



Stainless Steel Self Adjusting Lift Tables

Features

- Solid formed platform and base frame eliminating cracks and crevices
- Bolt together designs eliminating pinholes in welds and potential holes where bacteria can hide
- Delrin rollers and delrin bushings and bearings eliminating rust from teflon bushings and steel bearings leaking into your process
- Optional sanitation package that keeps your lift off the floor, making it simpler to clean your facility
- Air eliminates springs that will rust and crack and eventually fail
- Self adjusting and operator adjusted designs for the best ergonomic options
- Large rotator rollers for improved ergonomics



Bolt Together



Delrin Rollers and Bearings



Sanitation Package

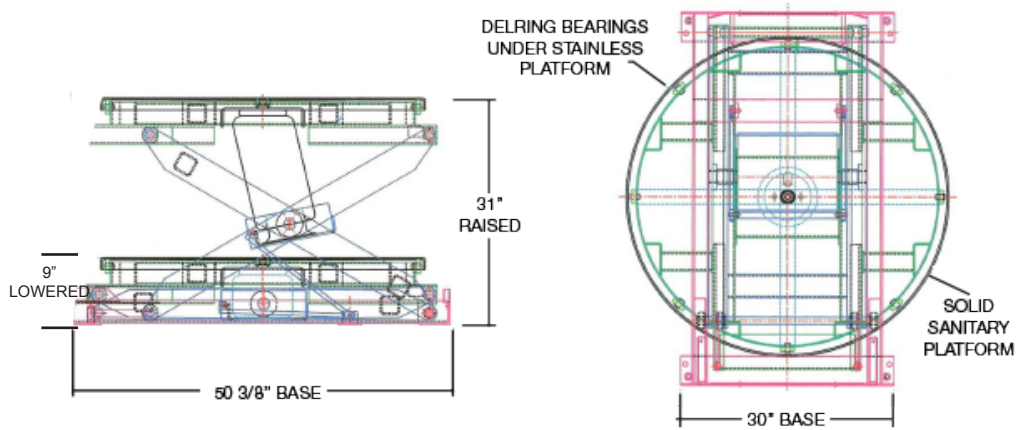
Options

- Stainless feet
- Fork pockets
- Stainless Bellows
- Clean room Bellows
- Fixed platform
- Rectangular platform



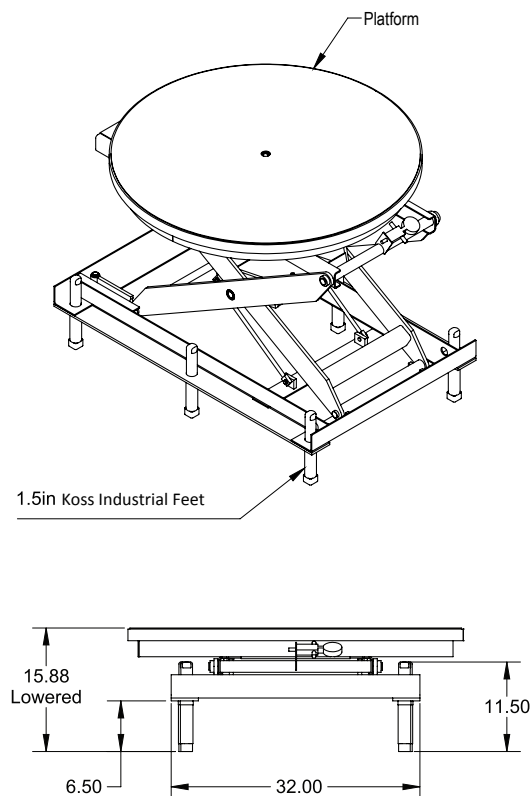
Stainless Steel Self Adjusting Lift Tables

Standard



Option 1

Adjustable feet



Option 2

Open platform | Side fork pockets

