

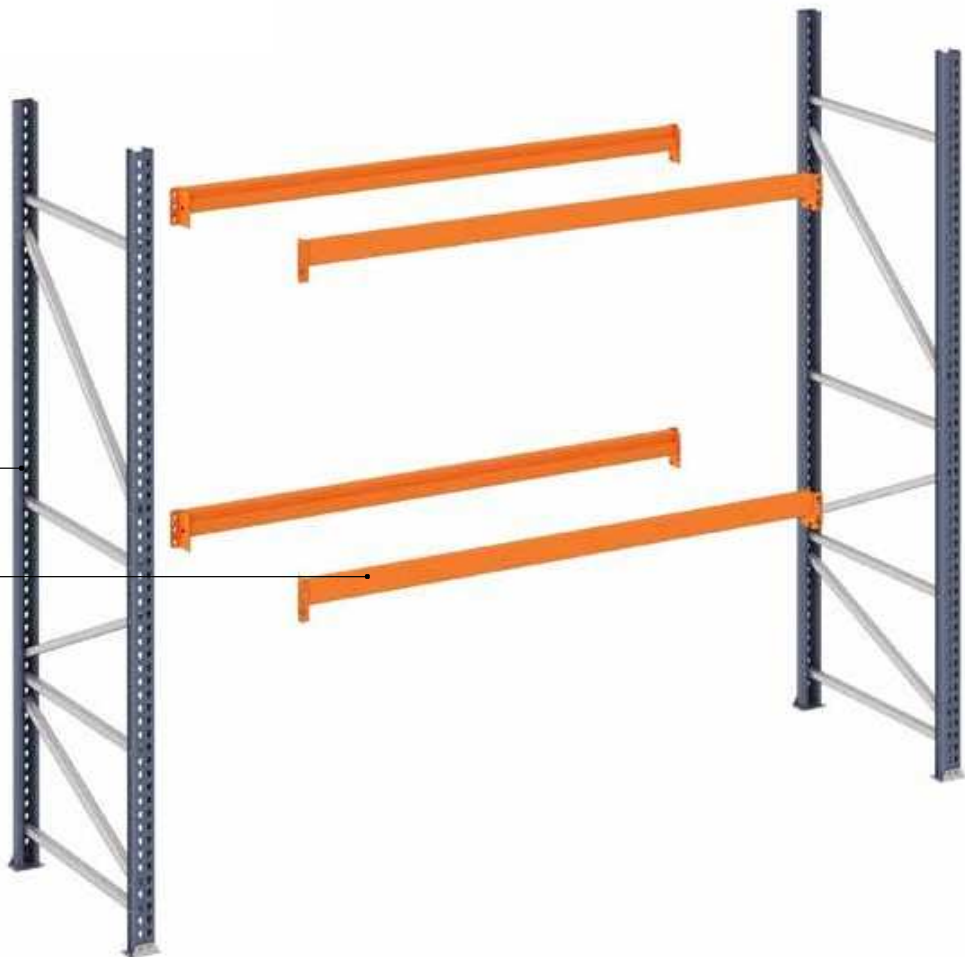
INSTALL INSTRUCTIONS

TEARDROP BOLTED PALLET RACK



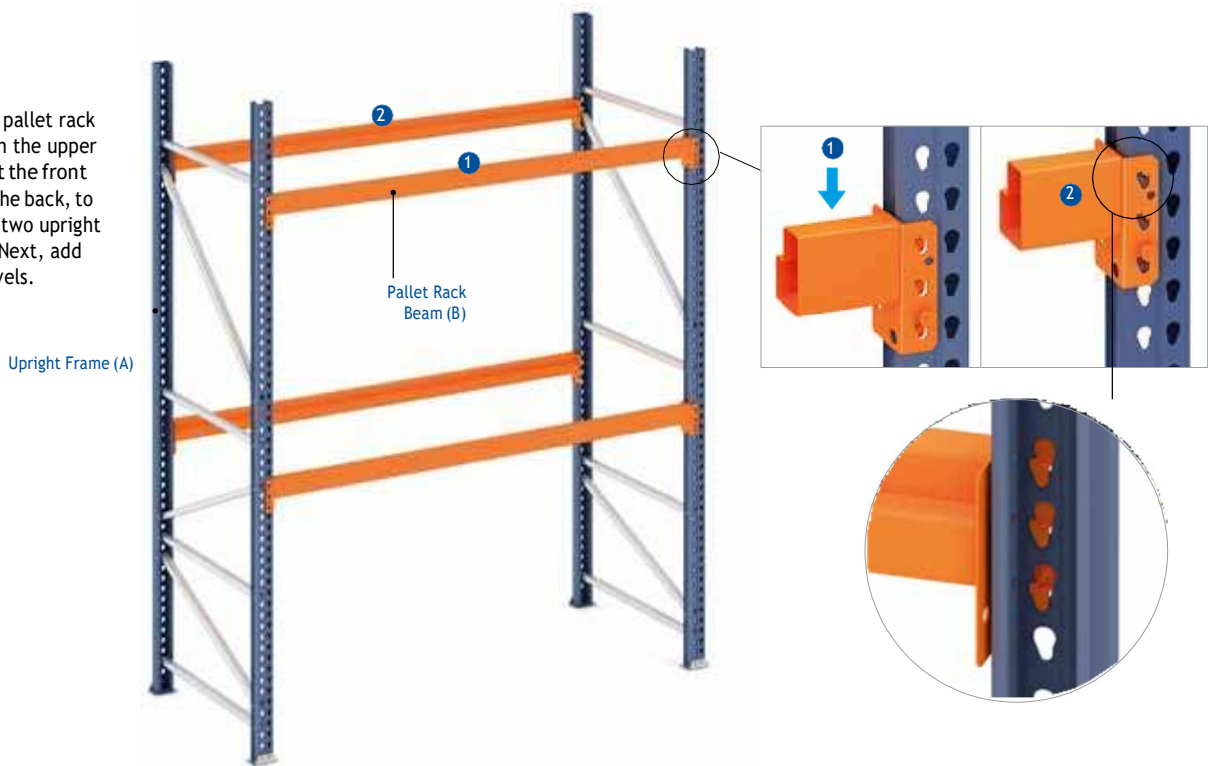
Upright Frame (A)

Pallet Rack Beam (B)



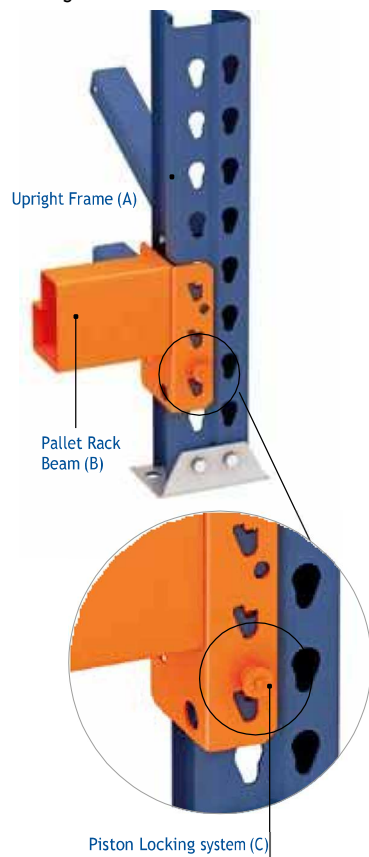
1

Position the pallet rack beams (B) on the upper level, one at the front and one at the back, to connect the two upright frames (A). Next, add the lower levels.



2

The pallet rack beams are fitted with a piston locking system (C) to prevent them from moving.



3

Follow the procedure described in the previous step to position the intermediate pallet rack beams.

If there are more than two levels, follow the procedure described in Step 1 starting with the upper levels.

