

# iGLO LED Corn Cob Series - 80W, With Cover

ENVIRONMENTALLY FRIENDLY, ENERGY EFFICIENT

**iGLOLED**  
IGLOLED.NET

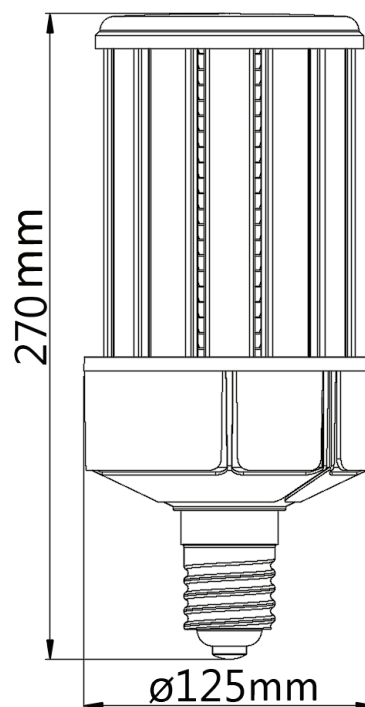


## Features

- cULus, DLC certificate
- E39 lamp base
- Warm/Natural/Cool/ Cold White
- 360° lighting, high CRI.
- IP64 Waterproof Rating
- Can be clear or frosted cover
- Internal driver, input voltage AC100-277V.
- New style and high efficient wide-range input.
- Long lifespan and good heat dissipation.
- Direct replacement for Metal Halide
- Easy Installation.
- Fits many different fixtures to replace traditional lamps.

## Applications

Warehouse, Garages, Factory Lighting,  
Street lighting, Homes, Offices, Hotels,  
Hospitals, Schools, Gardens, etc.



## PRODUCT SPECIFICATIONS

<b>iGLO LED Corn Cob Series:</b>	<b>GL80WCCE39WCSNC4000KUDX4.0</b> <b>GL80WCCE39WCSNC4500KUDX4.0</b> <b>GL80WCCE39WCSNC5000KUDX4.0</b> <b>GL80WCCE39WCSNC5700KUDX4.0</b>
Wattage:	80W
Lumens:	8800-9400 LM
CCT:	4000K/4500K/5000K/5700K
Input Voltage:	AC100-277V, 50-60 Hz
Power Factor:	>0.9
Efficacy:	110-116 lm/w
Equivalent:	150W CFL, 250W MHL/HPS/HID
CRI:	>80
Dimensions:	125*270 mm (E39)
Beam Angle:	360°
Operating Temperature:	-20°C to 45°C
Operating Humidity:	20% -70% RH
Storage Temperature:	-30°C to 80°C
Base:	E39
Application:	Indoor/Outdoor
Waterproof Rating:	IP64
Certificates:	cULus, DLC
Warranty:	5 Years

Box Size	Qty/Carton	Gross Weight	Net Weight
465*315*320mm	6	8.4 kg/CTN	6.4 kg/PCS

## PRODUCT SPECIFICATIONS

