



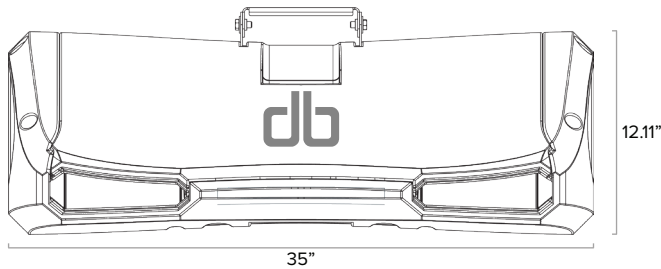
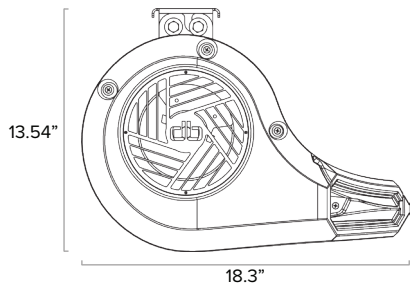
With an evenly distributed column of air, the 'DB' is the only high-velocity "quiet fan" on the industrial market today. This innovative, distinctly sleek design requires minimum space, while emulating the performance of our most popular 18" fan, the industry standard in pick module applications. Conceived with distribution and fulfillment centers in mind, this low-profile unit seamlessly combines the need for increased air movement with the noise reduction requirements commonly found in today's modern pick modules. **You asked... we listened... the DB was crafted.**



70% QUIETER 50% MORE CLEARANCE

THE ULTIMATE PICK MODULE FAN

SPECIFICATIONS



MOTOR	CFM	HP	FAN DIMENSIONS			AIR THROW DISTANCE	SHIPPING WEIGHT
			W	D	H		
TEAO	2480	1/2	35"	18.3"	12.1"	70'	42 lbs

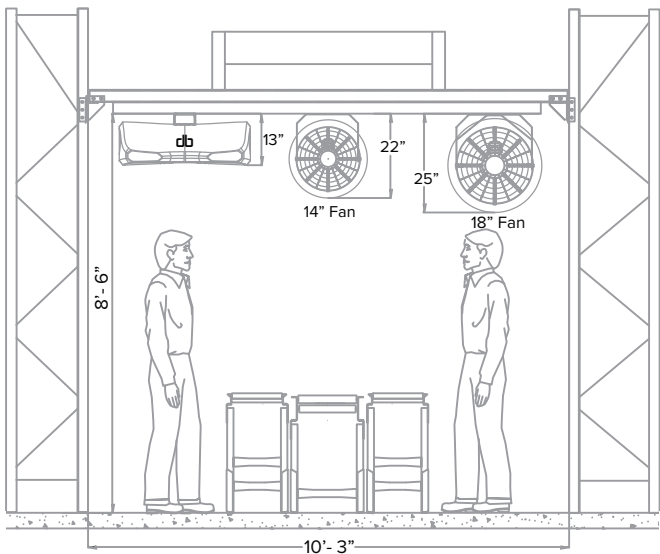
FEATURES

- Blower Wheels:** 6.25" x 6.5", GalvAlum
- Fan Housing:** High Impact Polypropylene
- Finger Guards:** OSHA Compliant, Laser-Cut Steel Inlet and HDPE Outlet
- Power Cord (115V Only):** 12' Pigtail
- RPM:** 1725
- Decibels:** 60 @ 3'
- Coverage:** 2700 ft²
- Warranty:** 2 Years

MOTOR RATED AMPS	115V	220V	277V	208-230V	460V
		5.75	2.9	2.5	1.8

ONLY **60** DECIBELS

SPACE COMPARISON



SOUND COMPARISON

