

MEDIUM OPEN FACE WALL PACK -45W LED

OUTDOOR



FEATURES

- Bronze die-cast aluminum housing
- Custom and factory select colors available (Contact factory for pricing)
- Silicon lens gasket and rubber housing gasket provide secure watertight seal
- Impact resistant frosted low glare prismatic polycarbonate lens with UV stabilizers
- 1/2" coin plugs with o-rings for conduit or optional photocell
- Occupancy & Bi-level Dim control options available
- Built in base bubble level for easy installation
- IP65 wet location rated
- 0-10V Dimmable Driver (100%-10%)
- Universal Voltage (120-277V)
- Lumileds LEDs
- Non-Cutoff Type IV
- Motion and daylight harvesting available
- 5 year warranty
- DesignLights Consortium® Qualified Luminaire



SUITABLE APPLICATIONS

- Schools
- Shopping Centers
- Warehouses
- General Area Lighting

| LED SYSTEMS INFORMATION | 4000K | 5000K |
|--|---------------|---------------|
| Calculated L ₇₀ (TM-21) | >75K | >75K |
| Delivered Lumens | 5,049 lm | 4,950 lm |
| Total Input Watts | 45 W | 45 W |
| Luminaire Efficacy Rating (LER) | 113 lm/W | 110 lm/W |
| Correlated Color Temperature (CCT) | 4000K | 5000K |
| Color Rendering Index (CRI) | >70 | >70 |
| Ambient Temperature Range | -40°F - 113°F | -40°F - 113°F |
| Universal Driver | 120-277 V | 120-277 V |
| LED System data above based on WPMO-45WLED-UNIV-40 & WPMO-45WLED-UNIV-50 LED Lumen Maintenance Estimates based on TM-21 projections for the light source at 25°C ambient. | | |

ORDERING GUIDE:

| Series | Watts | Driver | Color | Options |
|--|---------------|----------------------------|------------------------|---|
| WPMO Medium Open Face Wall Pack | 45WLED | UNIV 120-277 Driver | 50 40 | PCxxx Photocell (xx= voltage) WLOS On/Off Occupancy Sensor USB User Select Bi-Level Dim On/Off Sensor BDxx Preset Bi-Level Dim Sensor (xx=% eg. 20,30) BDxxPC Preset Bi-Level Dim Sensor w/ Photocell (xx=% eg. 20,30) SP1 10kA Max Univolt Surge Protector SP2 22kA Max Univolt Surge Protector FUSE/SXXX Single-line Voltage Fuse (120, 277, 347) FUSE/DXXX Single-line Voltage Fuse (208, 240, 480) WLOS Wet Location Rated Occupancy Sensor USB User Select Bi-Level Din w/ Occ. Sensor BDxx Preset Bi-Level Dim Sensor (xx=% eg. 20, 30) BDxxPC Preset Bi-Level Dim Sensor w/ Photocell (xx=% eg. 20, 30) SP480V2 20kA Max 480V Surge Protector FI/ILBCP05 Factory Installed 5W LED Battery Backup LEDBBCT -4°F - 80°F 10W Battery Backup SD480 480V Step Down Transformer SD347 347V Step Down Transformer |

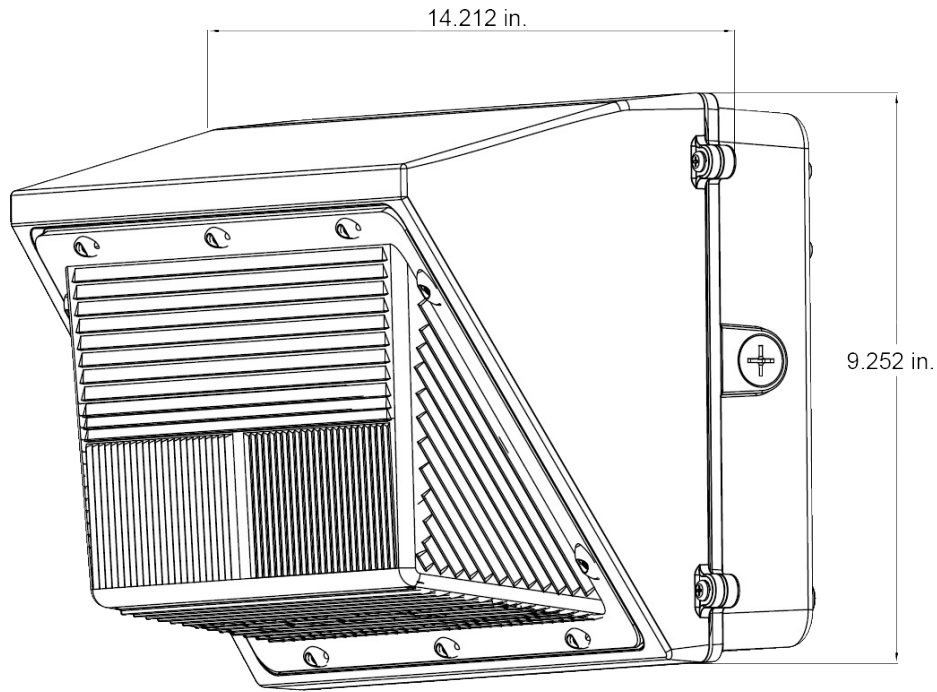


REPLACES
175W MH

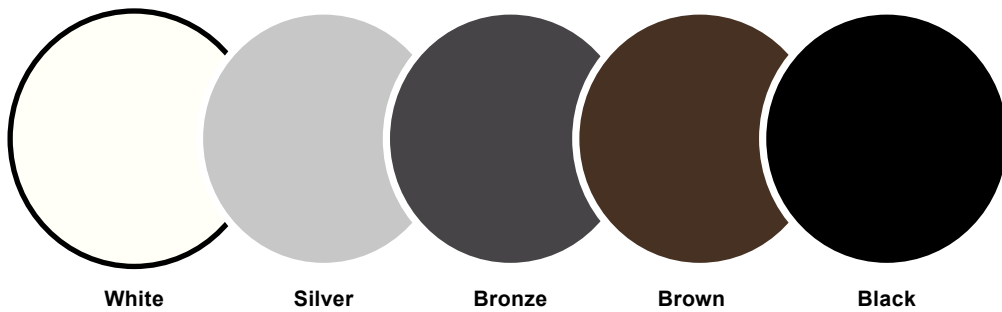


MEDIUM OPEN FACE WALL PACK - 45W LED

LINE DRAWING



FACTORY SELECT COLOR GUIDE



White

Silver

Bronze

Brown

Black

| COLOR NAME AND DESCRIPTION | SHEEN | PRODUCT | VENDOR | PRICING |
|--------------------------------------|------------|----------|------------------|-----------------------------|
| WHT - ILP White | SEMI GLOSS | POLANE T | SHERWIN-WILLIAMS | Contact Factory for Pricing |
| SLV - ILP Silver - Ultrasonic Chrome | GLOSS | POLANE T | SHERWIN-WILLIAMS | Contact Factory for Pricing |
| BRZ - ILP Bronze - std. & in stock | SEMI GLOSS | POLANE T | SHERWIN-WILLIAMS | Standard |
| BRN - ILP Brown | SEMI GLOSS | POLANE T | SHERWIN-WILLIAMS | Contact Factory for Pricing |
| BLK - ILP Black | SEMI GLOSS | POLANE T | SHERWIN-WILLIAMS | Contact Factory for Pricing |

**COLORS SHOWN ABOVE ARE TO BE USED AS REFERENCE, NOT EXACT MATCH.
PLEASE REQUEST PAINT CHIPS FOR EXACT MATCH.**

MEDIUM OPEN FACE WALL PACK - 45W LED

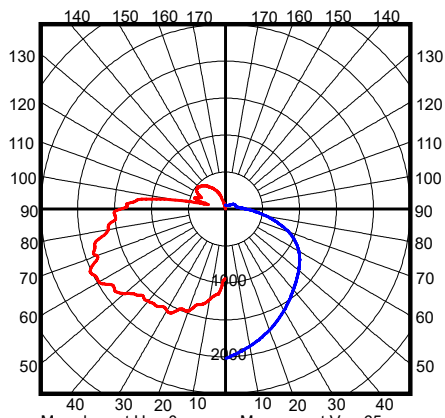
PHOTOMETRIC REPORTS

WPMO-45WLED-UNIV-40

SUMMARY DATA

| | |
|---------------------------------|-----------------|
| HEMISPHERES TESTED: | BOTH |
| EFFICIENCY (Downlight/Uplight): | 82.0 % / 17.6 % |
| EFFICIENCY (Street/House): | 88.4 % / 11.2 % |
| ROADWAY CLASSIFICATION: | TYPE IV VS |
| CUTOFF CLASSIFICATION: | NON-CUTOFF |
| LUMENS: | 5216.5 |
| INPUT WATTS: | 44.26 |

CANDELA PLOT



Max plane at H = 0 Max cone at V = 65
MAX CANDLEPOWER: 2022.96

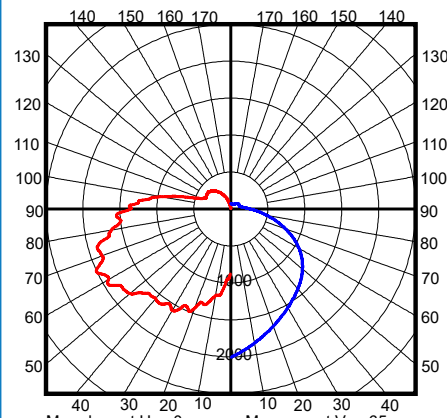
Photometric values based upon tests performed in compliance w/ LM-79.
Download IES files at www.ilp-inc.com

WPMO-45WLED-UNIV-50

SUMMARY DATA

| | |
|---------------------------------|-----------------|
| HEMISPHERES TESTED: | BOTH |
| EFFICIENCY (Downlight/Uplight): | 79.1 % / 20.3 % |
| EFFICIENCY (Street/House): | 87.6 % / 11.7 % |
| ROADWAY CLASSIFICATION: | TYPE IV VS |
| CUTOFF CLASSIFICATION: | NON-CUTOFF |
| LUMENS: | 5223.3 |
| INPUT WATTS: | 44.02 |

CANDELA PLOT



Max plane at H = 0 Max cone at V = 65
MAX CANDLEPOWER: 2010.56

Photometric values based upon tests performed in compliance w/ LM-79.
Download IES files at www.ilp-inc.com