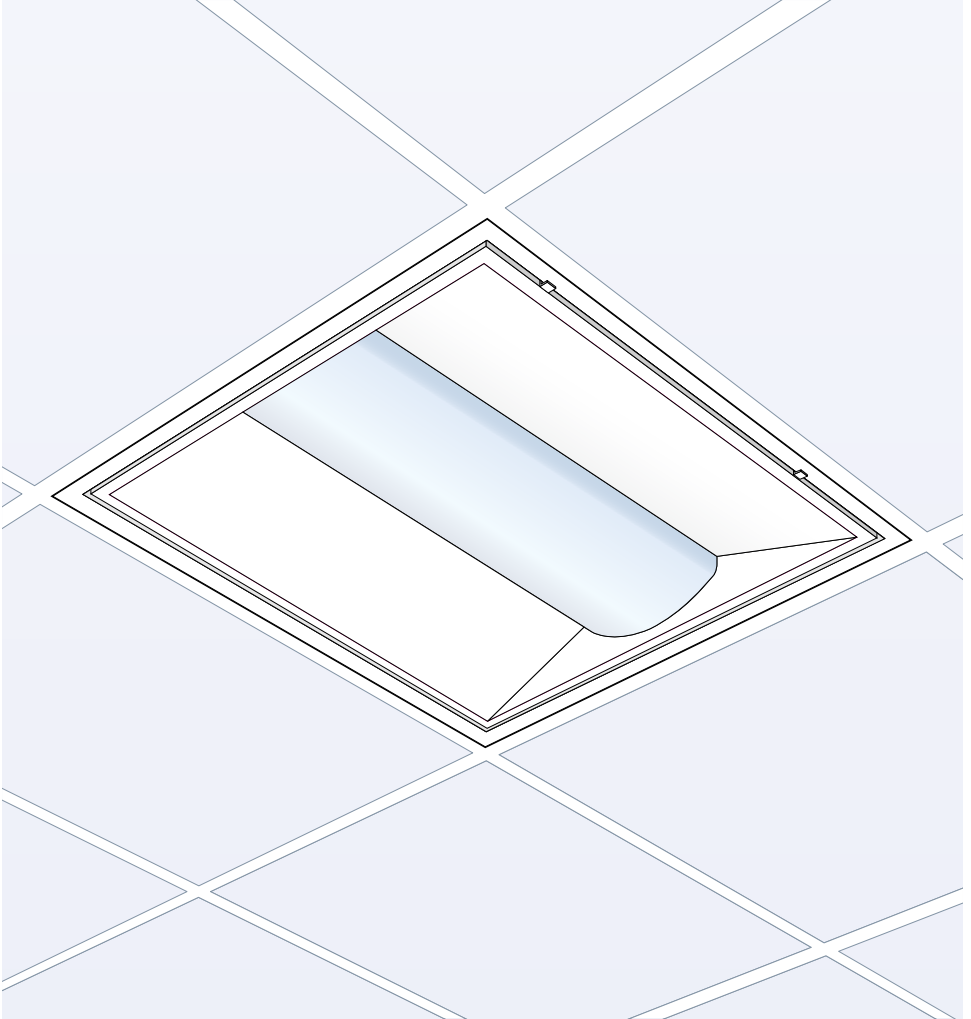


LITETRONICS®

LED Volumetric Retrofit

Installation Instructions

For 2'x2', and 2'x4' LED Volumetric Retrofits (VR Series)



PLEASE READ THESE INSTRUCTIONS BEFORE INSTALLATION

INTRODUCTION

The LED Volumetric Retrofit fits in place of your existing troffer lens/diffuser providing an even surface of light and allowing you to upgrade to cost effective LED technology. The two piece design combines a frame and the lighting panel. The robust frame fits onto the ceiling grid and creates a stable insert. The LED Volumetric Retrofit is latched onto the frame and swung into final position. The LED lighting panel fits inside most existing troffers. It provides quality light, offers easy installation, efficient to modernize the look of your fixtures, and reduces your energy use.

SAFETY INSTRUCTIONS AND WARNINGS

CRITICAL SAFETY INSTRUCTIONS: Installation should only be conducted by a qualified electrician in accordance with NEC and any relevant local building codes.

LED VOLUMETRIC RETROFIT WARNINGS: Risk of fire or electric shock. LED Volumetric Retrofit kit installation requires knowledge of luminaire electrical system. If not qualified, do not attempt installation. Contact a qualified electrician. Luminaire wiring and electrical parts may be damaged when drilling for installation of LED Volumetric Retrofit kit. Check for enclosed wiring and components. Do not make or alter any open holes in the enclosure of wiring or electrical components during kit installation.

WARNING: Risk of fire or electric shock. Install this kit only in luminaires that have the construction features and dimensions shown in the photographs and/or drawings and where the input rating of the retrofit kit does not exceed the input rating of the luminaire. Only those open holes indicated in the photographs and/or drawings may be made or altered as a result of kit installation. Do not leave any other open holes in an enclosure of wiring or electrical components.

To prevent wiring damage or abrasion, do not expose wiring to edges of sheet metal or other sharp objects.

This LED Volumetric Retrofit kit shall only be installed into a UL/CUL listed luminaire with a steel enclosure.

DISCONNECT SAFETY INSTRUCTIONS:

WARNING - This is a current rated device. Use in applications involving amperage beyond its rating can be dangerous and cause electrical fires. See note on this page for allowable current and voltage levels and do not exceed those levels.

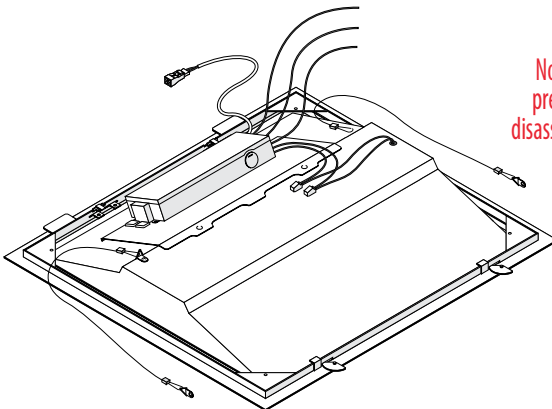
DANGER - NEVER remove wires from product as contact with electricity can cause serious injury or death. Shut off power at the circuit breaker or remove fuse when installing this product.

SAFETY NOTICE - Improperly installed electrical wiring can be dangerous and cause electrical fires. This product must be used in accordance with the current rating and wire sizes listed.

COPPER to COPPER ONLY. Do not use on Aluminum. Temperature rating: 105° C (221° F) maximum. Flame Rated UL94V-0.

This product is intended for use in a UL/C-UL listed Fluorescent Recessed or surface-mounted luminaire, Type IC or Non-IC, with the dimensions specified.

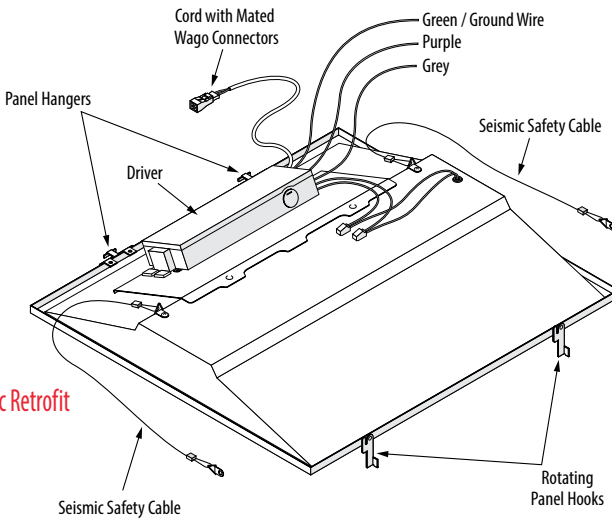
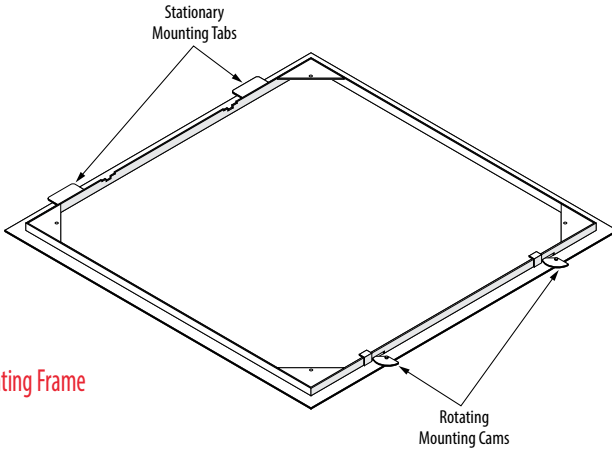
SAVE THESE INSTRUCTIONS



Note: Kit comes with Volumetric pre-assembled to frame. You will disassemble the frame and Volumetric for installation.

WHAT COMES IN THE BOX

LED Volumetric Retrofit base product comes with following standard parts:



THIS LUMINAIRE HAS BEEN MODIFIED AND NO LONGER OPERATES THE ORIGINAL INTENDED LAMP.

(1) Luminaire Label



Section 1

LED VOLUMETRIC RETROFIT INSTALLATION

READ ALL INSTRUCTIONS BEFORE BEGINNING INSTALLATION

Product Preparation

Carefully remove Volumetric Retrofit, Frame and Driver from the packaging. Disassemble the Volumetric from the frame by rotating the panel hooks on the Volumetric to release from the frame. Inspect product for defects due to shipping.

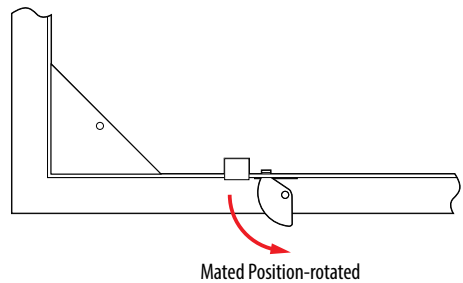
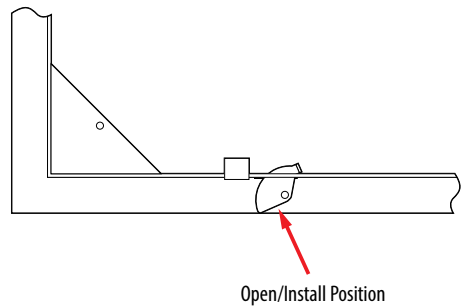
Troffer Preparation

Turn off the power to the fixture from the circuit breaker. Remove the original lens/diffuser and set aside. Then disconnect the ballast wires from the incoming line.

Mounting the frame to T-Grid underneath the troffer:

NOTE: Do not attempt to use a 2'x2' frame assembly to retrofit a 2'x4' ceiling space.

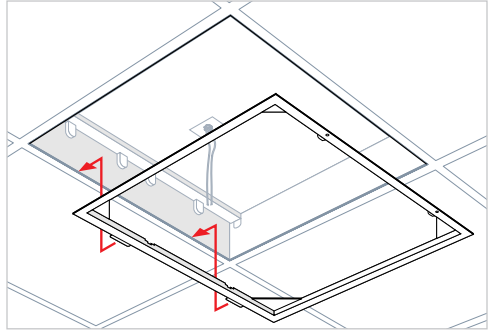
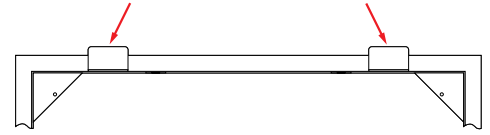
1. Ensure that the rotating mounting cams (2) on the frame are in the open or install position.



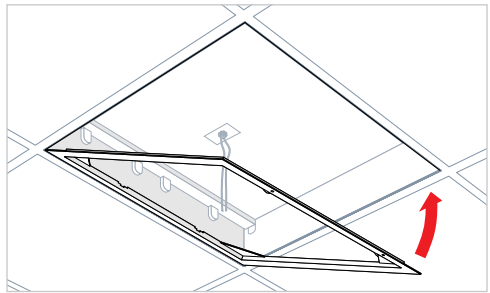
Section 1

LED VOLUMETRIC RETROFIT INSTALLATION

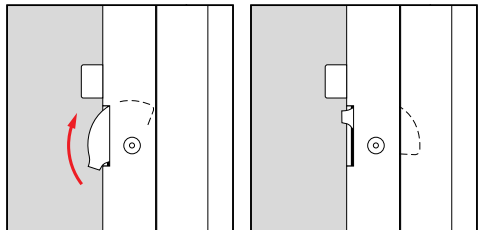
2. Locate the stationary mounting tabs on the frame (2). Insert these tabs, on top of the grid ceiling "T" rail, and beneath the troffer.



3. Push the frame up and flush on the opposite side.

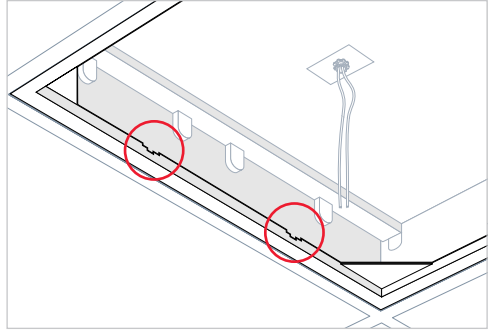


4. Rotate the mounting cams on the frame (2) to the engaged position. The mounting cams should be flush to the T-rail grid cams and be resting on top of drop ceiling "T" grid. The frame is now installed. Inspect installed frame to ensure the gaps from side to side are even.

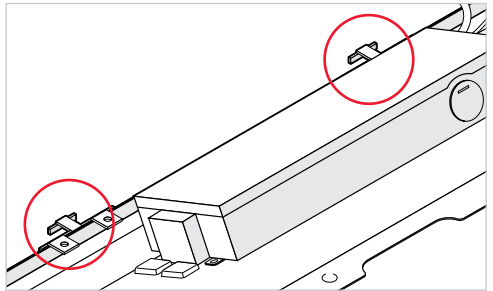


Mounting the LED Volumetric Retrofit to the Mounting Frame:

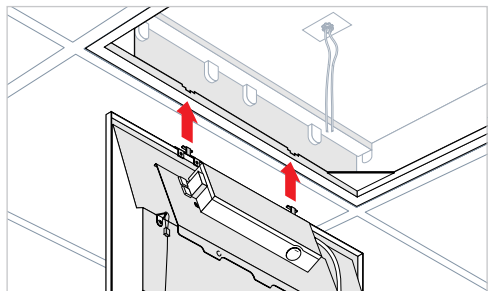
5. Locate the two panel hanger slots on the installed frame.



6. Locate the two panel hangers on the side edge of the Volumetric Retrofit (one shown) opposite the panel hooks.



7. Insert the panel hangers into the frame details, (angle-in and center). This will allow the panel to hang freely, and facilitate electrical hook-ups.

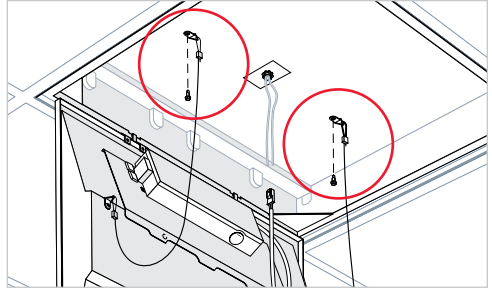


Section 1

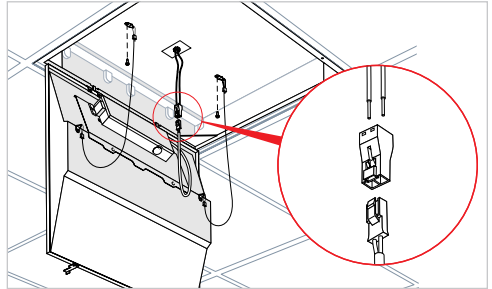
LED VOLUMETRIC RETROFIT INSTALLATION

8. Attach the two provided seismic safety cables from the lamp to the troffer using self-tapping screws as needed. Screw tabs on other end of cables to inside of troffer.

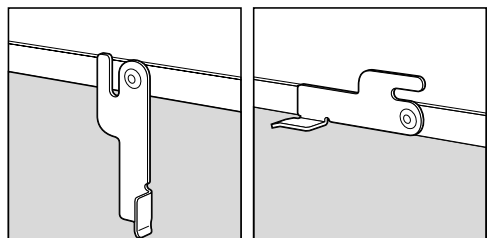
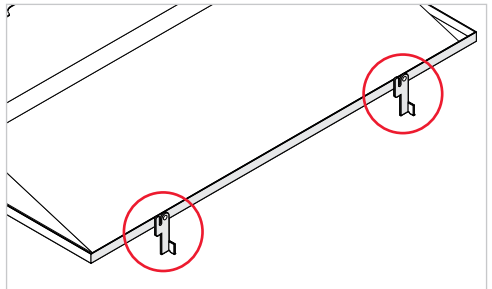
Note: The seismic safety cables come pre-attached to the lamp. Attach the other end to the troffer, not the frame.



9. From the incoming electrical line, insert stripped wires into the male disconnect. Connect ground wire (shown on page 3) to troffer.
10. Hook up the power to the LED Volumetric Retrofit using Wago quick connect. Apply luminaire label to troffer.



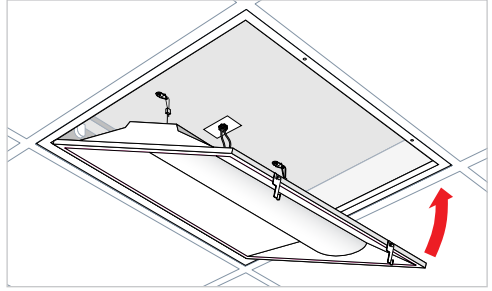
11. Locate the panel hooks (2) on the LED Volumetric Retrofit and rotate them to the open or install position.



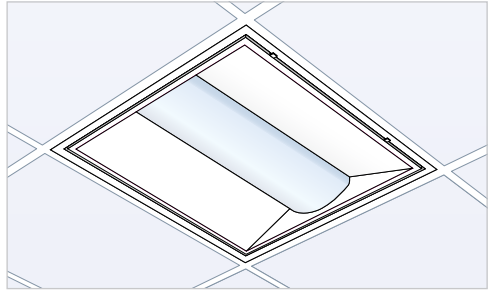
Section 1

LED VOLUMETRIC RETROFIT INSTALLATION

12. Rotate the LED Volumetric Retrofit up so it is even with the ceiling. Rotate or engage the hooks (2) so that they engage the frame cross bars. Panel should be flush to ceiling.

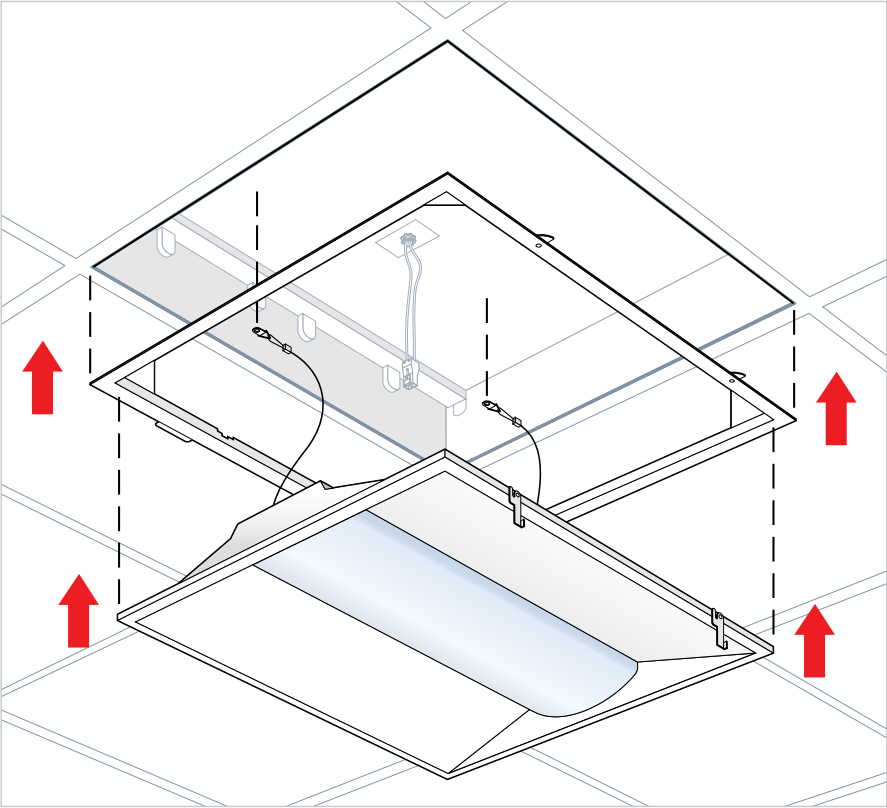


13. Restore power. The LED Volumetric Retrofit installation is now complete.



KEEP THIS MANUAL FOR FUTURE REFERENCE.

**LED VOLUMETRIC RETROFIT
INSTALLATION DIAGRAM**



NOTES

NOTES

Thank you for choosing

LITETRONICS®

6969 W. 73rd Street
Bedford Park, IL 60638

WWW.LITETRONICS.COM

CustomerService@Litetronics.com or 1-800-860-3392

