

VALUE STRIP

COMMERCIAL



407-478-3759
www.ilp-inc.com

FEATURES

- Architectural design LED Strip fixture
- Steel housing with white powdercoat finish
- 4ft & 8ft lengths available
- Multiple dimming & sensor options to fully control occupied & unoccupied light levels
- Round frosted acrylic lens
- Ceiling, wall, or suspension mounting options
- Junction box cover included
- 4000K and 5000K color options available
- 0-10V Dimmable Driver (100% - 10%)
- 120V-277V Universal Voltage
- 5 Year Warranty
- UL Damp Location Rated
- DesignLight Consortium® Premium Qualified Luminaire



SUITABLE APPLICATIONS

- Retail Applications
- Warehouses
- Schools
- Hallways
- Distribution Centers
- Manufacturing Facilities

| LED INFO | | 25W | 35W | 46W | | 46W | 65W | 90W |
|---|-----|--------------|--------------|--------------|-----|--------------|--------------|--------------|
| Calculated L ₇₀ (TM-21) Hours | 4FT | >100K | >100K | >100K | 8FT | >100K | >100K | >100K |
| Delivered Lumens | | 3,325 lm | 4,620 lm | 5,980 lm | | 5,980 lm | 8,580 lm | 11,700 lm |
| Total Input Watts | | 25 W | 35 W | 46 W | | 46 W | 65 W | 90 W |
| Luminaire Efficacy Rating (LER) | | 133 lm/W | 132 lm/W | 130 lm/W | | 130 lm/W | 132 lm/W | 130 lm/W |
| Correlated Color Temperature (CCT) | | 4000K | 4000K | 4000K | | 4000K | 4000K | 4000K |
| Color Rendering Index (CRI) | | >80 | >80 | >80 | | >80 | >80 | >80 |
| Ambient Range | | -4°F - 122°F | -4°F - 122°F | -4°F - 122°F | | -4°F - 122°F | -4°F - 122°F | -4°F - 122°F |
| LED System data based on VS4-25WLED-U-40-FRAL, VS4-35WLED-U-40-FRAL, VS4-46WLED-U-40-FRAL, VS8-46WLED-U-40-FRAL, VS8-65WLED-U-40-FRAL, & VS8-90WLED-U-40-FRAL. LED Lumen maintenance estimates based on TM-21 projections for the light source at 25°C ambient. | | | | | | | | |

ORDERING GUIDE:

| Series | Watts | Driver | Color | Options | |
|--------------------|--------|-------------------|-------|---|--|
| VS4 Slim Strip 4ft | 25WLED | U 120-277V Driver | 40 | <input checked="" type="checkbox"/> FRAL FIOS BDxx USBD FMB* HUB 3/4** HB-XX-18Y-PAD SD347 SD480 FI/ILBCP07 FI/ILBCP010 CORDX CORD/6FT/5WIRE/600V CORD/6FT/6WIRE/600V CORD/6FT/L7-15P | Frosted Acrylic Lens (Standard) On/Off Occupancy Sensor (End Mounted) Preset Bi-level Dim Sensor (xx = % ie. 20, 30) (End Mounted) User Select Bi-level Dim Occ. Sensor (End Mounted) Fixture Mounting Box (Use with HUB for single point mounting) 3/4" Conduit Hub (For center pendant mount only) (Use with FMB) Y-Toggle Cable System (XX = in) 347V Step Down Transformer 480V Step Down Transformer 7W LED Factory Installed Battery Backup 10W LED Factory Installed Battery Backup Cord (x=ft) 6ft 5 Wire cord with 3 leads attached to power and 2 leads attached to dimming (120V-277V) 6ft 6 Wire cord with 3 leads for fixture power, 1 lead for battery backup power, and 2 leads for dimming (120V-277V) 6 foot cord with 277V, 15 Amp Twist Lock Plug |
| | 35WLED | | 50 | | |
| VS8 Slim Strip 8ft | 46WLED | U 120-277V Driver | 40 | <input checked="" type="checkbox"/> FRAL FIOS BDxx USBD FMB* HUB 3/4** HB-XX-18Y-PAD SD347 SD480 FI/ILBCP07 FI/ILBCP010 CORDX CORD/6FT/5WIRE/600V CORD/6FT/6WIRE/600V CORD/6FT/L7-15P | Frosted Acrylic Lens (Standard) On/Off Occupancy Sensor (End Mounted) Preset Bi-level Dim Sensor (xx = % ie. 20, 30) (End Mounted) User Select Bi-level Dim Occ. Sensor (End Mounted) Fixture Mounting Box (Use with HUB for single point mounting) 3/4" Conduit Hub (For center pendant mount only) (Use with FMB) Y-Toggle Cable System (XX = in) 347V Step Down Transformer 480V Step Down Transformer 7W LED Factory Installed Battery Backup 10W LED Factory Installed Battery Backup Cord (x=ft) 6ft 5 Wire cord with 3 leads attached to power and 2 leads attached to dimming (120V-277V) 6ft 6 Wire cord with 3 leads for fixture power, 1 lead for battery backup power, and 2 leads for dimming (120V-277V) 6 foot cord with 277V, 15 Amp Twist Lock Plug |
| | 65WLED | | 50 | | |
| | 90WLED | | 50 | | |

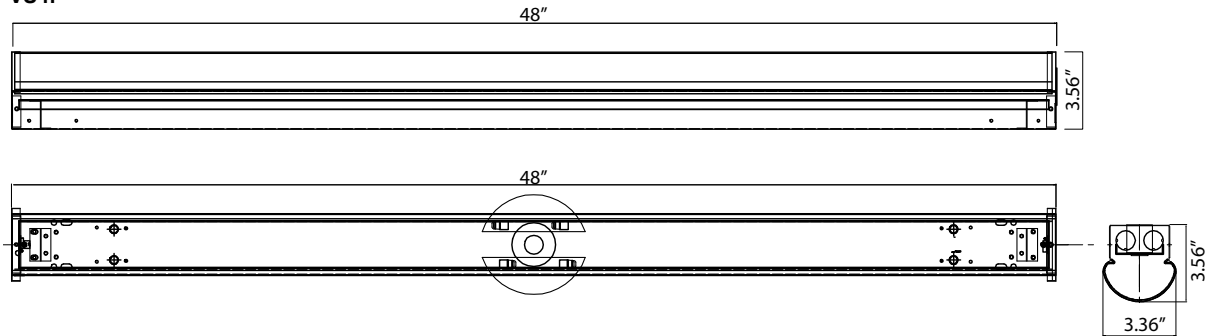
*Available for 4ft only

VALUE STRIP

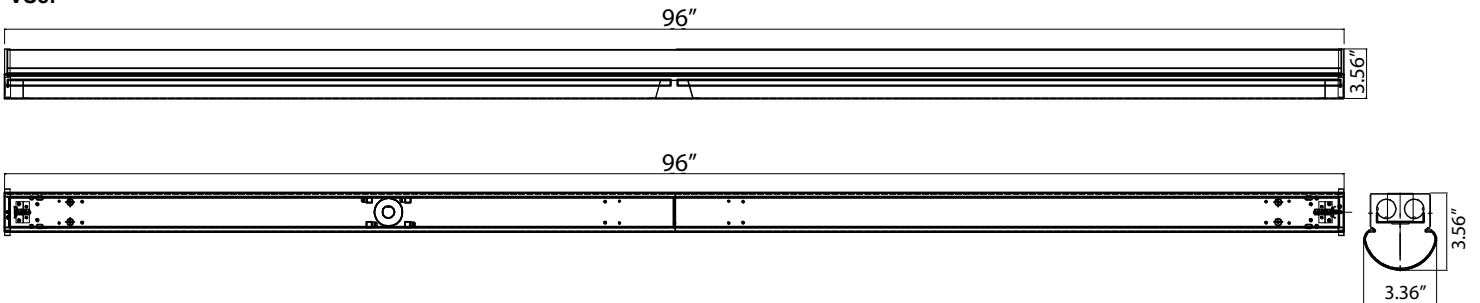
COMMERCIAL

LINE DRAWINGS

VS4:

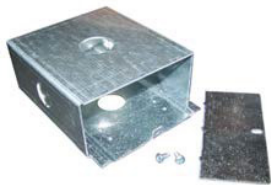


VS8:



MOUNTING OPTIONS

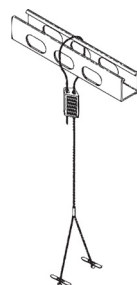
- **FMB** - Fixture Mounting Box (Requires HUB) (Available for 4ft only)
- **HUB 3/4"** - 3/4" Conduit Hub (Used with FMB for Single point mounting) (Available for 4ft only)
- **HB-XX-18Y-PAD** - Y-Toggle Cable System (XX = in)



FMB



HUB 3/4"



HB-XX-18Y-PAD

VALUE STRIP

COMMERCIAL

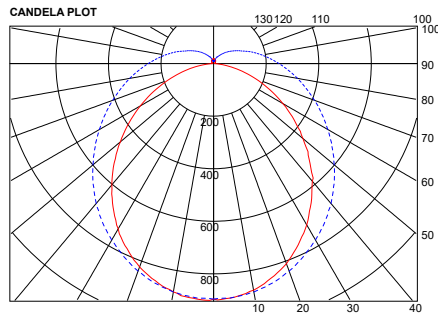
PHOTOMETRIC REPORTS

VS4-25WLED-U-40-FRAL

SUMMARY DATA

| | |
|-------------------------|-------------|
| HEMISPHERES TESTED: | BOTH |
| EFFICIENCY (Total): | 100.0 % |
| EFFICIENCY (Downlight): | 87.8% |
| EFFICIENCY (Uplight): | 12.2% |
| CIE CLASSIFICATION: | SEMI-DIRECT |
| LUMENS/LAMP: | 3233.858 |
| INPUT WATTS: | 24.5 |

PLANE AND CONE DIAGRAM



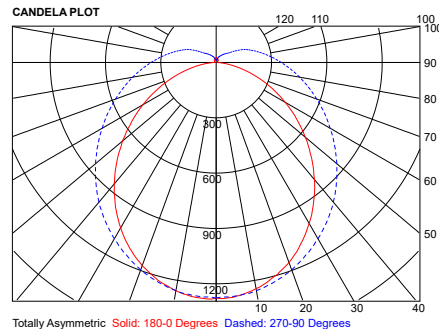
Photometric values based upon tests performed in compliance with LM-79. IES files can be downloaded at www.ilp-inc.com

VS4-35WLED-U-40-FRAL

SUMMARY DATA

| | |
|-------------------------|-------------|
| HEMISPHERES TESTED: | BOTH |
| EFFICIENCY (Total): | 100.0 % |
| EFFICIENCY (Downlight): | 88.2% |
| EFFICIENCY (Uplight): | 11.8% |
| CIE CLASSIFICATION: | SEMI-DIRECT |
| LUMENS/LAMP: | 4578.73 |
| INPUT WATTS: | 32.9 |

PLANE AND CONE DIAGRAM



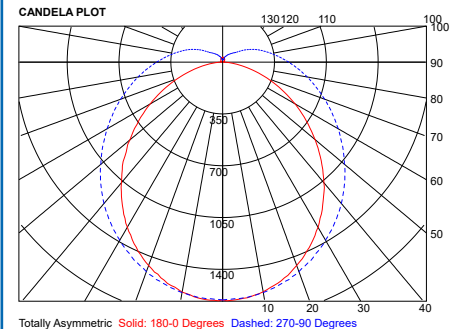
Photometric values based upon tests performed in compliance with LM-79. IES files can be downloaded at www.ilp-inc.com

VS4-46WLED-U-40-FRAL

SUMMARY DATA

| | |
|-------------------------|-------------|
| HEMISPHERES TESTED: | BOTH |
| EFFICIENCY (Total): | 100.0 % |
| EFFICIENCY (Downlight): | 88.4% |
| EFFICIENCY (Uplight): | 11.6% |
| CIE CLASSIFICATION: | SEMI-DIRECT |
| LUMENS/LAMP: | 5758.761 |
| INPUT WATTS: | 45.1 |

PLANE AND CONE DIAGRAM



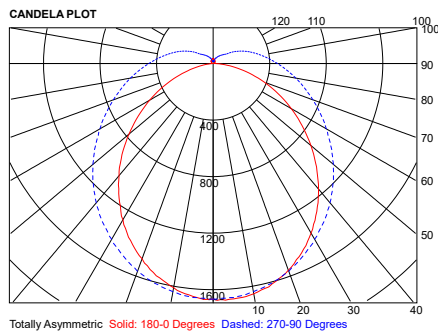
Photometric values based upon tests performed in compliance with LM-79. IES files can be downloaded at www.ilp-inc.com

VS8-46WLED-U-40-FRAL

SUMMARY DATA

| | |
|-------------------------|-------------|
| HEMISPHERES TESTED: | BOTH |
| EFFICIENCY (Total): | 100.0 % |
| EFFICIENCY (Downlight): | 88.4% |
| EFFICIENCY (Uplight): | 11.6% |
| CIE CLASSIFICATION: | SEMI-DIRECT |
| LUMENS/LAMP: | 5936.556 |
| INPUT WATTS: | 45.8 |

PLANE AND CONE DIAGRAM



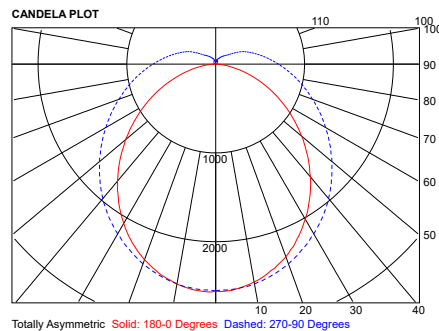
Photometric values based upon tests performed in compliance with LM-79. IES files can be downloaded at www.ilp-inc.com

VS8-65WLED-U-40-FRAL

SUMMARY DATA

| | |
|-------------------------|-------------|
| HEMISPHERES TESTED: | BOTH |
| EFFICIENCY (Total): | 100.0 % |
| EFFICIENCY (Downlight): | 88.2% |
| EFFICIENCY (Uplight): | 11.8% |
| CIE CLASSIFICATION: | SEMI-DIRECT |
| LUMENS/LAMP: | 9157.46 |
| INPUT WATTS: | 65.8 |

PLANE AND CONE DIAGRAM



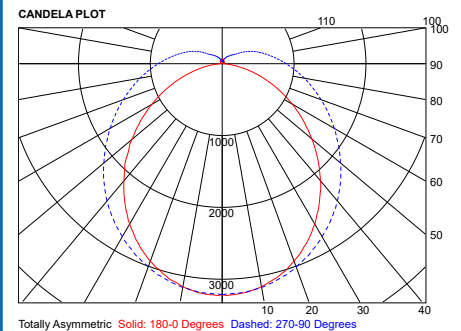
Photometric values based upon tests performed in compliance with LM-79. IES files can be downloaded at www.ilp-inc.com

VS8-90WLED-U-40-FRAL

SUMMARY DATA

| | |
|-------------------------|-------------|
| HEMISPHERES TESTED: | BOTH |
| EFFICIENCY (Total): | 100.0 % |
| EFFICIENCY (Downlight): | 88.4% |
| EFFICIENCY (Uplight): | 11.6% |
| CIE CLASSIFICATION: | SEMI-DIRECT |
| LUMENS/LAMP: | 11517.52 |
| INPUT WATTS: | 90.2 |

PLANE AND CONE DIAGRAM



Photometric values based upon tests performed in compliance with LM-79. IES files can be downloaded at www.ilp-inc.com