

LITETRONICS®

LED Stairwell Fixture

Installation Instructions

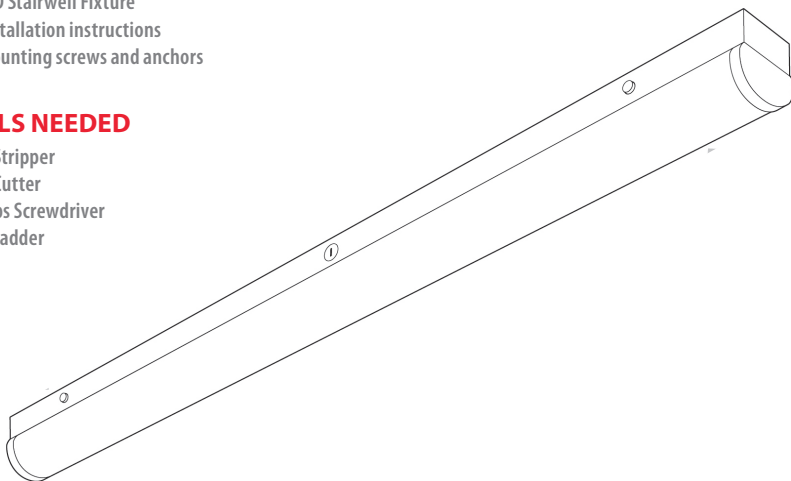
Ordering Code: SWF Series

WHAT COMES IN THE BOX

- (1) LED Stairwell Fixture
- (1) Installation instructions
- (3) Mounting screws and anchors

TOOLS NEEDED

- Wire Stripper
- Wire Cutter
- Phillips Screwdriver
- Step Ladder



SAFETY INSTRUCTIONS AND WARNINGS

When using electrical equipment, basic safety precautions should always be observed.

Read and follow all safety instructions.

- Installation should only be conducted by a qualified electrician in accordance with NEC and any relevant local building codes.
- Risk of fire or electric shock. Fixture installation requires knowledge of luminaires electrical systems. If not qualified, do not attempt installation. Contact a qualified electrician.
- Be certain electrical power is OFF before and during installation and maintenance.
- Fixtures must be connected to a wiring system with an equipment-grounding conductor.
- Make sure the supply voltage is the same as the rated luminaire fixtures voltage.
- Only those open holes indicated in the photographs and/or drawings may be made or altered as a result of this kit strip installation. Do not leave any other open holes in an enclosure of wiring or electrical components.
- To prevent wiring damage or abrasion, do not expose wiring to edges of sheet metal or sharp objects.
- Suitable for damp locations.

INSTALLATION

BEFORE BEGINNING INSTALLATION, TURN OFF POWER AT THE CIRCUIT BREAKER.

1. Set the Stairwell Fixture on a flat surface. Open the fixture by squeezing the locking mechanism simultaneously on each side of the fixture while gently pulling the lamp from the housing. See figure A.
2. Locate the surface mounting holes. Raise empty fixture into place and drive two mounting screws directly into the mounting surface/anchors. See figure B.
 - *Note: Make sure power wires are inserted through the housing cover plate before securing fixture to the surface.*
 - *For reference, mounting holes are spaced 36.22" on the 4' fixture.*
3. Once fixture is secure, make wiring connections.

Black = AC Line

White = AC Neutral

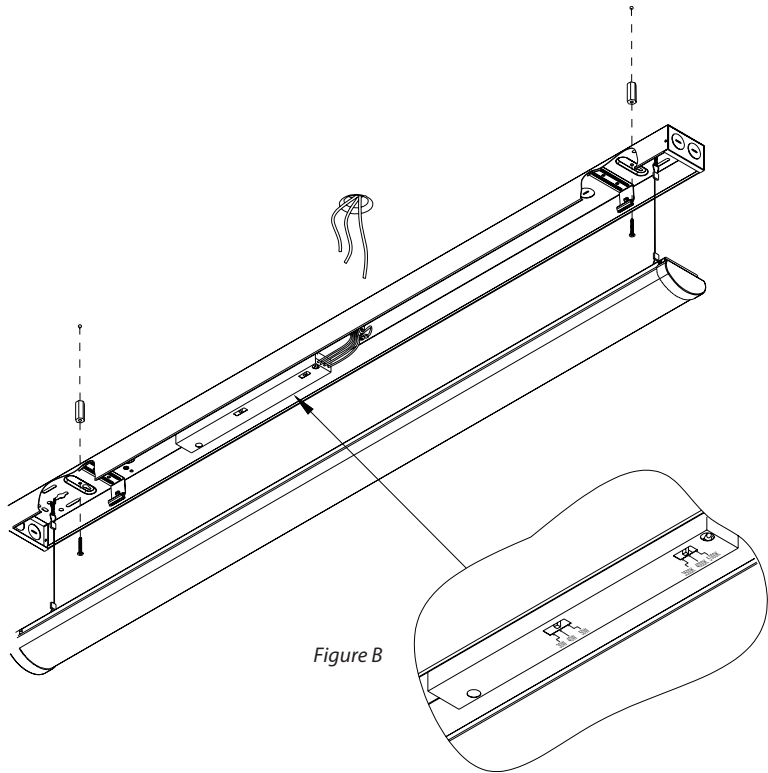
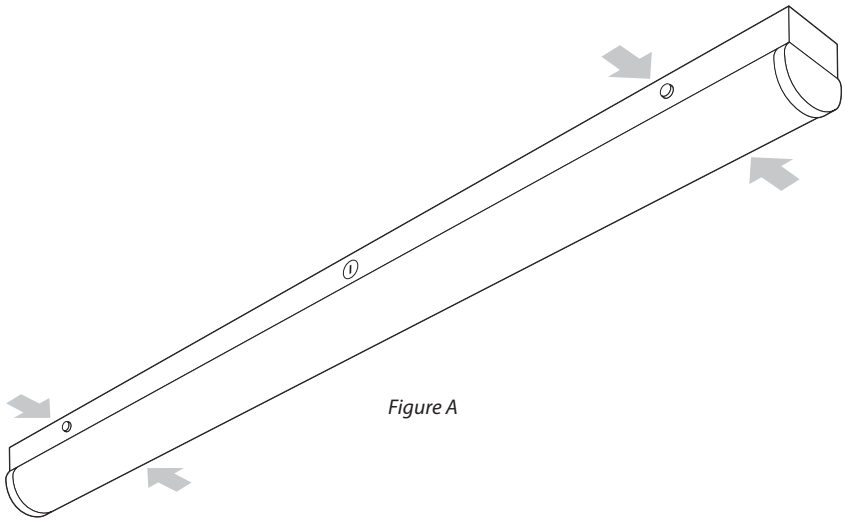
Green = Ground

4. Next, select the correct wattage and color temperature by adjusting the slide switches located on the driver. See figure B.
 - *Wattage settings: 50W (6,500 lumens) | 40W (5,200 lumens) | 30W (3,900 lumens)*
 - *CCT settings: 5000K | 4000K | 3500K*
5. Now close the fixture by raising the lamp up into the housing until it snaps into the locking mechanism.
6. Restore power and your installation is complete.

SENSOR PROGRAMMING

The LED Stairwell Fixture includes a built-in microwave sensor that enables occupancy sensing and daylight harvesting. These settings can be adjusted via remote control (part # SCR053). Below are the default settings that will be initially active.

SENSITIVITY	HOLD TIME	DAY LIGHT	STAND BY LEVEL	STAND BY TIME
100%	10 Seconds	30 lux	30%	60 minutes



Thank you for choosing

LITETRONICS®

6969 W. 73rd Street
Bedford Park, IL 60638

www.Litetronics.com

CustomerService@Litetronics.com or 1-800-860-3392



The information and product specifications contained in these instructions are based upon data believed to be accurate at the time of printing. This information is subject to change without notice and without incurring liability. If you have questions regarding specific product details, please contact us at 800-860-3392 or via email at customerservice@litetronics.com.

To check for an updated version of these instructions, please visit www.litetronics.com.