

TD0400

Mechanical Auto-Cut Roll Towel Dispenser



FEATURES



- Uses standard 8" wide paper up to 8" in diameter
- Next sheet is automatically waiting for next user, no waiting
- Automatic transfer system eliminates stub roll waste
- Heavy duty lock prevents theft
- No batteries

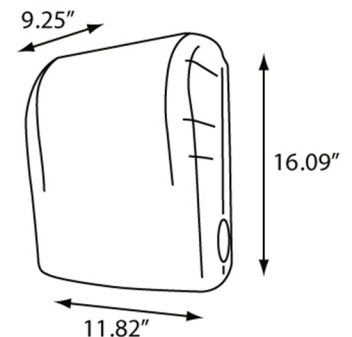
AVAILABLE COLORS

Dark Translucent Cover
with a Beige Back



SPECIFICATIONS

Model #	TD0400-01 (Dark Translucent)
Dimensions	11.82" W x 16.09" H x 9.25" D
Weight	6.50 lbs
Case Pack	1 per case - 1.16' ³
Capacity	8"W & 8"D, 2 ³ / ₄ " Stub (1 ¹ / ₂ " Core)
Key Type	2



Ph: 800.558.8678
Ph: 920.884.8698
Fax: 920.884.8699
info@palmerfixture.com



Palmer Fixture
P.O. Box 10887
Green Bay, WI 54307
www.palmerfixture.com