

TD0255

Self Adjusting Centerpull Towel Dispenser



FEATURES

LOGO

- Heavy duty double latch lock helps prevent theft
- Permanent key knob option (Part #SP01010-00)
- Reliable single-sheet dispensing to reduce waste
- Patented self-adjusting aperture
- Durable, impact resistant plastic cover

AVAILABLE COLORS

Dark Translucent Cover
with a Beige Back

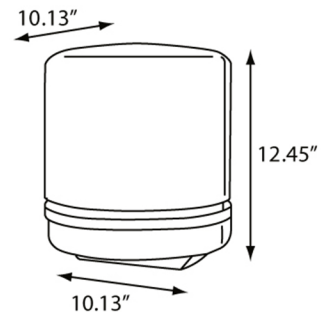


Dark Translucent Cover
with a Black Back



SPECIFICATIONS

Model #	TD0255-01 (Dark Translucent)		
	TD0255-02 (Black Translucent)		
Dimensions	10.13" W x 12.45" H x 10.13" D		
Weight	2.45 lbs	Case Pack	2 per case - 1.63' ³
Capacity	9"W & 9"D (max size)	Key Type	1



Ph: 800.558.8678
Ph: 920.884.8698
Fax: 920.884.8699
info@palmerfixture.com



Palmer Fixture
P.O. Box 10887
Green Bay, WI 54307
www.palmerfixture.com