

TD0235

InSpire Electronic Hands Free Roll Towel Dispenser



FEATURES



- Economically designed - small footprint, simple operation
- Lower waste with a reliable dispense of an 11" sheet with every cycle
- Sophisticated sensor - automatically dispenses when hand is placed over the sensor
- Includes a stub roll feature, making for more precise control of paper consumption
- Operates on 4 "D" sized LR-20 alkaline batteries
- Optional AC/DC Adaptors available

AVAILABLE COLORS

Dark Translucent Cover with a Beige Back



Dark Translucent Cover with a Black Back

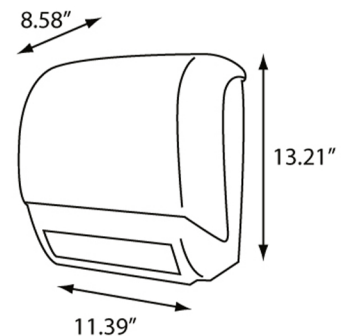


White Translucent Cover with a Beige Back



SPECIFICATIONS

Model #	TD0235-01 (Dark Translucent) TD0235-02 (Black Translucent) TD0235-03 (White Translucent)		
Dimensions	11.39" W x 13.21" H x 8.58" D		
Weight	4 lbs	Case Pack	1 per case - .75 ¹³
Capacity	8"W & 8"D (1 1/2" Core)	Key Type	1



Ph: 800.558.8678
 Ph: 920.884.8698
 Fax: 920.884.8699
 info@palmerfixture.com



Palmer Fixture
 P.O. Box 10887
 Green Bay, WI 54307
 www.palmerfixture.com