

TD0234

# Electronic Hands Free Roll Towel Dispenser



## FEATURES



- Smooth, easy towel delivery assures reliable dispensing
- Hands-free electronic operation
- Operates on 4 LR20 "D" size alkaline batteries
- Designed for maximum strength and durability
- Automatically dispenses 11" sheets
- Stub roll tray included - tray helps reduce paper waste
- ADA Compliant

## AVAILABLE COLORS

Dark Translucent Cover  
with a Black Back

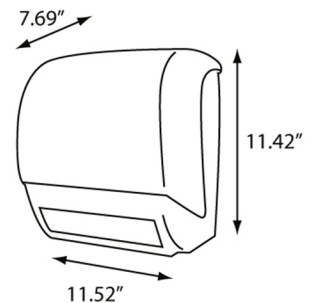


White Translucent Cover  
with a Beige Back



## SPECIFICATIONS

Model #	TD0234-02 (Black Translucent) TD0234-03 (White Translucent)		
Dimensions	11.52" W x 11.42" H x 7.69" D		
Weight	3.65 lbs	Case Pack	1 per case - .77' <sup>3</sup>
Capacity	8"W & 6"D (1½" Core)	Key Type	1



Ph: 800.558.8678  
Ph: 920.884.8698  
Fax: 920.884.8699  
info@palmerfixture.com



Palmer Fixture  
P.O. Box 10887  
Green Bay, WI 54307  
www.palmerfixture.com