

TD0215

Auto-Transfer Push Bar Roll Towel Dispenser



FEATURES



- Heavy gauge steel body
- Easy loading with Automatic transfer system with 4" diameter stub roll capacity
- Double latch key lock with standard metal key
- Each push delivers 5-1/2" of toweling
- Impact resistant, durable plastic cover
- Door can be replaced without tools
- ADA Compliant

AVAILABLE COLORS

Dark Translucent Cover
with a Beige Back



Dark Translucent Cover
with a Black Back

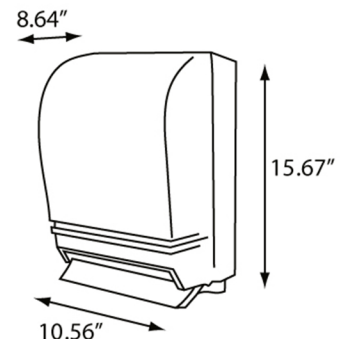


White Translucent Cover
with a Beige Back



SPECIFICATIONS

Model #	TD0215-01 (Dark Translucent)				
	TD0215-02 (Black Translucent)				
	TD0215-03 (White Translucent)				
Dimensions	10.56" W x 15.67" H x 8.64" D				
Weight	6 lbs	Case Pack	1 per case - 1.16' ³		
Capacity	8"W & 8"D, 2 ³ / ₄ " Stub (1 ¹ / ₂ - 2" Core)		Key Type	1	



Ph: 800.558.8678
Ph: 920.884.8698
Fax: 920.884.8699
info@palmerfixture.com



Palmer Fixture
P.O. Box 10887
Green Bay, WI 54307
www.palmerfixture.com