

TD0208

Mechanical Auto-Cut Roll Towel Dispenser



FEATURES



- Easy loading procedure
- High capacity - holds industries longest rolls
- Compact design - fits everywhere
- Extremely smooth and quiet with low pull force
- No levers, cranks or buttons to touch
- Dispenses most non-perforated roll towels up to 8.0" in diameter and 8.0" wide
- Made of durable high-impact material

AVAILABLE COLORS

Dark Translucent Cover with a Beige Back



Dark Translucent Cover with a Black Back

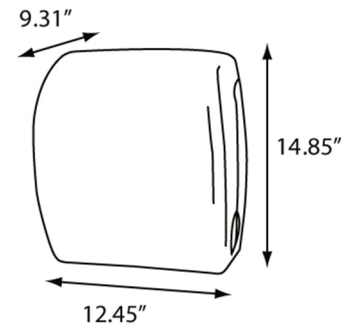


White Translucent Cover with a Beige Back



SPECIFICATIONS

Model #	TD0208-01 (Dark Translucent) TD0208-02 (Black Translucent) TD0208-03 (White Translucent)		
Dimensions	12.45" W x 14.85" H x 9.31" D		
Weight	4.90 lbs	Case Pack	1 per case - 1.09' ³
Capacity	8"W & 8"D (1 1/2" Core)	Key Type	1



Ph: 800.558.8678
 Ph: 920.884.8698
 Fax: 920.884.8699
 info@palmerfixture.com



Palmer Fixture
 P.O. Box 10887
 Green Bay, WI 54307
 www.palmerfixture.com