

TD0202

Mechanical Hands Free Roll Towel Dispenser



FEATURES



- Easy loading procedure
- Accommodates most non-perforated roll towels up to 8.0" wide and 6.0" diameter
- Compact design with smooth and quiet operation
- No levers, cranks or buttons to touch - eliminates cross-contamination
- Door can be replaced without use of tools
- Designed with impact-resistant materials

AVAILABLE COLORS

Dark Translucent Cover with a Black Back

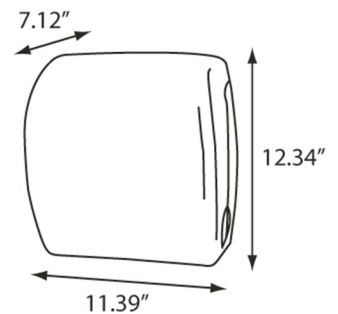


White Translucent Cover with a Beige Back



SPECIFICATIONS

| | | | |
|-------------------|--|------------------|-------------------------------|
| Model # | TD0202-02 (Black Translucent) TD0202-03 (White Translucent) | | |
| Dimensions | 11.39" W x 12.34" H x 7.12" D | | |
| Weight | 4.05 lbs | Case Pack | 1 per case - .80 ³ |
| Capacity | 8"W & 6"D (1½" Core) | Key Type | 1 |



Ph: 800.558.8678
 Ph: 920.884.8698
 Fax: 920.884.8699
 info@palmerfixture.com



Palmer Fixture
 P.O. Box 10887
 Green Bay, WI 54307
 www.palmerfixture.com