

TD0179

Plastic Multifold Towel Dispenser



FEATURES



- User touches only the paper they need
- Impact resistant translucent cover
- Single towel delivery, down to the last one
- Easy to load
- ADA Compliant

AVAILABLE COLORS

Dark Translucent Cover with a Beige Back



Dark Translucent Cover with a Black Back

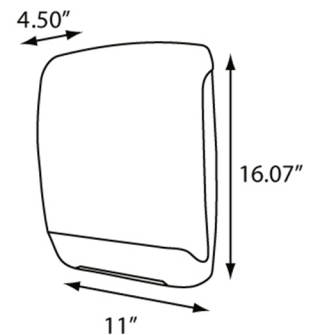


White Translucent Cover with a Beige Back



SPECIFICATIONS

Model #	TD0179-01 (Dark Translucent) TD0179-02 (Black Translucent) TD0179-03 (White Translucent)		
Dimensions	11" W x 16.07" H x 4.50" D		
Weight	2.00 lbs	Case Pack	6 per case - 3.44' ³
Capacity	540 Multifold Towels	Key Type	1



Ph: 800.558.8678
 Ph: 920.884.8698
 Fax: 920.884.8699
 info@palmerfixture.com



Palmer Fixture
 P.O. Box 10887
 Green Bay, WI 54307
 www.palmerfixture.com