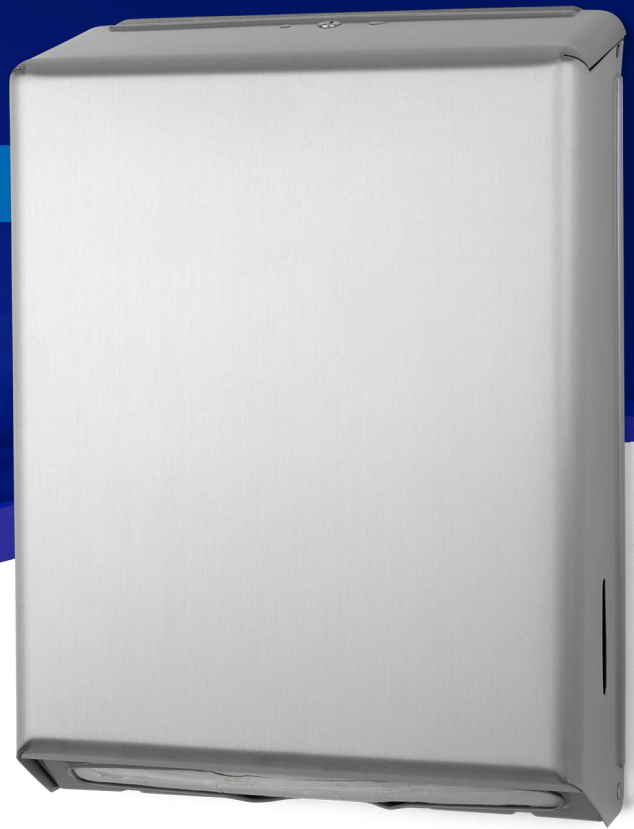


TD0170

Multi-Fold/C-Fold Towel Dispenser

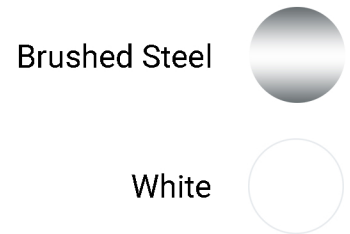


FEATURES



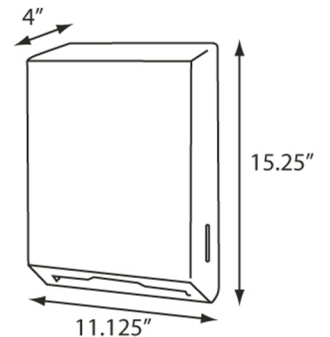
- Double latch key lock for safety
- Permanent key knob is available
- Accommodates C-Fold or Multifold towels in various sizes up to 10-1/4" long and 4" wide
- Heavy gauge metal back and cover
- Dispensing slot eases towel removal and reduces multiple dispensing
- User is protected by a dispensing slot with a completely rolled edge

AVAILABLE COLORS



SPECIFICATIONS

Model #	TD0170-17 (White)		
	TD0170-13 (Brushed Steel)		
Dimensions	11.125" W x 15.25" H x 4" D		
Weight	4.45 lbs	Case Pack	6 per case - 2.97' ³
Capacity	540 Multifold or 350 C-Fold Towels	Key Type	1



Ph: 800.558.8678
 Ph: 920.884.8698
 Fax: 920.884.8699
 info@palmerfixture.com



Palmer Fixture
 P.O. Box 10887
 Green Bay, WI 54307
 www.palmerfixture.com