

LED T8 SINGLE ENDED BYPASS/LINE VOLTAGE

Operating Instructions

For models:

LT09T828XXB1 & LT18T848XXB1



SAFETY INSTRUCTIONS AND WARNINGS

WARNING:

READ CRITICAL SAFETY INSTRUCTIONS BEFORE INSTALLING LED T8.

RETAIN INSTRUCTIONS FOR FUTURE REFERENCE.

Risk of fire or electric shock. LED Retrofit Kit installation requires knowledge of luminaire electrical systems. If not qualified, do not attempt installation. Contact a qualified electrician.

Risk of fire or electric shock. Install this kit only in luminaires that have the construction features and dimensions shown in the photographs and/or drawings and where the input rating of the retrofit kit does not exceed the input rating of the luminaire.

Do not make or alter any open holes in an enclosure of wiring or electrical components during kit installation.

To prevent wiring damage or abrasion, do not expose wiring to edges of sheet metal or other sharp objects.

To avoid potential fire or shock hazard, **do not use this retrofit kit in luminaires employing shunted bi-pin lampholders.**

Note: Shunted lamp holders are found only in fluorescent luminaires with Instant-Start ballasts. Instant-start ballasts can be identified by the words "Instant Start" or "I.S." marked on the ballast. This designation may be in the form of a statement pertaining to the ballast itself, or may be combined with the marking for the lamps with which the ballast is intended to be used, for example F40T12/IS. For more information, contact the LED luminaire retrofit kit manufacturer.

AVERTISSEMENT

Risque d'incendie ou de choc électrique. Installation du kit de Retrofit LED exige une connaissance des systèmes électriques luminaires. Si vous n'êtes pas qualifié, ne tentez pas de l'installation. Contactez un électricien qualifié.

Risque d'incendie ou de choc électrique. Installez ce kit dans les luminaires qui ont les caractéristiques de construction et les dimensions indiquées dans les photographies et / ou dessins et où la cote d'entrée du kit de modification ne dépasse pas la capacité d'entrée du luminaire.

Ne pas agrandir ou modifier les trous ouverts au sein du câblage ou sur les composants électriques lors de l'installation du kit.

Pour éviter d'endommager le câblage ou à l'abrasion, ne pas exposer le câblage aux bords de tôle ou d'autres objets pointus.

Pour éviter tout incendie potentiel ou tout risque de choc, ne pas utiliser ce kit de rénovation dans les luminaires utilisant des douilles shuntées à deux broches. Remarque: les supports de lampe shunté ne se trouvent que sur les luminaires fluorescents avec ballasts et à allumage instantané. Les ballasts à allumage instantané peuvent être identifiés par les mots "Démarrage instantané" ou "I.S." sur la ballaste.

Cette désignation peut être présentée sous la forme d'une déclaration relatives au ballast lui-même, ou peut être combinée avec le marquage pour les lampes dont le ballast est destiné à être utilisé, par exemple le modèle F40T12/EST. Pour plus d'informations, contactez le fabricant du kit de rénovation de luminaire LED.

*Before Installation, carefully remove all parts from the packaging.
Inspect product for defects due to shipping.*

WHAT COMES IN THE BOX

LED T8 comes with following standard parts:

LED T8 Tube | Operating Instructions | Luminaire Labels

Installers should not disconnect existing wires from lampholder terminals to make new connections at lampholder terminals. Instead installers should cut existing lampholder leads away from the lampholder and make new electrical connections to lampholder lead wires by employing applicable connectors.

This retrofit kit is accepted as a component of a luminaire where the suitability of the combination shall be determined by authorities having jurisdiction.

Les installateurs ne doivent pas débrancher les câbles existants de terminaux de support de lampe pour faire de nouvelles connexions dans les douilles. Au lieu installateurs doivent couper les câbles existants de terminaux de support de lampe et faire de nouvelles connexions électriques en utilisant des connecteurs applicables.

Le montage du retrofit est acceptée comme composant d'un luminaire où la pertinence de la combinaison sera déterminée par l'ul ou les autorités ayant la juridiction correspondante.

The units covered by this report were intended to retrofit surface mount with diffuser for these models, Type IC or non-IC recessed mount listed fluorescent luminaires that use maximum 4 tubular lamps, the minimum lamp compartment dimensions are tabulated below:

MODEL NUMBER	MINIMUM LAMP COMPARTMENT DIMENSIONS (LENGTH X WIDTH X HEIGHT)	LAMP QUALITY
LT09T828XXB1	23.8" x 23.6" x 3.14"	4
LT18T848XXB1	48.4" x 23.6" x 4.3"	4

This device complies with Part 15 of the FCC Rules. Operation is subject to the following two conditions: (1) this device may not cause harmful interference, and (2) this device must accept any interference received, including interference that may cause undesired operation.

NOTE: FOR INDOOR USE ONLY. Do not use with dimmers or for emergency lighting.

NOTE: Single Ended LED Tubes are powered from one end ; the other end is NOT live and only serves to secure and mount the LED Tube in the sockets. Verify that the luminaire is properly set up for this style of LED Tube before inserting T8 into luminaire (modify luminaire if necessary).

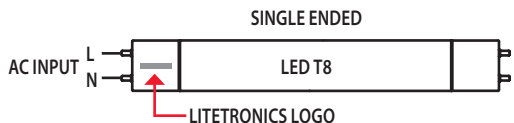
INSTALLATION INSTRUCTIONS

NOTE: TO BE USED WITH NON-SHUNTED SOCKET ONLY

1. Turn off power and remove troffer lens, if present.
2. Remove existing fluorescent or LED tubes by rotating one quarter turn and sliding each lamp out.
3. Remove ballast cover. (Cover may be secured with screws or tabs.)
4. Cut all ballast wires as close to ballast as possible.
5. Cut and remove all wires from the sockets at unpowered end of luminaire. (Only one side of luminaire needs wired sockets.)
6. Ensure that wired sockets are connected according to diagrams on next page and that the sockets used are unshunted sockets.
7. Install the LED tubes.

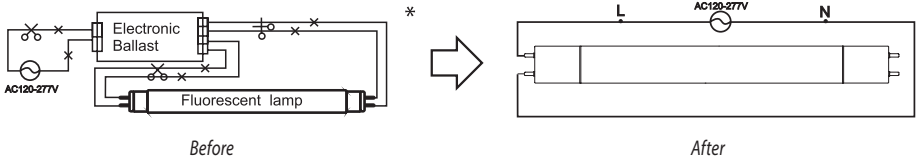
Please assure that the end with Litetronics logo and N/L markings is installed in non-shunted sockets (Shown below).

8. Apply luminaire label.
9. Replace the lens that was removed.
10. Restore the power.

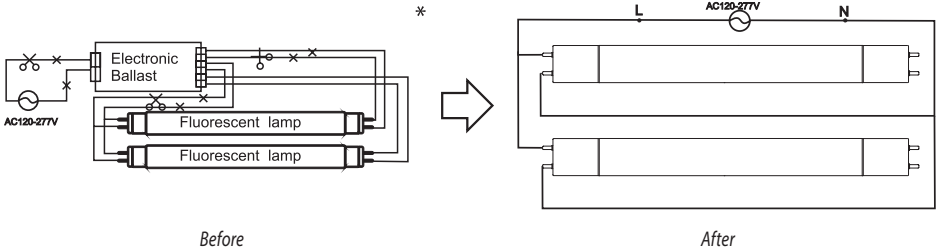


WIRING INSTRUCTIONS - ELECTRONIC BALLAST

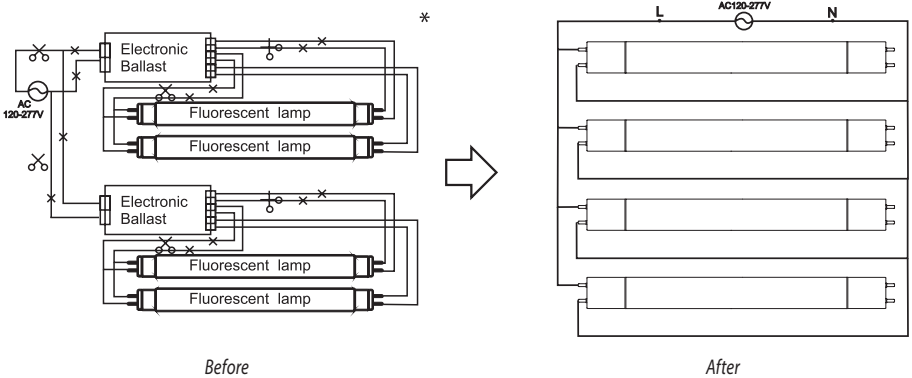
RETROFIT LUMINAIRE WITH 1 LAMP



RETROFIT LUMINAIRE WITH 2 LAMPS

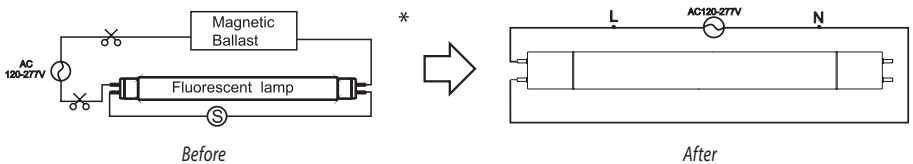


RETROFIT LUMINAIRE WITH 4 LAMPS



WIRING INSTRUCTIONS - MAGNETIC BALLAST

RETROFIT LUMINAIRE MAGNETIC BALLAST



* Remove fluorescent tube and cut ballast wires

Thank you for choosing

LITETRONICS®

6969 W. 73rd Street
Bedford Park, IL 60638

WWW.LITETRONICS.COM

CustomerService@Litetronics.com or 1-800-860-3392

