

LITETRONICS®

LED Strip Fixture Installation Instructions

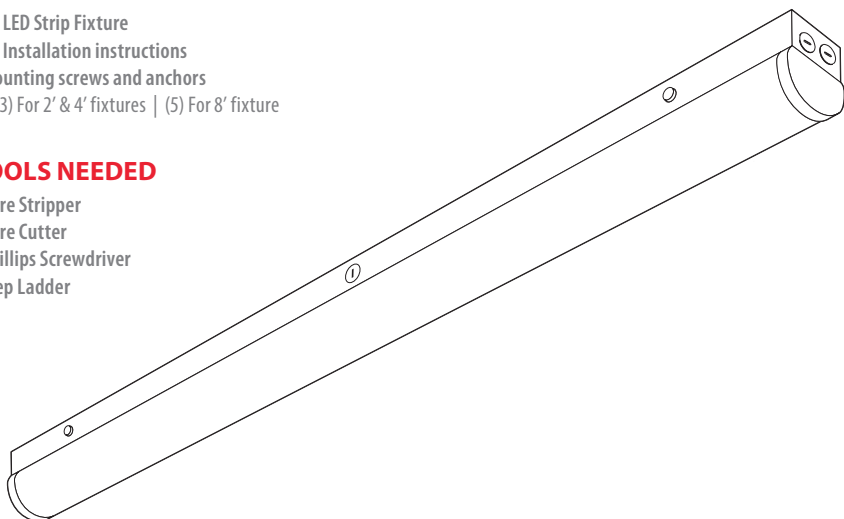
Ordering Code: SF Selectable Series

WHAT COMES IN THE BOX

- (1) LED Strip Fixture
- (1) Installation instructions
- Mounting screws and anchors
 - (3) For 2' & 4' fixtures | (5) For 8' fixture

TOOLS NEEDED

- Wire Stripper
- Wire Cutter
- Phillips Screwdriver
- Step Ladder



SAFETY INSTRUCTIONS AND WARNINGS

When using electrical equipment, basic safety precautions should always be observed. Read and follow all safety instructions.

- Installation should only be conducted by a qualified electrician in accordance with NEC and any relevant local building codes.
- Risk of fire or electric shock. Fixture installation requires knowledge of luminaires electrical systems. If not qualified, do not attempt installation. Contact a qualified electrician.
- Be certain electrical power is OFF before and during installation and maintenance.
- Fixtures must be connected to a wiring system with an equipment-grounding conductor.
- Make sure the supply voltage is the same as the rated luminaire fixtures voltage.
- Only those open holes indicated in the photographs and/or drawings may be made or altered as a result of this kit strip installation. Do not leave any other open holes in an enclosure of wiring or electrical components.
- To prevent wiring damage or abrasion, do not expose wiring to edges of sheet metal or sharp objects.
- Suitable for damp locations.

INSTALLATION

BEFORE BEGINNING INSTALLATION, TURN OFF POWER AT THE CIRCUIT BREAKER.

1. Set the Strip Fixture on a flat surface. Open the fixture by squeezing the locking mechanism simultaneously on each side of the fixture while gently pulling the lamp from the housing. See figure A.
2. Locate the surface mounting holes. Raise empty fixture into place and drive two mounting screws directly into the mounting surface/anchors. See figure B.

- *Note: Make sure power wires are inserted through the housing cover plate before securing fixture to the surface.*
- *For reference, mounting holes are spaced 12.67" on the 2' fixture, 36.22" on the 4' fixture and 83.38" on the 8' fixture.*

3. Once fixture is secure, make wiring connections.

Black = AC Line

Purple = Dimming (+)

White = AC Neutral

Gray = Dimming (-)

Green = Ground

4. Next, select the correct wattage and color temperature by adjusting the slide switches located on the driver. See figure B.

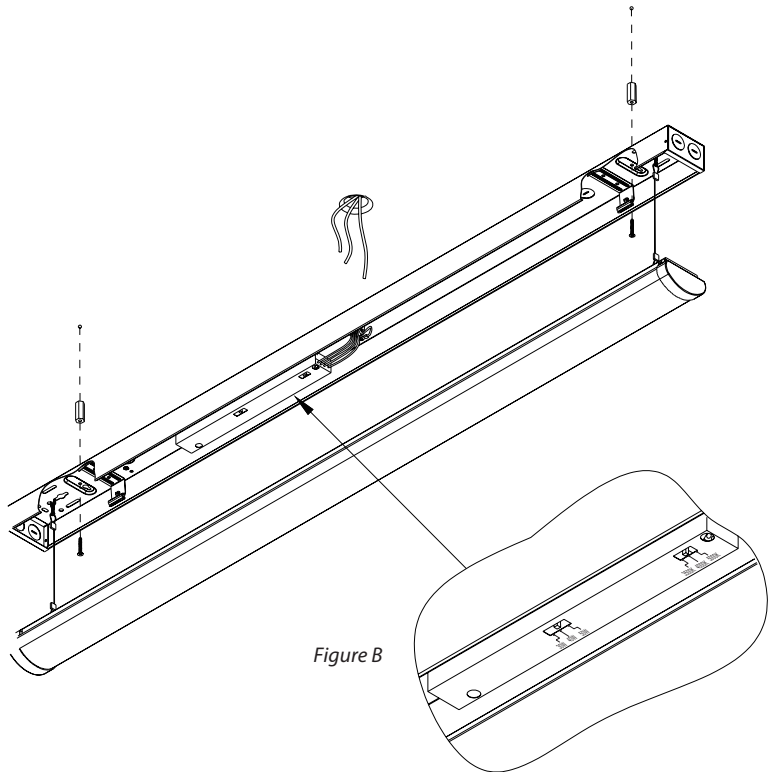
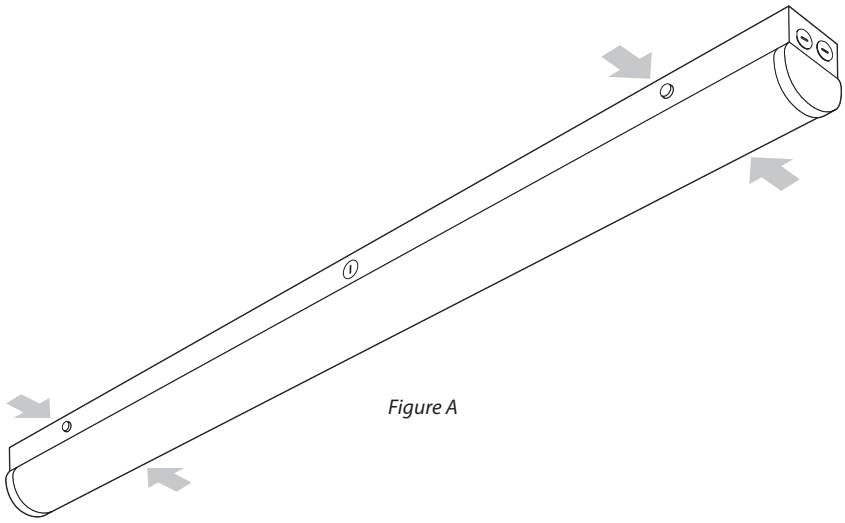
Wattage settings:

- *2' fixture: 25W (3,250 lumens) | 20W (2,600 lumens) | 15W (1,950 lumens)*
- *4' fixture: 50W (6,500 lumens) | 40W (5,200 lumens) | 30W (3,900 lumens)*
- *8' fixture: 70W (9,100 lumens) | 60W (7,800 lumens) | 50W (6,500 lumens)*

CCT settings:

- *5000K | 4000K | 3500K*

5. Now close the fixture by raising the lamp up into the housing until it snaps into the locking mechanism.
6. Restore power and your installation is complete.



Thank you for choosing

LITETRONICS®

6969 W. 73rd Street
Bedford Park, IL 60638

www.Litetronics.com

CustomerService@Litetronics.com or 1-800-860-3392



The information and product specifications contained in these instructions are based upon data believed to be accurate at the time of printing. This information is subject to change without notice and without incurring liability. If you have questions regarding specific product details, please contact us at 800-860-3392 or via email at customerservice@litetronics.com.

To check for an updated version of these instructions, please visit www.litetronics.com.

7/18/22-V3.1