

## LED ROUND HIGH BAY PL

### HIGH TEMPERATURE MODEL

### UP TO 65°C/149°F



The LED Round High Bay PL delivers top of the line efficiency, durability and versatility, resulting in significant energy savings, low maintenance and adaptability across a wide range of high ceiling applications.

The PL's unique look sets it apart from the competition, but there's more to this fixture than aesthetics. The polycarbonate prismatic lens distributes even illumination, minimizing glare while also guaranteeing long term durability. The die cast aluminum heat sink separates the LEDs from the driver, creating enhanced air flow, lower operating temperature and better efficiency.

Equipped with an optional on-board PIR sensor, the High Bay PL enables occupancy detection and daylight harvesting, further reducing energy consumption and costs. For convenience, the sensor settings can be adjusted from the ground via remote control and each high bay can be fine tuned to adjust brightness, sensor range sensitivity, hold time and stand-by time. Each remote also include 4 programmable modes, which can be saved and quickly implemented across various fixtures.

#### KEY FEATURES

- High ambient temperature of up to 65°C/149°F
- Corrosion resistant
- DLC Premium (140 LPW)
- Polycarbonate prismatic lens
- On-board PIR sensor (optional)
- IP69K rated
- IK10 rated
- 100,000-hour rated life
- 10-year warranty
- Rated for indoor/outdoor use
- 120-277V & 277-480V available
- 0-10V dimming
- Hook, pendant or yoke mounting

#### MARKETS

- Warehouse & storage
- Industrial facilities
- Sports facilities & gyms
- Manufacturing facilities
- Retail centers

#### APPLICATIONS

- High ceilings
- Task lighting



## SPECIFICATIONS

**Average rated life (@L70):** 100,000 hours

**Warranty:** 10 year

**Ambient temperature:** -40°F to 149°F

**Input voltage:** 120-277V or 277-480V

**Input frequency:** 50/60 Hz

**Surge protection:** 10KV/5KA as per ANSI 82.77

**THD:**  $\geq 20\%$

**Power factor:**  $\geq 0.9$

**Beam angle:** 110°

**CRI:** 83

**Location rating:** Wet

**Dimming:** 0-10V DC (dims to 6%)

**IP rating:** 69K

**IK rating:** 10

**Weight:** 15 lbs.

**UL/cUL listed:** Yes

**RoHS compliant:** Yes

**DLC rating:** Premium

## MOUNTING

**Standard:** Hook mounting

**Additional options:** Pendant and yoke mounting

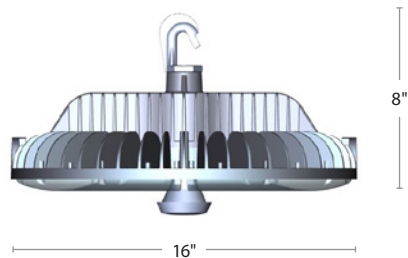
## ACCESSORIES

Remote control for sensor

Emergency Battery Backup

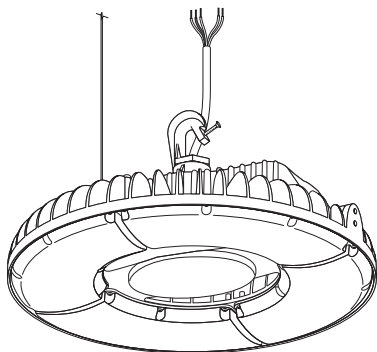
Yoke mounting bracket

## SIZING

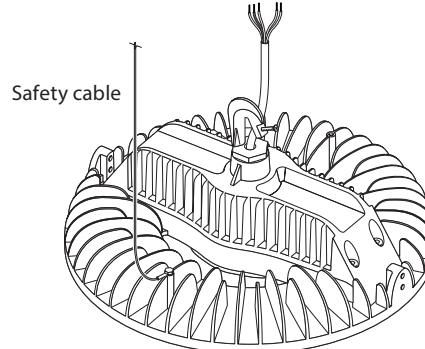


## PRODUCT OVERVIEW

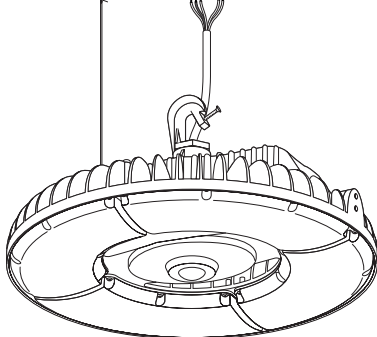
NON-SENSOR MODEL



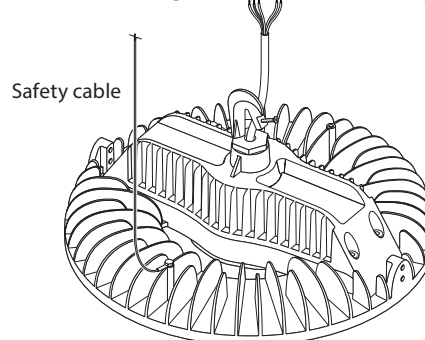
Line/neutral/ground 0-10V dimming



SENSOR MODEL



Line/neutral/ground 0-10V dimming



# ORDERING INFORMATION

## HIGH TEMPERATURE/CORROSION RESISTANT MODEL WITHOUT SENSOR

WATTS	VOLTS	ORDERING CODE	DESCRIPTION	CCT (K)	LUMENS
115	120-277	HBC115W50DLPT	115W 120-277V HIGH TEMP-CORROSION HIGH BAY IN 5000K	5000	16,100
175		HBC175W50DLPT	175W 120-277V HIGH TEMP-CORROSION HIGH BAY IN 5000K	5000	24,500
220		HBC220W50DLPT	220W 120-277V HIGH TEMP-CORROSION HIGH BAY IN 5000K	5000	30,800

## HIGH TEMPERATURE/CORROSION RESISTANT MODEL WITH SENSOR

WATTS	VOLTS	ORDERING CODE	DESCRIPTION	CCT (K)	LUMENS
115	120-277	HBC115W50DLPTS	115W 120-277V HIGH TEMP HIGH BAY IN 5000K WITH SENSOR	5000	16,100
175		HBC175W50DLPTS	175W 120-277V HIGH TEMP HIGH BAY IN 5000K WITH SENSOR	5000	24,500
220		HBC220W50DLPTS	220W 120-277V HIGH TEMP HIGH BAY IN 5000K WITH SENSOR	5000	30,800

## HIGH TEMPERATURE/CORROSION RESISTANT HIGH VOLTAGE MODEL WITHOUT SENSOR

WATTS	VOLTS	ORDERING CODE	DESCRIPTION	CCT (K)	LUMENS
175	277-480	HBC175W50DLPTHV	175W 277-480V HIGH TEMP HIGH BAY IN 5000K	5000	24,500
220		HBC220W50DLPTHV	220W 277-480V HIGH TEMP HIGH BAY IN 5000K	5000	30,800

# ACCESSORIES

## SENSOR REMOTE CONTROL

ORDERING CODE	DESCRIPTION	USAGE
SCR053	REMOTE CONTROL FOR SENSOR	<p>Used (on sensor model only) to adjust sensor settings after installation, from the ground.</p> <ul style="list-style-type: none"> <li>Brightness - Set the output level (in %) of connected lighting during occupancy</li> <li>Sensitivity - Set the range sensitivity for occupancy sensing in the area</li> <li>Hold time - Set the time that the sensor will hold after the area has been vacated</li> <li>Daylight harvesting - Set the threshold of natural light level</li> <li>Stand-by dim/time - Set the light level/time required after the hold time has elapsed</li> <li>Ability to pre-program 4 separate modes which can be saved and transferred from one fixture to another</li> </ul>



## SWIVEL YOKE MOUNT BRACKET

ORDERING CODE	DESCRIPTION	USAGE
HBCAM01	SWIVEL YOKE MOUNT BRACKET	Used (on standard model only) to direct light at various angles from wall or ceiling mounted position



## EMERGENCY BATTERY BACKUP - COMPATIBLE WITH NON-SENSOR MODELS ONLY

ORDERING CODE	DESCRIPTION	USAGE
EB23UQB	23W 120-277V Emergency Battery Backup unit with 18" conduit	Used to supply the fixture with 23W of power in emergency situations

