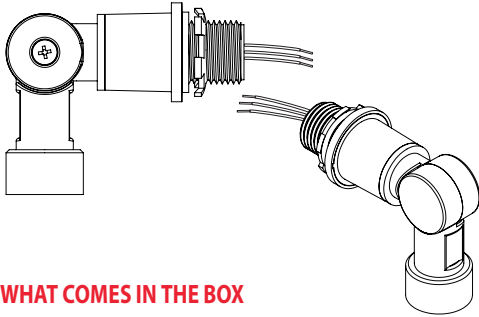


## Strip Elbow with 3 Wires for Pluggable Sensor (SFSAS01)

Can be used with sensors SC005, SC006 and SC008

### Installation Instructions



## WHAT COMES IN THE BOX

Elbow  
Installation Instructions

## SAFETY INSTRUCTIONS AND WARNINGS

- When using electrical equipment, basic safety precautions should always be observed
- This product must be installed in accordance with the applicable installation code by a person familiar with the construction and operation of the product and the hazards involved
- Installation should only be conducted by a qualified electrician in accordance with NEC and any relevant local building codes.
- Be certain electrical power is OFF before and during installation and maintenance.
- To prevent wiring damage or abrasion, do not expose wiring to edges of sheet metal or sharp objects.

## WIRING INSTRUCTIONS

1. Before installation, **always turn off the power supply from main circuit breaker first!**
2. Open the fixture, remove knockout.
3. Remove lock nut, attach elbow to knockout, replace lock nut and tighten.
4. Follow wiring diagram for connections (Figure 1).
5. Close the fixture.
6. Turn on the power.

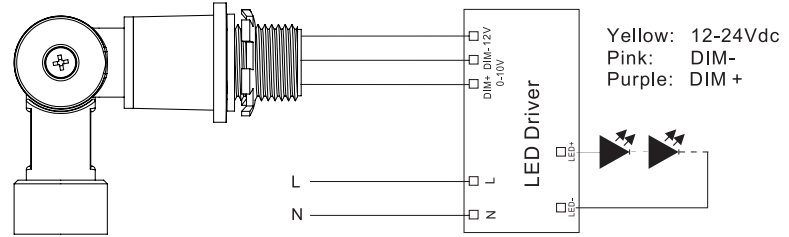
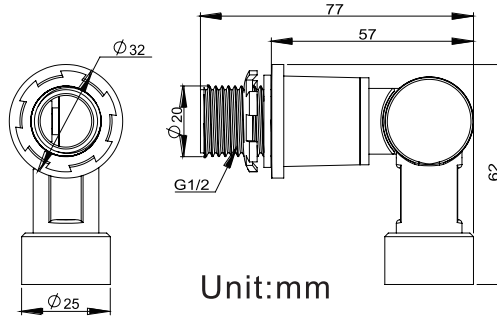


Figure 1

## DIMENSIONS/SIZE



Thank you for choosing

# LITETRONICS®

6969 W. 73rd Street  
Bedford Park, IL 60638

WWW.LITETRONICS.COM

CustomerService@Lite tronics.com or 1-800-860-3392



The information and product specifications contained in these instructions are based upon data believed to be accurate at the time of printing. This information is subject to change without notice and without incurring liability. If you have questions regarding specific product details, please contact us at 800-860-3392 or via email at customerservice@litetronics.com. To check for an updated version of these instructions, please visit [www.litetronics.com](http://www.litetronics.com).