

SD0046

# 46oz. Manual Bulk Liquid Soap Dispenser



## FEATURES



- Dispenses approximately .4mL of soap per push
- Made from impact resistant plastic
- Long lasting foam pump
- With a translucent cover, soap is always visible
- Smooth, curved design prevents user from resting objects on unit
- ADA Compliant

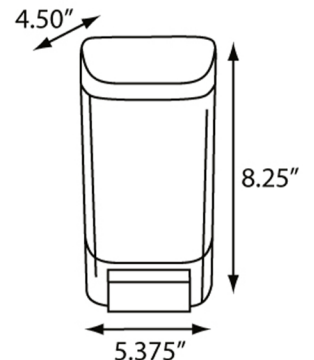
## AVAILABLE COLORS

Dark Translucent



## SPECIFICATIONS

|            |                                  |
|------------|----------------------------------|
| Model #    | SD0046-01 (Dark Translucent)     |
| Dimensions | 5.375"W x 8.25"H x 4.50"D        |
| Weight     | 1.15 lbs each                    |
| Case Pack  | 12 per case - 1.77' <sup>3</sup> |
| Capacity   | 46oz Foam Soap                   |



Ph: 800.558.8678  
Ph: 920.884.8698  
Fax: 920.884.8699  
info@palmerfixture.com



Palmer Fixture  
P.O. Box 10887  
Green Bay, WI 54307  
www.palmerfixture.com