

SD0030

30oz. Manual Bulk Liquid Soap Dispenser



FEATURES



- Dispenses approximately .4mL of soap per push
- Made from impact resistant plastic
- Long lasting foam pump
- With a translucent cover, soap is always visible
- Smooth, curved design prevents user from resting objects on unit
- ADA Compliant

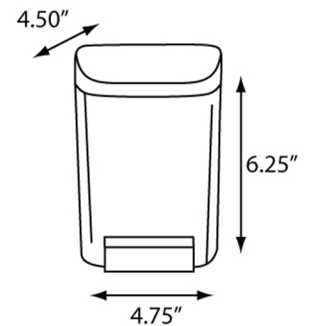
AVAILABLE COLORS

Dark Translucent



SPECIFICATIONS

Model #	SD0030-01 (Dark Translucent)
Dimensions	4.75"W x 6.25"H x 4.50"D
Weight	.85 lbs each
Case Pack	12 per case - 1.12'³
Capacity	30oz Liquid Soap



Ph: 800.558.8678
Ph: 920.884.8698
Fax: 920.884.8699
info@palmerfixture.com



Palmer Fixture
P.O. Box 10887
Green Bay, WI 54307
www.palmerfixture.com