

RD0346

Single 10" Jumbo Stainless Steel Tissue Dispenser



FEATURES

- Design offers simplistic & modern appeal
- Window allows for easy view of paper supply
- Cover & back are hinged together, making it one piece
- Holds up to a 10" roll with a 2-1/4" core
- Works with cores as small as 1-3/4"

AVAILABLE COLORS

Brushed Stainless

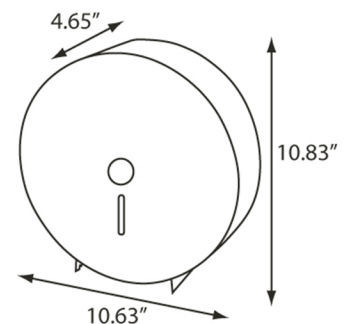


White



SPECIFICATIONS

Model #	RD0346-09 (Brushed Stainless) RD0346-17 (White)		
Dimensions	10.63"W x 10.83"H x 4.65"D		
Weight	2.80 lbs	Case Pack	6 per case - 2.75' ³
Capacity	10" Roll (1 3/4"-2 1/4" Core)	Key Type	13



Ph: 800.558.8678
Ph: 920.884.8698
Fax: 920.884.8699
info@palmerfixture.com



Palmer Fixture
P.O. Box 10887
Green Bay, WI 54307
www.palmerfixture.com