

RD0325

Metal Two-Roll Standard Tissue Dispenser



FEATURES

- Sleek stainless steel finish for a modern look
- Holds two standard toilet tissue rolls
- Heavy duty lock to prevent theft and vandalism
- Heavy gauge steel construction

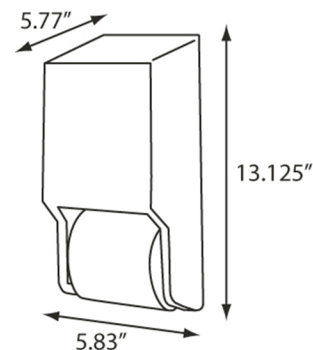
AVAILABLE COLORS

Brushed Stainless



SPECIFICATIONS

Model #	RD0325-09 (Brushed Stainless)
Dimensions	5.83" W x 13.125" H x 5.83" D
Weight	3.30 lbs
Case Pack	6 per case - 2.28'³
Capacity	2 - 4½"W x 5¼" D Rolls (1½" Core)
Key Type	1



Ph: 800.558.8678
Ph: 920.884.8698
Fax: 920.884.8699
info@palmerfixture.com



Palmer Fixture
P.O. Box 10887
Green Bay, WI 54307
www.palmerfixture.com