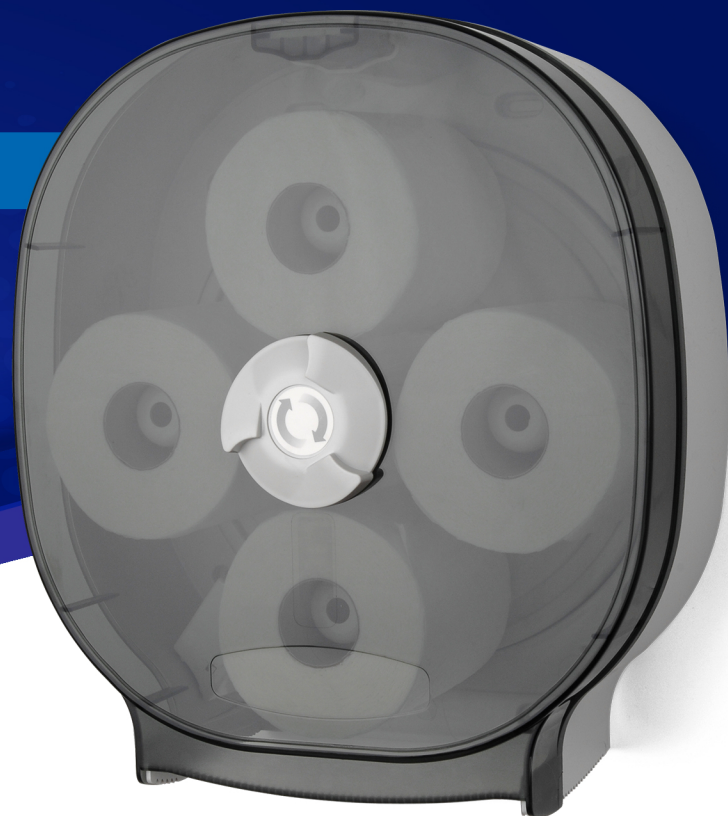


RD0044

Universal 4-Roll Tissue Dispenser



FEATURES

- 4 station conventional tissue carousel
- Efficient roll advance mechanism
- Towel is completely covered for maximum hygiene
- Vandal-proof, break resistant, chemical and flame resistant
- Made of tough impact resistant material
- Translucent cover allows for view of paper supply

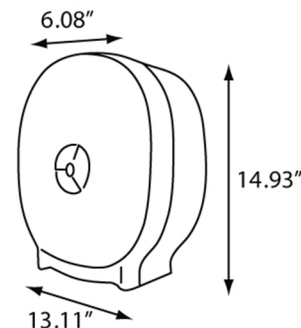
AVAILABLE COLORS

Dark Translucent Cover
with a Beige Back



SPECIFICATIONS

Model #	RD0044-01 (Dark Translucent)		
Dimensions	13.11" W x 14.93" H x 6.08" D		
Weight	3.55 lbs	Case Pack	1 per case - .73 ³
Capacity	4 - 4½" W x 5¼" D Rolls (1½" Core)	Key Type	1



Ph: 800.558.8678
Ph: 920.884.8698
Fax: 920.884.8699
info@palmerfixture.com



Palmer Fixture
P.O. Box 10887
Green Bay, WI 54307
www.palmerfixture.com