



ArrivScan *mini*

Temperature Sensing KIOSK

Introducing the Howard **ArrivScan mini** Temperature Sensing Kiosk

This Contactless Passive Detection Temperature-Sensing kiosk helps maintain a healthy environment for employees, customers, students, visitors, and the general public. This innovative gate-keeping solution can sense the temperature of anyone who passes through its sensors, allowing you to detect those with elevated temperatures. Designed for HR applications and ideal for businesses, schools and universities, restaurants, retailers, hospitals, clinics, and anywhere else you want to be proactive about avoiding the spread of infection.

Help safeguard your establishment from infection with kiosks from Howard and software from 22Miles

Kiosk Package

- 13 in display
 - Camera
- Stand
 - Powder-coated steel construction
 - Small footprint
 - 4" premium dual-wheel casters with two breaking casters
 - Casters can be removed and replaced with bumpers for a stationary kiosk
 - Includes a cord wrap and cable management box

Solution Features

- Passive Detection:
1 on 1 Application; visitors must walk up to the machine to be detected
- Active Detection:
Multiple user tracking from desk station
- Walk-Through Detection:
Similar to retail anti-theft devices; supports visual or audio alerts

Benefits

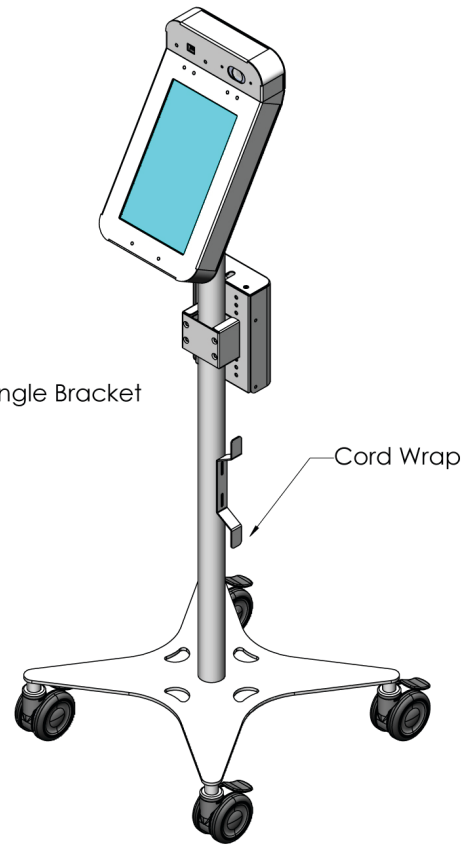
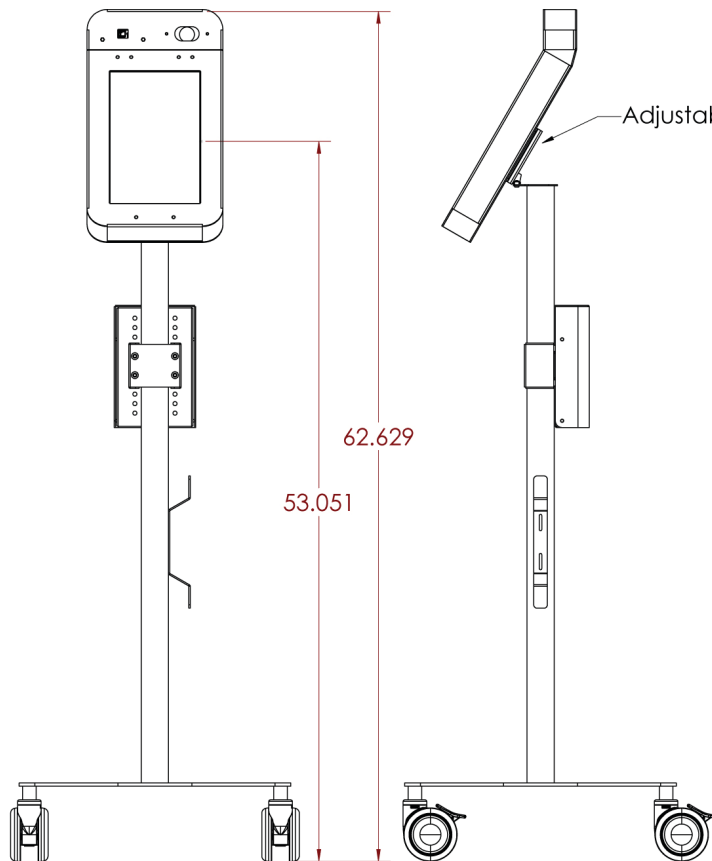
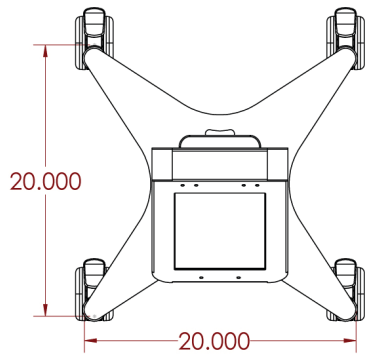
- Streamline facility gatekeeping
- Full-solution antimicrobial defense
- Fast, visual and audible feedback
- Active screening of open area traffic
- Easy-to-clean antimicrobial surfaces

Specs

- Width: 20 in
- Depth: 20 in
- Height: 62.6 in
- Display: 13 in
- Weight: 52 lbs

Experience the Howard Interactive Kiosk Advantage today!

Howard ArrivScan mini Kiosk-Dimensions & Isometric View



HOWARD[™]
 LIGHTING PRODUCTS
 a Division of Howard Industries, Inc.

Derral Ward - Utility
 Vice President, Sales & Marketing
 678.641.2984
 dward@howard.com

Dirk Reader - C&I
 Vice President, Lighting Distribution Sales
 214.738.0220
 dreader@howard.com

Bruce Bell
 West C&I Rgnl. Mgr.
 310.341.5435
 bbell@howard.com

Chuck Frederking
 Central C&I Rgnl. Mgr.
 636.221.8717
 cfrederking@howard.com

Chris Gosney
 East C&I Rgnl. Mgr.
 215.900.8383
 cgosney@howard.com

Marcus Yahnke
 Central Utility Rgnl. Mgr.
 601.577.4230
 myahnke@howard.com

Roy Manning
 East Utility Rgnl. Mgr.
 601.577.1497
 rmanning@howard.com

Bruce Swenson
 ESCO National Mgr.
 847.951.0898
 bswenson@howard.com