

Medium Wall Pack - LED

Features

- Construction
 - One-piece die-cast aluminum housing and hinged, removable die-cast aluminum door
 - One-piece silicone gasket seals the optical chamber
 - Housing has a textured bronze finish
 - Borosilicate molded glass lens
 - 1/2" conduit access, sides, top, or rear knockouts
- Photocell adaptable and UL listed for wet locations
- LED driver and electrical components are mounted to the die-cast housing for optimal heat sinking and operating efficiency
- UL recognized integral LED electronic driver is Class 2 rated for 120-277V, 50/60Hz
- High output LEDs provide 80+ CRI in 5000 K CCT
- The LED system delivers, on average, 70% of lumen maintenance (L70) at 60,000 hours
- Suitable for ambient temperature up to 55°C (131°F)
- 5 Year warranty

Project:	
Catalog#:	
Approved by:	
Date:	



Classic look - modern performance



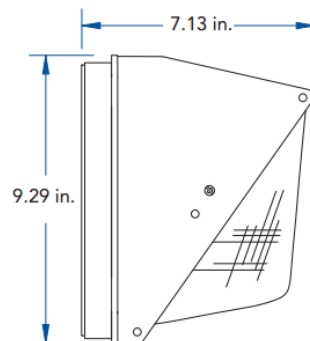
Ordering Information Sample Model: MWP-5040R-LED-MV			
Series	Color	Configuration	Factory Installed Options (y)
MWP	50	40R-LED-MV	
MWP-	50: 5000K	28R-LED-MV 2,360 Lumens, 22W	(blank): No FIO -M: Microwave Motion Sensor
		40R-LED-MV 4,660 Lumens, 41W	
		55R-LED-MV 5,490 Lumens, 51W	

Note: Order with (-M) for title 24 compliance in CA

Applications

Ideal for parking facilities, entry ways, perimeter/pathway lighting for underpasses.

Dimensions



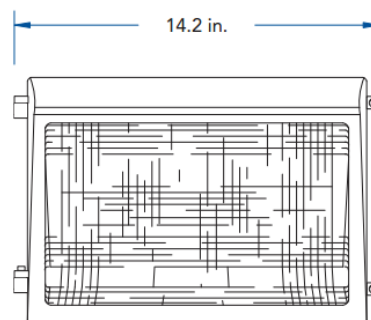
Proudly Assembled
IN THE USA*

Cross Reference Chart				
Comparable to HID		LED Replacement		Energy Savings
Source	Input Watts ¹	Model #	Input Watts	Percentage
150W	185	MWP-5055R-LED-MV	51	72%
100W	129	MWP-5040R-LED-MV	41	68%
70W	91	MWP-5028R-LED-MV	22	76%

¹120V on Quad Tap Ballast

Accessories (sold separately)	
Catalog #	Description
LCPCMV	LED compatible external stem & swivel mount electronic photocontrol ²

²Please use LED compatible electronic components to maintain warranty.

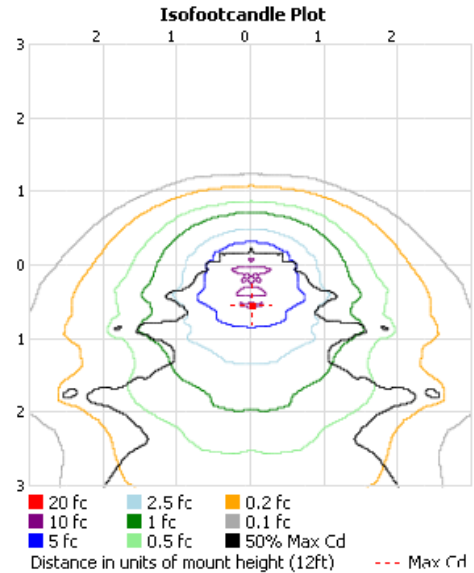
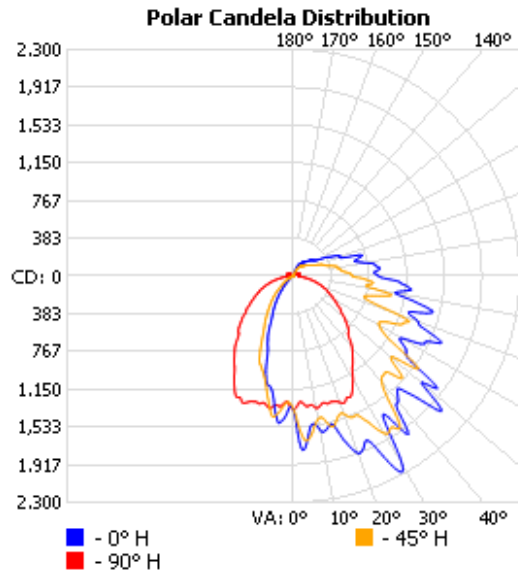


Online Resources



*Foreign and domestic components.

Photometric Details (Data shown for MWP-5055R model at 12ft. mounting height)



Illuminance at a Distance

	Center Beam fc	Beam Width	
2.0ft	338.9 fc	4.2 ft	3.3 ft
4.0ft	84.7 fc	8.5 ft	6.5 ft
6.0ft	37.7 fc	12.7 ft	9.8 ft
8.0ft	21.2 fc	17.0 ft	13.0 ft
10.0ft	13.6 fc	21.2 ft	16.3 ft
12.0ft	9.4 fc	25.5 ft	19.5 ft

■ Vert. Spread: 93.5°
■ Horiz. Spread: 78.3°

Performance - Lighting Facts

LED lighting facts[®]
A Program of the U.S. DOE

Light Output (Lumens) **2362**
Watts **21.57**
Lumens per Watt (Efficacy) **109.55**

Color Accuracy
Color Rendering Index (CRI) **83**

Light Color
Correlated Color Temperature (CCT) **5120 (Daylight)**

2700K 3000K 4500K 6500K

Warm White Bright White Daylight

All results are according to IESNA LM-79-2008: Approved Method for the Electrical and Photometric Testing of Solid-State Lighting. The U.S. Department of Energy (DOE) verifies product test data and results.

Visit www.lightingfacts.com for the Label Reference Guide.

Registration Number: -V2A7DW (3/9/2017)
Model Number: MWP-5028R-LED-MV [upgraded on 03/09/2017]
Type: Luminaire - Area/Roadway

LED lighting facts[®]
A Program of the U.S. DOE

Light Output (Lumens) **4668**
Watts **40.67**
Lumens per Watt (Efficacy) **114.78**

Color Accuracy
Color Rendering Index (CRI) **83**

Light Color
Correlated Color Temperature (CCT) **5165 (Daylight)**

2700K 3000K 4500K 6500K

Warm White Bright White Daylight

All results are according to IESNA LM-79-2008: Approved Method for the Electrical and Photometric Testing of Solid-State Lighting. The U.S. Department of Energy (DOE) verifies product test data and results.

Visit www.lightingfacts.com for the Label Reference Guide.

Registration Number: -814ZIO (3/9/2017)
Model Number: MWP-5040R-LED-MV [upgraded on 03/09/2017]
Type: Luminaire - Area/Roadway

LED lighting facts[®]
A Program of the U.S. DOE

Light Output (Lumens) **5494**
Watts **51.23**
Lumens per Watt (Efficacy) **107.24**

Color Accuracy
Color Rendering Index (CRI) **83**

Light Color
Correlated Color Temperature (CCT) **5000 (Daylight)**

2700K 3000K 4500K 6500K

Warm White Bright White Daylight

All results are according to IESNA LM-79-2008: Approved Method for the Electrical and Photometric Testing of Solid-State Lighting. The U.S. Department of Energy (DOE) verifies product test data and results.

Visit www.lightingfacts.com for the Label Reference Guide.

Registration Number: -C65MSR (3/9/2017)
Model Number: MWP-5055R-LED-MV [upgraded on 03/09/2017]
Type: Luminaire - Area/Roadway