

| | |
|-----------|-------|
| PROJECT: | |
| CATALOG # | |
| TYPE: | DATE: |

LED VAPOR TIGHT STRIP

DESCRIPTION

The LED Vapor Tight Slimline Strip is a uniquely slim and durable industrial fixture well-suited for harsh environments both indoor and outdoor.

At only 1.8" in diameter, this compact fixture works well in tight spaces. It can be surface mounted to a ceiling or wall, or suspension mounted depending on the application. It can also be directly connected to 1/2" NPT conduit and daisy chained to cover more ground from a single power source .

Designed for specifically harsh environments, this vapor tight fixture provides protection against moisture, vapors or dust. It's IP67 and IK10 ratings guarantee it's durability in challenging applications. The fixture is also NSF rated for use in food processing and food safe environments. Even the stainless steel mounting hardware is corrosion resistant, providing long term peace of mind that your LED lighting is up to task.



FEATURES

- IP67 and IK10 rated
- NSF rated
- Corrosion resistant (fixture and mounting hardware)
- DLC 5.1 Standard (up to 130 LPW)
- Daisy chain capabilities
- Direct connection to 1/2" NPT conduit
- 0-10V dimming
- 50,000-hour rated life
- 5 year warranty
- 5' cable attached

APPLICATIONS

- Commercial
- Industrial
- Manufacturing
- Warehouse
- Display
- Corridors
- Cold Storage/Freezers
- Stairways
- Car washes
- Parking Garages

MOUNTING

- Surface
- Suspension
- Continuous row

CERTIFICATIONS



SPECIFICATIONS

Life (@L70): 50,000 hours

Warranty: 5 years

PERFORMANCE

Operating temp: -22°F to 122°F (-30°C to 50°C)

Efficacy (LPW): 130 LPW

CRI: 80

ELECTRICAL

Input voltage: 120-277V

Input frequency: 50/60Hz

PF: ≥.91

THD: <20

Surge protection: N/A

Dimming: 0-10V

Minimum dimming: 6%

Aux. Voltage: N/A

Driver CL: No

Whip/Cord: Yes, 5'

Sensor: N/A

OPTICAL

Beam: 120°

Lens: Polycarbonate Frosted

UGR: <22

PHYSICAL

Finish: Smooth

Color: White

Housing: Aluminum + PC

INDUSTRY STANDARDS/RATINGS

IP: 67

IK: 10

Location: Wet

IC: N/A

UL/ETL: UL

NSF: Yes

FCC: Yes

RoHS: Yes

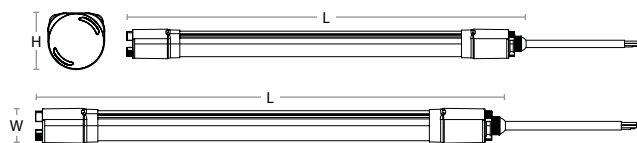
DLC: 5.1 Standard

SIZING

| ORDER# | SIZE |
|------------|------|
| VT55US840P | 8' |
| VT55US850P | 8' |
| VT30US440P | 4' |
| VT30US450P | 4' |

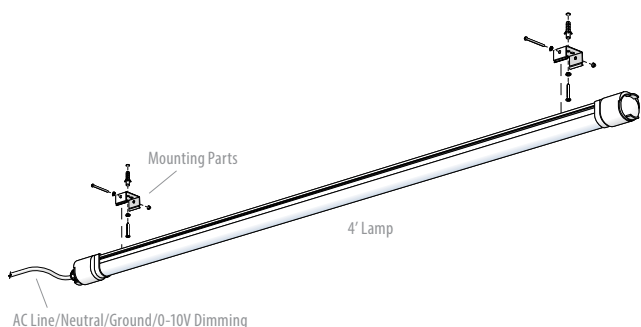
DIMENSIONS / WEIGHT

| ORDER# | SIZE | LENGTH | WIDTH | HEIGHT | WEIGHT |
|------------|------|--------|-------|--------|----------|
| VT55US840P | 8' | 96" | 1.8" | 1.8" | 7.2 lbs |
| VT55US850P | 8' | 96" | 1.8" | 1.8" | 7.2 lbs |
| VT30US440P | 4' | 48" | 1.8" | 1.8" | 3.75 lbs |
| VT30US450P | 4' | 48" | 1.8" | 1.8" | 3.75 lbs |



INSTALLATION

OVERVIEW

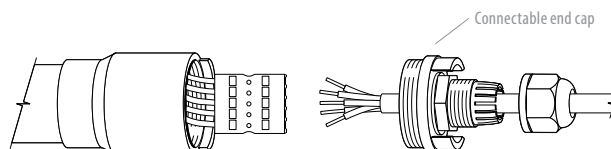


CONNECTABILITY

The LED Vapor Tight can be daisy chained, enabling coverage of a larger area from one power source.

Max number of fixtures that can be connected:

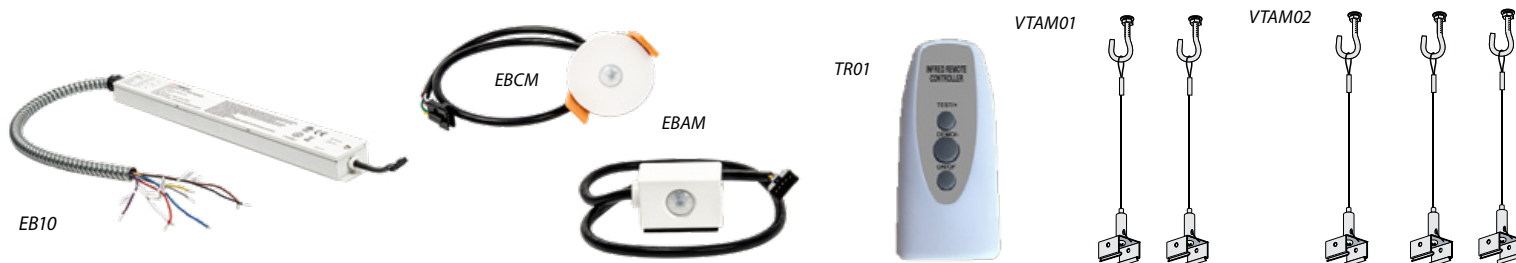
| WATTS | MAX QUANTITY IN DAISY CHAIN |
|-------|-----------------------------|
| 30 | 33 |
| 55 | 18 |



Above: The stock end cap has been removed and replaced with the connectable liquid-tight fitting (included), facilitating the connection between two fixtures while maintaining the same protection from the elements. This liquid tight-fitting also enables a direct connection to 1/2" NPT conduit.

ORDERING

| ORDERING CODE | DESCRIPTION | TYPE | WATTS | VOLTS | CCT (K) | LUMENS |
|---------------|---------------------------------------|------|-------|---------|---------|--------|
| VT30US440P | 30W 4' LED VAPOR TIGHT 120-277V 4000K | 4' | 30 | 120-277 | 4000 | 3,900 |
| VT30US450P | 30W 4' LED VAPOR TIGHT 120-277V 5000K | | | | 5000 | |
| VT55US840P | 55W 8' LED VAPOR TIGHT 120-277V 4000K | 8' | 55 | | 4000 | 7,150 |
| VT55US850P | 55W 8' LED VAPOR TIGHT 120-277V 5000K | | | | 5000 | |



| ORDERING CODE | DESCRIPTION | ACCESSORY USE |
|---------------|-------------------------------------|---|
| EB10 | 10W Emergency Battery Backup | Supplies battery backup to an individual fixture for up to 90 minutes. <u>Must be ordered with EBCM or EBAM indicator module.</u> |
| EBCM | Ceiling-Mounted Indicator Module | This Ceiling-Mounted Indicator Module (EBCM) can be used with one of Litetronics' emergency battery backup products (EB10, EB10N or EB20) to provide a visual confirmation of the operational status of the EBB unit. This module is typically used in grid ceiling applications where it is recess mounted in a panel adjacent to the fixture. |
| EBAM | Adhesive-Mounted Indicator Module | This Adhesive-Mounted Indicator Module (EBAM) must be used with one of Litetronics' emergency battery backup products (EB10, EB10N or EB20) to provide a visual confirmation of the operational status of the EBB unit. This module is typically used in open ceiling or drywall ceiling applications where the module is applied to the side of the fixture, mounting kit, or a nearby structural element. |
| TR01 | Test Remote Control | Used for testing and demonstrating the functionality of EB10 emergency battery backup integrated products. <ul style="list-style-type: none"> • Only one remote required per area, building or site as necessary. |
| VTAM01 | 4' Vapor Tight Suspension Mount Kit | Used to suspend 4' Vapor Tight light (Use brackets from the Fixture Package and discard the brackets in the Mount Kit). |
| VTAM02 | 8' Vapor Tight Suspension Mount Kit | Used to suspend 8' Vapor Tight light (Use brackets from the Fixture Package and discard the brackets in the Mount Kit). |