

LED TUNABLE STRIP FIXTURE

DESCRIPTION

The LED Strip Fixture is a modern, energy-efficient, linear lighting solution that delivers consistent, high-quality light distribution, minimal energy usage and zero maintenance.

Designed with versatility in mind, the tunable model includes adjustable color temperature as well as adjustable wattage, allowing the installer to fine-tune the fixture to better meet the needs of the application. Each size offers a range of three color temperature settings (3500K, 4000K & 5000K) as well as three unique wattage settings.

The fixture is available in either 2', 4' or 8' lengths and can be surface, suspension, or t-grid mounted, either in a single-fixture configuration or as a continuous row to cover more ground from one power source. The lightweight, two-piece design makes installation quick and easy, reducing overall project time.



FEATURES

- Adjustable color temperature (3500K, 4000K, 5000K)
- Adjustable light output/wattage
- 130 lumens per watt (lm/W)
- DLC Premium
- ETL rated for damp locations
- 10-year warranty
- 100,000-hour rated life (@L70)
- Continuous row mounting (daisy chaining)
- 0-10V dimming (0% minimum)
- Polycarbonate frosted lens with translucent end caps
- Available in 2', 4' and 8' lengths

APPLICATIONS

- Commercial
- Industrial
- Retail
- Manufacturing
- Warehouse
- Display
- Corridors
- Storage
- Stairways

MOUNTING

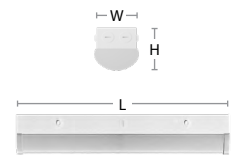
- Surface
- Suspension
- Continuous row
- T-grid (standard or angled for wall wash applications)

SPECIFICATIONS

- Input voltage: 120-277V
- Operating temp: -4°F – 113°F
- Beam angle: 120°
- CRI: >80
- Lumens per Watt: 130
- Surge protection: 2KV
- Power factor: > 0.9
- THD (Max): <20
- Input frequency: 50/60
- IP rating: 20
- Average rated life (@L70): 100,000-hours
- Warranty: 10-years
- ETL listed: Yes
- Location rating: Damp
- DLC rating: Premium
- RoHS Compliant: Yes

DIMENSIONS

SIZE	LENGTH	WIDTH	HEIGHT	WEIGHT
2'	23.97"	3.26"	2.95"	2.4 lbs.
4'	48.04"	3.26"	2.95"	3.75 lbs
8'	95.98"	3.26"	2.95"	7.2 lbs



CERTIFICATIONS



ORDERING

Listed below are the included wattage settings and lumens for each model number.

SFS2 2' Tunable LED Strip Fixture				SFS4 4' Tunable LED Strip Fixture				SFS8 8' Tunable LED Strip Fixture			
ROOT MODEL #	DESCRIPTION			ROOT MODEL #	DESCRIPTION			ROOT MODEL #	DESCRIPTION		
EXT. MODEL #	WATTS	LUMENS	CCT	EXT. MODEL #	WATTS	LUMENS	CCT	EXT. MODEL #	WATTS	LUMENS	CCT
SFS23515	15	1,950	3500	SFS43530	30	3,900	3500	SFS83550	50	6,500	3500
SFS24015	15	1,950	4000	SFS44030	30	3,900	4000	SFS84050	50	6,500	4000
SFS25015	15	1,950	5000	SFS45030	30	3,900	5000	SFS85050	50	6,500	5000
SFS23520	20	2,600	3500	SFS43540	40	5,200	3500	SFS83560	60	7,800	3500
SFS24020	20	2,600	4000	SFS44040	40	5,200	4000	SFS84060	60	7,800	4000
SFS25020	20	2,600	5000	SFS45040	40	5,200	5000	SFS85060	60	7,800	5000
SFS23525	25	3,250	3500	SFS43550	50	6,500	3500	SFS83570	70	9,100	3500
SFS24025	25	3,250	4000	SFS44050	50	6,500	4000	SFS84070	70	9,100	4000
SFS25025	25	3,250	5000	SFS45050	50	6,500	5000	SFS85070	70	9,100	5000

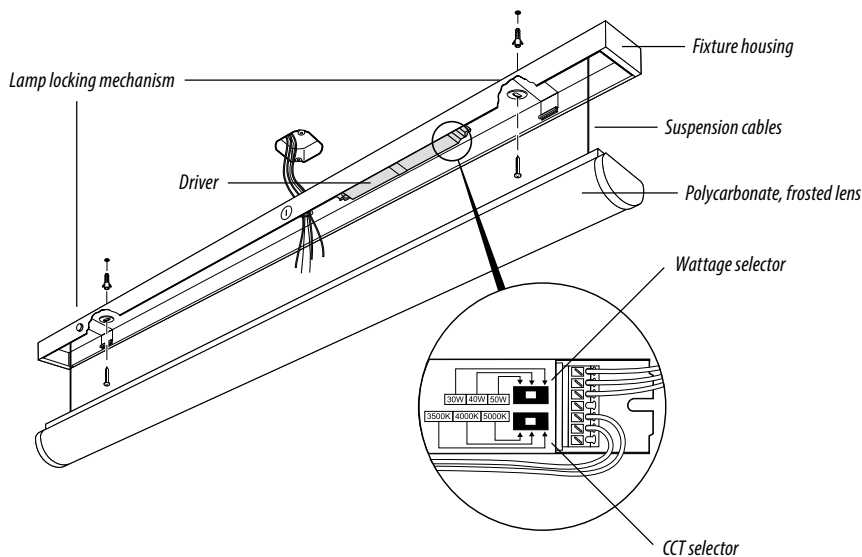
ORDERING CODE	DESCRIPTION	USAGE
SFAM02	Suspension Mount Kit	Suspend Strip Fixtures from ceiling surface. Note: Two kits needed for 8' assembly. Cable is 5' in length. Weight rating is 25 lbs.
SFAM06	4' Wire Harness Kit	Connect two or more 4' Strip Fixtures together from one power source.
SFAM07	8' Wire Harness Kit	Connect two or more 8' Strip Fixtures together from one power source.
EB10	10W Emergency Battery Backup	Supplies battery backup to an individual fixture for up to 90 minutes. <u>Must be ordered with EBCM or EBAM indicator module.</u>
EBCM	Ceiling-mounted Indicator Module	In grid ceiling applications, this unit connects to the EB10 and is recess mounted in an adjacent panel where it displays the unit's current status of operation.
EBAM	Adhesive-mounted Indicator Module	In drywall/open ceiling applications, this unit connects to the EB10 and is mounted via adhesive, where it displays the unit's current status of operation.



For a sensor-equipped version of this fixture, check out our [4' LED Strip with Built-In Sensor](#).

ROOT MODEL #	DESCRIPTION	WATTS	LUMENS	CCT
SWFS4	4' LED Strip with Built-In Sensor	30, 40, 50	3,900 5,200 6,500	3500 4000 5000

OVERVIEW AND INSTALLATION



Continuous Mounting

The Strip Fixture can be continuously mounted from one power source. Below are the total units that can be connected per wattage setting.

WATTAGE	TOTAL UNITS
15	88
20	66
25	52
30	44
40	33
50	26
60	22
70	18

HAVE QUESTIONS?

Our Customer Service team can help. Call us at 800-860-3392 or send an email to customerservice@litetronics.com