

# LITETRONICS®

## LED Strip Fixture C-Series

### Installation Instructions

Ordering Code: SR Series

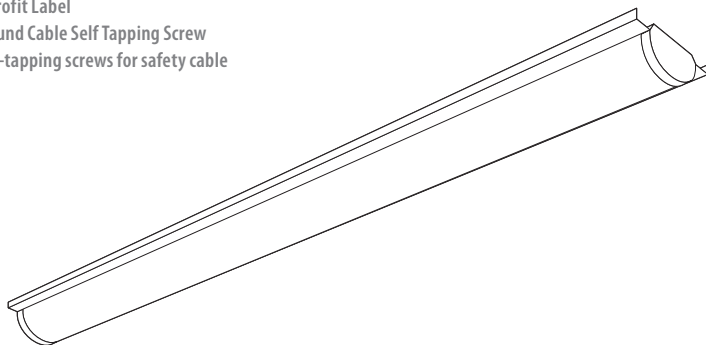
---

#### WHAT COMES IN THE BOX

- (1) LED Strip Retrofit
- (1) Installation instructions
- #8 x 1/2" Self-tapping screws -  
(4) For 4' fixtures | (6) For 8' fixture
- (1) Service Label
- (1) Retrofit Label
- (1) Ground Cable Self Tapping Screw
- (2) Self-tapping screws for safety cable

#### TOOLS NEEDED

- Wire Stripper
- Wire Cutter
- Phillips Screwdriver
- Step Ladder



---

## SAFETY INSTRUCTIONS AND WARNINGS

When using electrical equipment, basic safety precautions should always be observed.

Read and follow all safety instructions.

- Installation should only be conducted by a qualified electrician in accordance with NEC and any relevant local building codes.
- Risk of fire or electric shock. Fixture installation requires knowledge of luminaires electrical systems. If not qualified, do not attempt installation. Contact a qualified electrician.
- Be certain electrical power is OFF before and during installation and maintenance.
- Fixtures must be connected to a wiring system with an equipment-grounding conductor.
- Make sure the supply voltage is the same as the rated luminaire fixtures voltage.
- Only those open holes indicated in the photographs and/or drawings may be made or altered as a result of this kit strip installation. Do not leave any other open holes in an enclosure of wiring or electrical components.
- To prevent wiring damage or abrasion, do not expose wiring to edges of sheet metal or sharp objects.
- Suitable for damp locations.

# INSTALLATION

---

## **BEFORE BEGINNING INSTALLATION, TURN OFF POWER AT THE CIRCUIT BREAKER.**

1. Inspect the Strip Retrofit to understand its components. See Figure A.
2. Remove the existing tubes, sockets, cover plate and ballast. Leave the housing in place.
3. Raise the LED Strip Retrofit up to the housing, lining it up to its final position. Secure the safety cables by screwing them directly into the housing using the provided self-tapping screws. The retrofit will now hang from the housing.
4. Once fixture is securely hanging, make wiring connections using the included quick-connector.

*Black = AC Line*

*Purple = Dimming (+)*

*White = AC Neutral*

*Pink = Dimming (-)*

*Green = Ground*

5. When wiring is complete, raise the retrofit up to the housing and secure it using the included #8 x 1/2" screws. Use the pre-drilled holes on each side of the retrofit as a guide.
6. Apply the included retrofit service labels to the outside of the housing.
7. Restore power and your installation is complete.

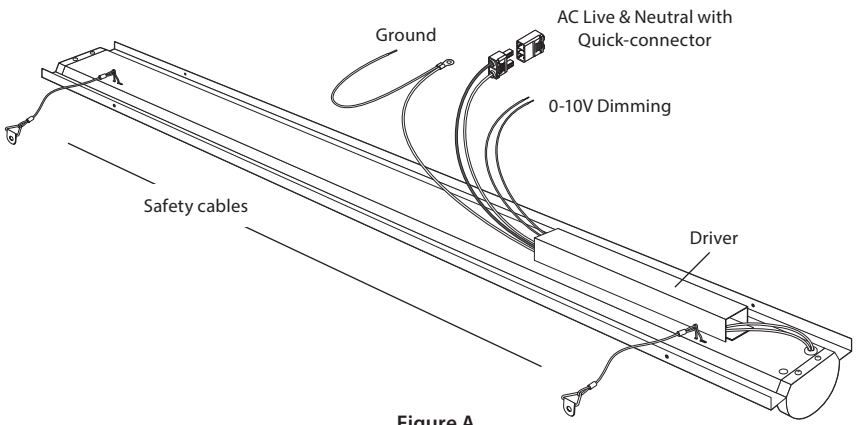
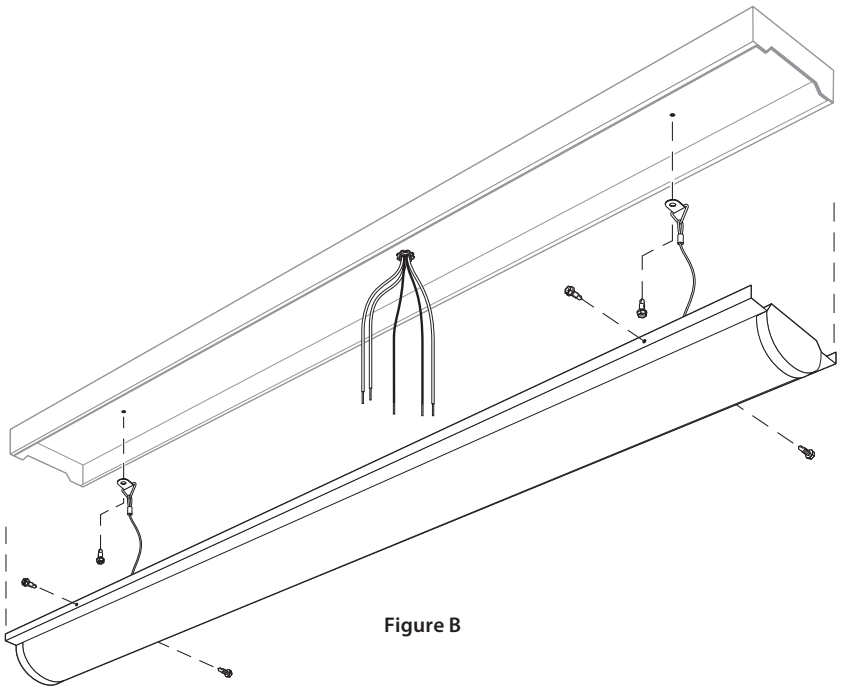


Figure A



Thank you for choosing

**LITETRONICS®**

6969 W. 73rd Street  
Bedford Park, IL 60638

[www.Litetronics.com](http://www.Litetronics.com)

[CustomerService@Litetronics.com](mailto:CustomerService@Litetronics.com) or 1-800-860-3392



The information and product specifications contained in these instructions are based upon data believed to be accurate at the time of printing. This information is subject to change without notice and without incurring liability. If you have questions regarding specific product details, please contact us at 800-860-3392 or via email at [customerservice@litetronics.com](mailto:customerservice@litetronics.com).

To check for an updated version of these instructions, please visit [www.litetronics.com](http://www.litetronics.com).

7/15/22-V1.1