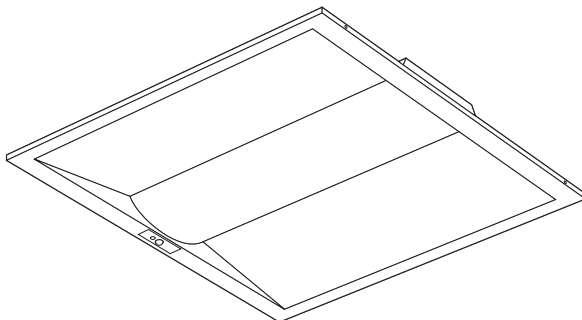


# LITETRONICS®

## **LED Smart Tunable Volumetric Troffer** **Installation Instructions**

VL-Series | 2' x 2', 2' x 4' & 1' x 4'



### **WHAT COMES IN THE BOX**

LED Volumetric Troffer  
Wire Nut (x3)  
Installation Instructions

### **TOOLS NEEDED**

Phillips Screwdriver

---

## **SAFETY INSTRUCTIONS AND WARNINGS**

**When using electrical equipment, basic safety precautions should always be observed. Read carefully before installing fixture. Retain these instructions for future reference.**

Litetronics fixtures must be wired in accordance with the National Electrical Code and all applicable local codes.

Risk of fire or electric shock. Light Panel installation requires knowledge of luminaires electrical systems. If not qualified, do not attempt installation. Contact a qualified electrician.

Be certain electrical power is OFF before and during installation and maintenance.

Light Panel must be connected to a wiring system with an equipment – grounding conductor.

Make sure the supply voltage is the same as the rated luminaire voltage.

Only the open holes indicated in the photographs and/or drawings may be made or altered as a result of this kit installation. Do not leave any other open holes in an enclosure of wiring or electrical components.

To prevent wiring damage or abrasion, do not expose wiring to edges of sheet metal or sharp objects.

No user serviceable parts inside of the Light Panel.

Suitable for damp locations.

Suitable for 9/16" or 15/16" Flat Tee Grid in both insulated ceilings and non-insulated ceilings. Access above ceiling required.

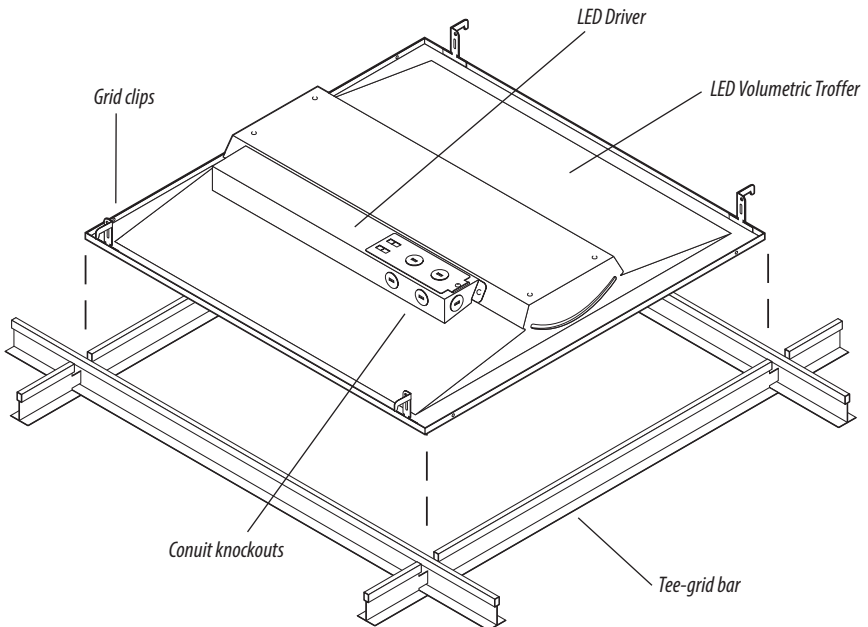
Vapor barrier must be suitable for 90° C.

Fixture to be independently supported to building structure.

# INSTALLATION PROCEDURE

## INSTALLATION INSTRUCTIONS

1. Turn off power at the electrical panel.
2. Remove the ceiling tile or existing fixture from the grid ceiling space.
3. Before installing, locate the four grid clips on your panel; bend them up and out so they can rest on top of the grid.
4. Tilt and raise the panel up into the empty grid space, then lower until the grid clips catch on the tee-grid bar. Attach the panel to the building with support wires (not included) using the hole in the grid clip.
5. Unscrew and remove the driver cover to access the input wires.
6. Remove one conduit knock-out from the driver, then run branch power wire from the conduit to the driver.
7. Connect power wires AC-L (Black) and AC-N (White) and ground wires (Green & Yellow) into corresponding driver wires.
8. Close the driver cover and secure it with the screw.
9. Replace the ceiling tiles, turn on the power and your installation is complete.



# INSTALLATION PROCEDURE

## SENSOR CONTROLS

The Smart LED Volumetric Troffer is equipped with a built-in PIR sensor, which enables wireless control of various functions, such as occupancy sensing, daylight harvesting, dimming.

The following options are available for controlling your Smart LED Volumetric Troffer.



**LiteSmart\*** mobile app – Available in the app store for download to either iOS or Android devices.

LiteSmart offers complete control over your fixtures; includes occupancy sensing, daylight harvesting, dimming, grouping, time schedule programming and scene creation.

A supplemental app, **LiteBright\***, enables additional energy management functionality with the ability to set the max wattage of your fixtures.



**Bluetooth Control Switch** – Available for purchase from Litetronics under part #BCS02, #BCS03.

This wireless bluetooth switch offers control over your fixture from a remote location, enabling quick access to on/off functionality as well as dimming control, daylight harvesting and scene selection.

## SENSOR DEFAULT SETTINGS\*\*

OCCUPANCY SENSING	HOLD TIME - FULL POWER	HOLD TIME - 50% POWER
On	20 minutes	1 minute

*\*\*To adjust settings for occupancy sensing, enable daylight harvesting or to group and program fixtures, download the LiteSmart mobile app.*



Scan for a guide on how to commission your project with the LiteSmart mobile app

Scan for the LiteSmart mobile app user guide



Scan for a digital version of these installation instructions

Thank you for choosing

**LITETRONICS®**

6969 W. 73rd Street  
Bedford Park, IL 60638

WWW.LITETRONICS.COM

CustomerService@Litetronics.com or 1-800-860-3392



The information and product specifications contained in these instructions are based upon data believed to be accurate at the time of printing. This information is subject to change without notice and without incurring liability. If you have questions regarding specific product details, please contact us at 800-860-3392 or via email at [customerservice@litetronics.com](mailto:customerservice@litetronics.com).

To check for an updated version of these instructions, please visit [www.litetronics.com](http://www.litetronics.com).

8/15/23 - V2.3