

PROJECT:	
CATALOG #	
TYPE:	DATE:

## LED MAGNETIC RETROFIT

FOR 1' x 4' FLUORESCENT STRIP FIXTURES AND WRAPS

### DESCRIPTION

Litetronics has simplified the process of converting fluorescent strip fixtures to LED. The 1' x 4' LED Magnetic Retrofit is perfectly suited for upgrading single 4' fixtures, 8' fixtures or continuous row mounting. Both the 1-tube and 2-tube configurations are connectable, offering the ability to daisy chain multiple fixtures in order to cover more ground from one power source. To further support the installation process, each unit is equipped with rare earth magnets at both ends, allowing the installer to magnetically attach the retrofit to the inside of the fixture, leaving them with two free hands for wiring and alignment before securing the final screws.

Each tube configuration generates up to 157 LPW of flicker free, consistent light, which results in a significant reduction in energy use compared to fluorescent fixtures. This LED retrofit is rated for a 100,000-hour life (@L70), meaning that you'll see very little degradation over a long period of time.



### FEATURES

- Up to 157 LPW
- Rare earth magnets
- 100,000-hour rated life
- 10-year warranty
- Flicker free driver
- 0-10V dimming (select models)
- Connectivity options (direct or via various length cords)

### BENEFITS

- Significant reduction in energy use over fluorescent bulbs
- Consistent, flicker free light output over the life of the lamp
- Simple installation process
- Ability to daisy chain for continuous row mounting mains and 0-10VDC dimming
- Suitable for damp locations
- Compatible with Emergency Battery Backup

### MARKETS

- Schools and universities
- Offices and municipal buildings
- Healthcare facilities and hospitals

### APPLICATIONS

- Grid/drop ceilings
- Fluorescent troffers
- Strip fixtures
- Fluorescent wraps

### CERTIFICATIONS



## SPECIFICATIONS

**Life (@L70):** 100,000 hours @L70

**Warranty:** 10 years

### PERFORMANCE

**Operating temp:** -5°F to 95°F (-20.5°C to 35°C)

**Efficacy (LPW):** 157 LPW

**CRI:** 82

### ELECTRICAL

**Input voltage:** 120-277V

**Input frequency:** 50/60Hz

**PF:** ≥.9

**THD:** N/A

**Surge protection:** N/A

**Dimming:** 0-10V

**Minimum dimming:** N/A

**Aux. Voltage:** No

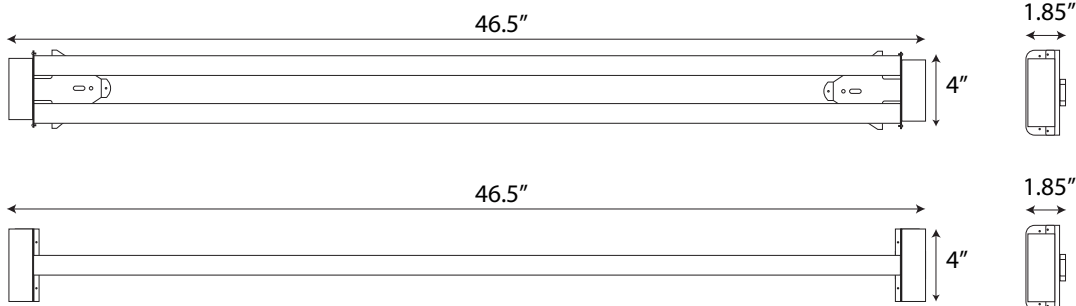
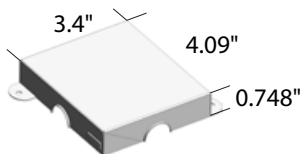
**Driver CL:** N/A

**Whip/Cord:** No

**Sensor:** No

### DIMENSIONS / WEIGHT

ORDER#	LENGTH	WIDTH	HEIGHT
RFM262T140DL	46.5"	4"	1.85"
RFM262T150DL	46.5"	4"	1.85"
RFM131T140DL	46.5"	4"	1.85"



### OPTICAL

**Beam:** N/A

**Lens:** N/A

**UGR:** N/A

### PHYSICAL

**Finish:** N/A

**Color:** White

**Housing:** N/A

### INDUSTRY STANDARDS/RATINGS

**IP:** N/A

**IK:** N/A

**Location:** Damp

**IC:** N/A

**UL/ETL:** UL

**FCC:** Yes

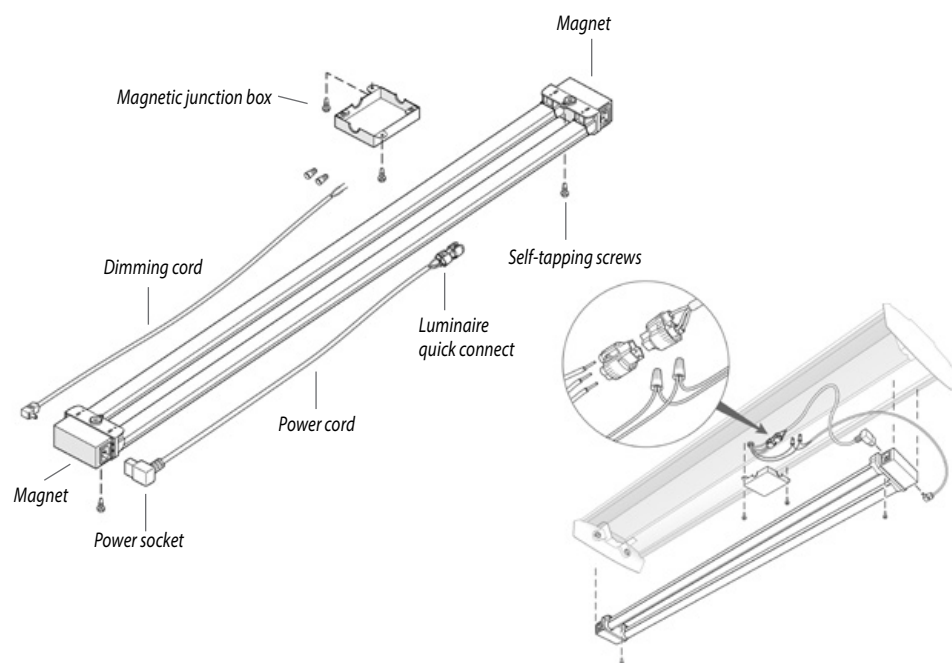
**RoHS:** Yes

**DLC:** 5.1 Standard

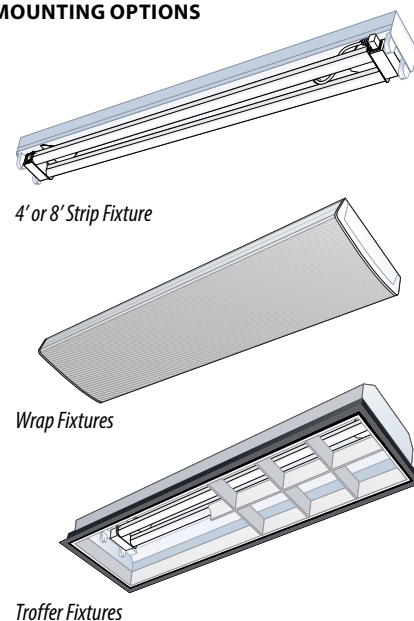
### ACCESSORIES

- Power and dimming connectors for continuous row mounting.
- Emergency Battery Backup.

## PRODUCT OVERVIEW AND INSTALLATION



### MOUNTING OPTIONS

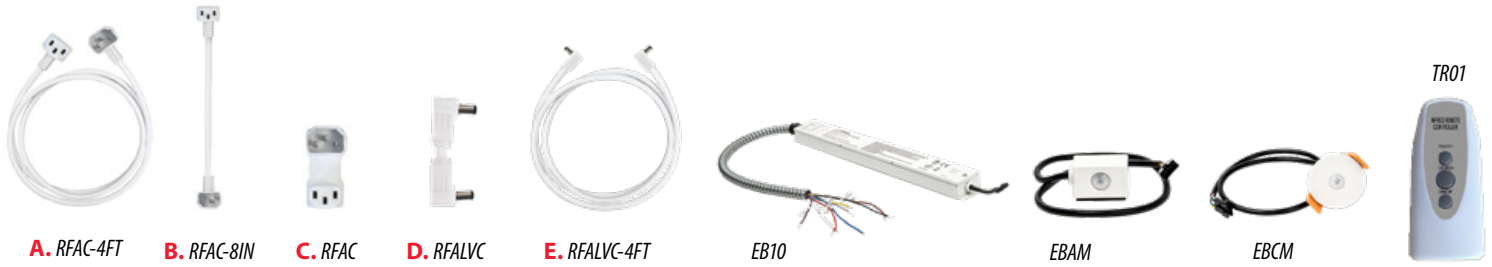


## ORDERING INFORMATION

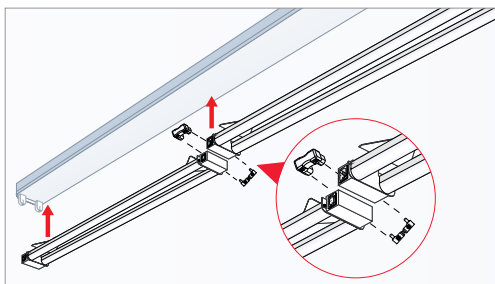
Listed below are the max wattage settings and lumens for each model number.

ORDERING CODE	DESCRIPTION	WATTS	CCT (K)	RETROFIT LUMENS*	LUMINAIRE LUMENS**	MAX CONTINUOUS LOAD
RFM262T140DL	26W 1' x 4' LED Magnetic Retrofit in 4000K	26	4000	4,080	3,250	22 Units
RFM262T150DL	26W 1' x 4' LED Magnetic Retrofit in 5000K	26	5000	4,080	3,250	22 Units
RFM131T140DL	13W 1' x 4' LED Magnetic Retrofit in 4000K	13	4000	2,040	1,625	44 Units

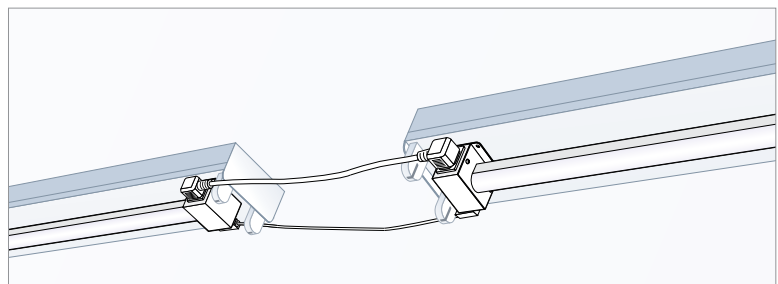
## ACCESSORIES



ORDERING CODE	DESCRIPTION	ACCESSORY USE
A. RFAC-4FT	4'- Retrofit Lamp to Lamp Power Extension	Power cable for Retrofits up to 4' apart.
B. RFAC-8IN	8"- Retrofit Lamp to Lamp Power Extension	Power cable for Retrofits up to 8" apart
C. RFAC	Retrofit Dual Power Connector	Molded power jumper connects Retrofits end-to-end
D. RFALVC	Retrofit 0-10V Dimming Connector	0-10V dimmer jumper connects Retrofits end-to-end
E. RFALVC-4FT	4'- Retrofit 0-10V Dimming Connector	0-10v dimmer cable for Retrofits up to 4' apart
EB10	10W Emergency Battery Backup	Supplies battery backup to an individual fixture for up to 90 minutes. <u>Must be ordered with EBCM or EBAM indicator module.</u>
EBCM	Ceiling-Mounted Indicator Module	This Ceiling-Mounted Indicator Module (EBCM) can be used with one of Litetronics' emergency battery backup products (EB10, EB10N or EB20) to provide a visual confirmation of the operational status of the EBB unit. This module is typically used in grid ceiling applications where it is recess mounted in a panel adjacent to the fixture.
EBAM	Adhesive-mounted Indicator Module	This Adhesive-Mounted Indicator Module (EBAM) must be used with one of Litetronics' emergency battery backup products (EB10, EB10N or EB20) to provide a visual confirmation of the operational status of the EBB unit. This module is typically used in open ceiling or drywall ceiling applications where the module is applied to the side of the fixture, mounting kit, or a nearby structural element.
TR01	Test Remote Control	Used for testing and demonstrating the functionality of EB10 emergency battery backup integrated products.



Retrofit power (C) and dimming (D) connectors shown in operation



Similar for 4' connectors (A) & (E) 8' Retrofit power (B) and dimming (F) connectors shown in operation

\* Linear ambient lumens

\*\* Based on Photometric testing consistent with IES LM-79 testing; Lumens will vary based on diffuser and fixture.