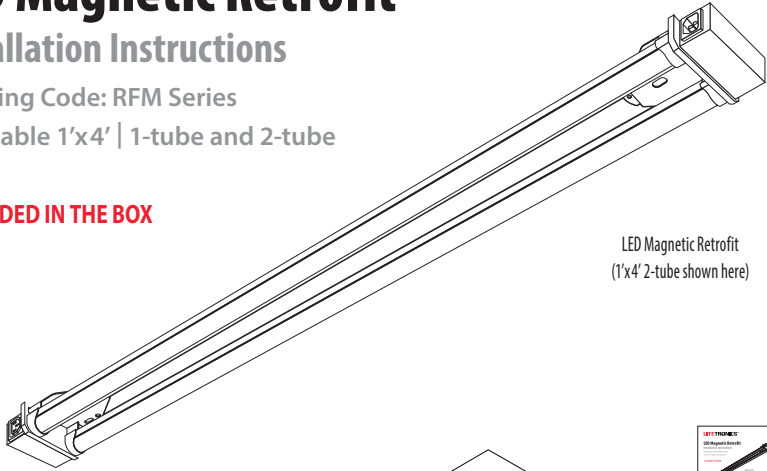


LED Magnetic Retrofit Installation Instructions

Ordering Code: RFM Series

Dimmable 1'x4' | 1-tube and 2-tube

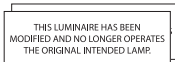
INCLUDED IN THE BOX



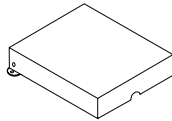
LED Magnetic Retrofit
(1'x4' 2-tube shown here)



Self-tapping screws (4)
#8 x 1/2"



Retrofit labels (2)



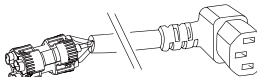
Magnetic Junction Box (1)
Included with 2-tube model only



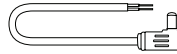
Installation instructions (1)



Split snap bushing (1)



Power cord (input wire with
quick connect) (1)



0-10V dimming cord (1)



Wire nuts (2)

TOOLS NEEDED

Step ladder

Screw driver

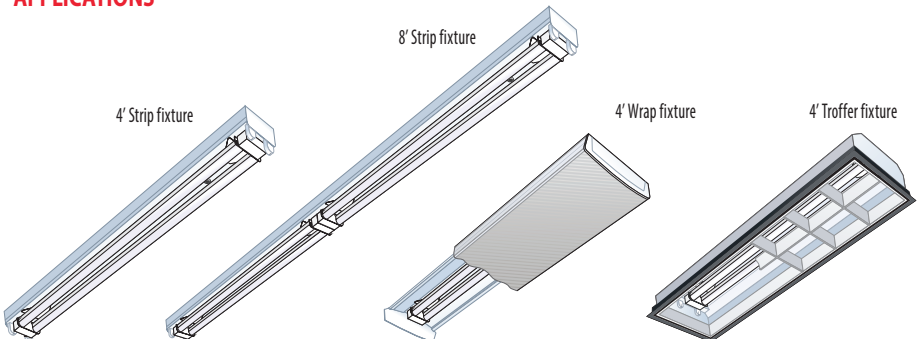
Wire stripper/cutter

Drill with 1/4" nut driver

7/8" (22mm) Bi-metal hole saw

(required only for 4' or 8' strip fixture install)

APPLICATIONS



SAFETY INSTRUCTIONS AND WARNINGS

- When using electrical equipment, basic safety precautions should always be observed.
- Installation should only be conducted by a qualified electrician in accordance with NEC and any relevant local codes.

LED RETROFIT WARNINGS

- Risk of fire or electric shock. LED retrofit kit installation requires knowledge of Luminaires electrical system. If not qualified, do not attempt installation. Contact a qualified electrician.
- Risk of fire or electric shock. Luminaire wiring and electrical parts may be damaged when drilling for installation of LED retrofit kit. Check for enclosed wiring and components.
- This LED Retrofit Kit and Junction Box Cover shall only be installed into a UL/CUL Listed Luminaire with a steel enclosure. Do not install this retrofit kit into luminaires with non-ferrous metal or polymeric enclosures.
- Risk of fire or electric shock. Install this kit only in luminaires that have the construction features and dimensions shown in photograph and/or drawings.
- Do not make or alter any open holes in the enclosure of wiring or electrical components during kit installation.
- To prevent wiring damage or abrasion, do not expose wiring to edges of sheet metal or other sharp objects.

LUMINAIRE DISCONNECT SAFETY INSTRUCTIONS

- WARNING - This is a current rated device. Use in applications involving amperage beyond its rating can be dangerous and cause electrical fires.
- DANGER - Never remove wires from product as contact with electricity can cause serious injury or death. Shut off power at the circuit breaker or remove fuse when installing this product.
- SAFETY NOTICE - Improperly installed electrical wiring can be dangerous and cause electrical fires. This product must be used in accordance with the current rating and wire sizes listed. Consult local building code before doing any electrical work.
- COPPER to COPPER ONLY. Do not use on Aluminum. Temperature rating: 105° C (221° F) maximum. Flame Rated UL94V-0.

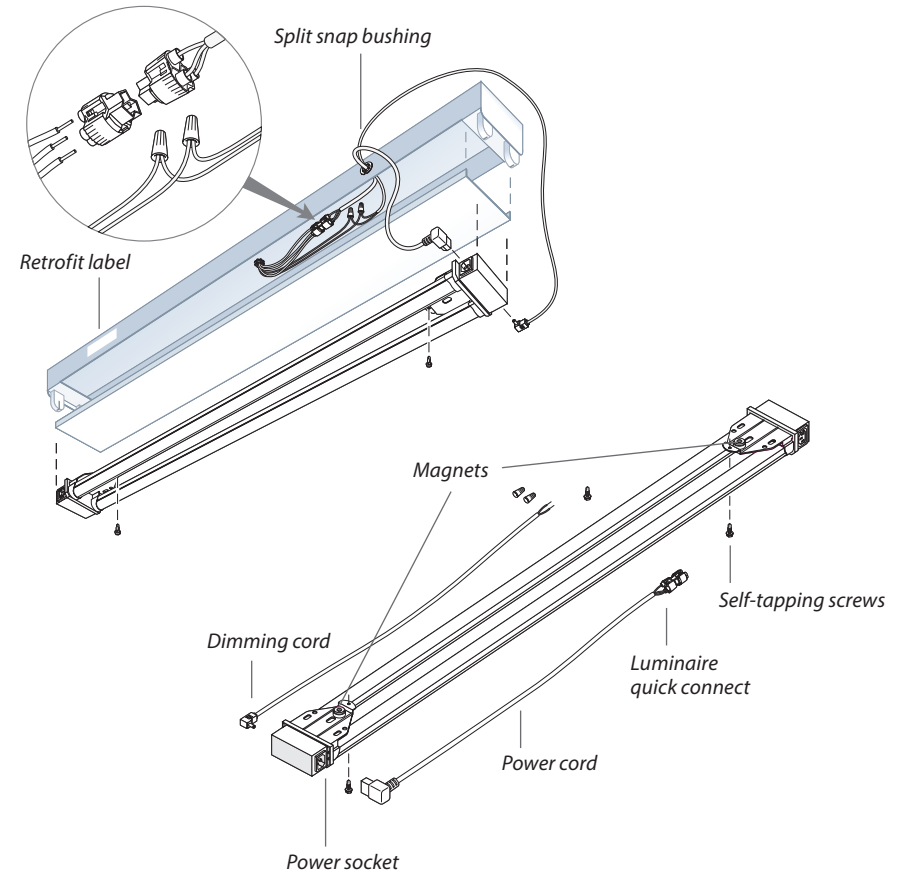
This product is intended for use in a UL/C-UL listed fluorescent recessed (Type IC or Non-IC) or surface-mounted luminaire, with the dimensions specified:

- Fluorescent recessed: 1'x4' 2-tube (RFM26) can be used in a 1'x4' or larger troffer with a diffuser or lens.
- Surface-mounted: 1'x4' 2-tube (RFM26) can be used in a fixture that is 4"x4' or larger. 1'x4' 1-tube (RFM13) can be used in a fixture that is 2"x4' or larger.

PREPARATION - REMOVE EXISTING PARTS

1. Turn off power at the Circuit Breaker
2. Open the cover of the existing fixture
3. Remove the existing tubes and ballast cover. Then disconnect the ballast wires from the incoming electrical line and remove the ballast completely. You do not need to remove the existing tombstones.

1. Connect the incoming electrical lines and ground to the open end of the luminaire quick connect by pushing the wires into the corresponding color coded back and white holes.
2. Connect your dimming lines to the purple (+) and gray (-) wires from the dimming cord. Refer to dimmer instructions.
3. Next, you'll need to drill a hole for the power and dimming cords to feed through. This hole can be made in the side of the fixture or in the ballast cover, but should be in a location that allows the electrical line to reach the retrofit socket.
4. Feed the power and dimming cords through the housing or cover, then reattach the cover.
5. Attach the split snap bushing to the power and dimming cords and insert the bushing into the newly drilled hole.
6. Now, with the magnets facing up, attach the retrofit to the cover of the fixture. Center as needed.
7. Secure the retrofit to the fixture cover using the supplied self-tapping screws.
8. Plug the power cord into the power socket. Then plug the dimming cord into the dimming socket.
9. Apply the retrofit label to the outside of the fixture
10. Your installation is complete. Restore the power and you are done.



CONTINUOUS ROW MOUNTING

Follow these instructions to daisy chain or continuously mount retrofit units from one power source. Two 4' units can be mounted end to end to accommodate an 8' strip fixture.

Mount end-to-end within an 8' strip fixture (see figure 1)

1. To install the first retrofit, follow the instructions on page 3.
2. Once your first unit is installed, place and align the second unit end-to-end with the first.
3. Connect power and dimming between the two units using the Retrofit Dual Connector (RFAC) and the 0-10V connector (RFALVC).
4. Secure the second unit to the fixture cover using the supplied self-tapping screws.
5. Your installation is complete. Restore the power and you are done.

Connect separate 4' fixtures (see figure 2)

1. Install each retrofit unit into the existing strip fixtures, following the instructions on page 3. Only the first will need to be directly wired into a power source.
2. Once each retrofit unit is secured to the fixture, connect power between the units using the Retrofit Lamp-to-Lamp Extension cords, available in 8" or 4' lengths (RFAC-8IN or RFAC-4FT). Then connect the dimming cord, available in 8" or 4' lengths (RFALVC-8IN or RFALVC-4FT).
3. Once all cords are connected, your installation is complete. Restore the power and you are done.

Maximum connectable units based on wattage

13W: Up to 44 units can be connected

26W: Up to 22 units can be connected

Please refer to your dimmer compatibility list for the maximum number of units that can be connected with dimmer, as it will vary per model.

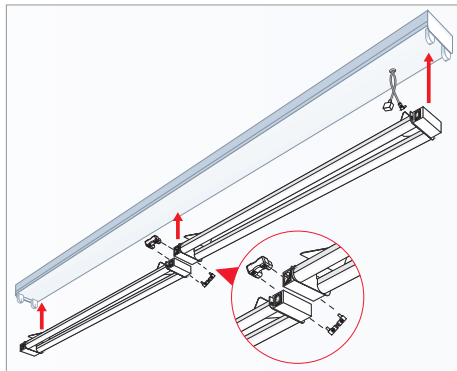


figure 1

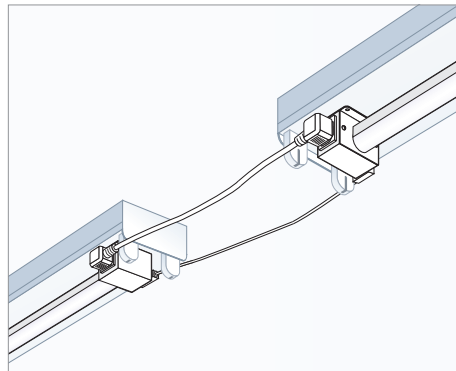
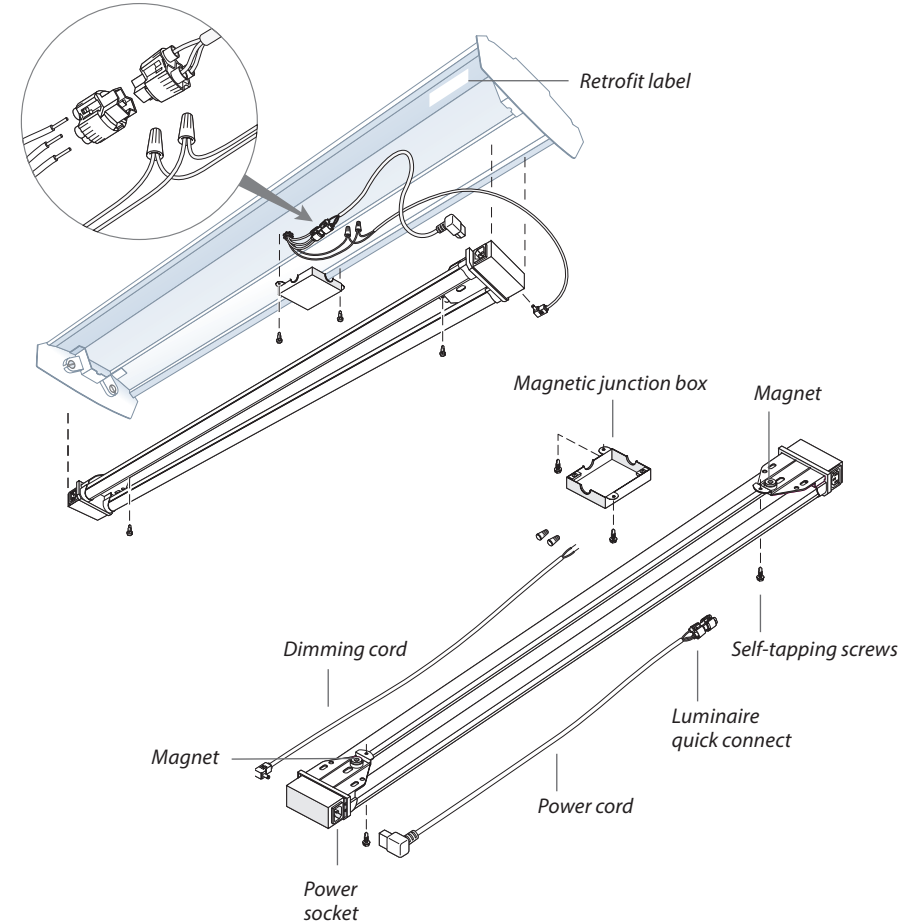


figure 2

4' WRAP OR TROFFER INSTALLATION

1. Connect the incoming electrical lines and ground to the open end of the luminaire quick connect by pushing the wires into the corresponding color coded back and white holes.
2. Connect your dimming lines to the purple (+) and gray (-) wires from the dimming cord. Refer to dimmer instructions.
3. Cover the wiring connections/quick connector with the included magnetic junction box. Secure with self-tapping screws.
4. Now, with the magnets facing up, attach the retrofit into the troffer. Center as needed.
5. Secure the retrofit to the troffer using the supplied self-tapping screws.
6. Plug the power cord into the power socket. Then plug the dimming cord into the dimming socket.
7. Apply the luminaire label to the inside of the troffer.
8. Replace the diffuser or cover.
9. Your installation is complete. Restore the power and you are done.



Thank you for choosing

LITETRONICS®

6969 W. 73rd Street
Bedford Park, IL 60638

WWW.LITETRONICS.COM

CustomerService@Litetronics.com or 1-800-860-3392



The information and product specifications contained in these instructions are based upon data believed to be accurate at the time of printing. This information is subject to change without notice and without incurring liability. If you have questions regarding specific product details, please contact us at 800-860-3392 or via email at customerservice@litetronics.com.

For a digital version of these instructions, please visit www.litetronics.com.

4/27/20