

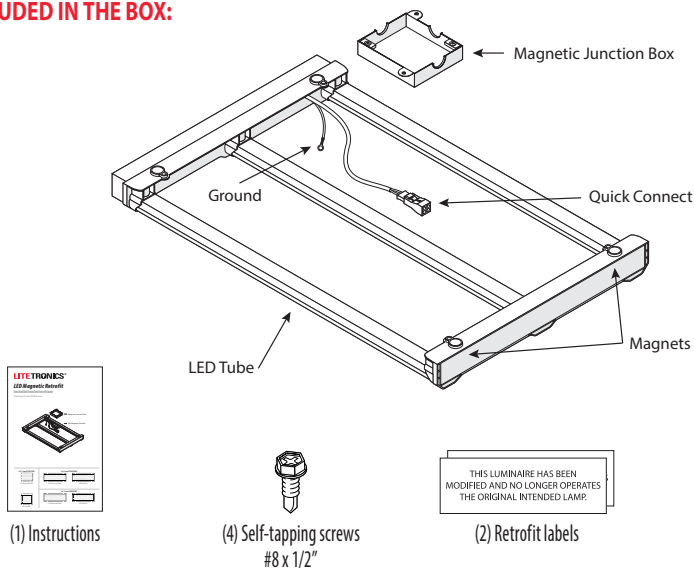
LITETRONICS®

LED Magnetic Retrofit

Installation Instructions

Ordering Code: RFM Switch Dimmable Series

INCLUDED IN THE BOX:



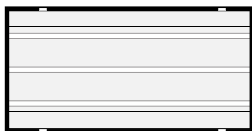
TOOLS NEEDED

Step ladder

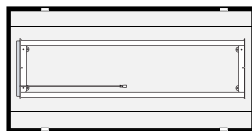
Screw driver

Wire cutter

2'x4', 2-Lamp, RFM2T4XXXW

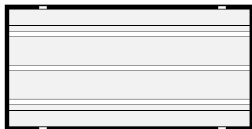


2'x4' fluorescent troffer

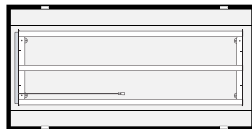


2'x4' LED retrofit kit

2'x4', 3-Lamp, RFM3T4XXXW



2'x4' fluorescent troffer



2'x4' LED retrofit kit

SAFETY INSTRUCTIONS AND WARNINGS

- When using electrical equipment, basic safety precautions should always be observed.
- Installation should only be conducted by a qualified electrician in accordance with NEC and any relevant local codes.

LED RETROFIT WARNINGS

- Risk of fire or electric shock. LED retrofit kit installation requires knowledge of Luminaires electrical system. If not qualified, do not attempt installation. Contact a qualified electrician.
- Risk of fire or electric shock. Luminaire wiring and electrical parts may be damaged when drilling for installation of LED retrofit kit. Check for enclosed wiring and components.
- This LED Retrofit Kit and Junction Box Cover shall only be installed into a UL/CUL Listed Luminaire with a steel enclosure.
- **Do not install this retrofit kit into luminaires with non-ferrous metal or polymeric enclosures.**
- Risk of fire or electric shock. Install this kit only in luminaires that have the construction features and dimensions shown in photograph and/or drawings.
- Do not make or alter any open holes in the enclosure of wiring or electrical components during kit installation.
- To prevent wiring damage or abrasion, do not expose wiring to edges of sheet metal or other sharp objects.
- For use with compatible 0-10V dimmers available online at Litetronics.com/dimmers. Litetronics is continually expanding the compatibility list however, if the dimmer you have is not on the compatible list please call Litetronics at 800-860-3392 to see if Litetronics can setup a test with your dimmer.

LUMINAIRE DISCONNECT SAFETY INSTRUCTIONS

- WARNING - This is a current rated device. Use in applications involving amperage beyond its rating can be dangerous and cause electrical fires.
- DANGER - Never remove wires from product as contact with electricity can cause serious injury or death. Shut off power at the circuit breaker or remove fuse when installing this product.
- SAFETY NOTICE - Improperly installed electrical wiring can be dangerous and cause electrical fires. This product must be used in accordance with the current rating and wire sizes listed. Consult local building code before doing any electrical work.
- COPPER TO COPPER ONLY. Do not use on Aluminum. Temperature rating: 105° C (221° F) maximum. Flame Rated UL94V-0.

This product is intended for use in a UL/C-UL listed Fluorescent Recessed or surface-mounted luminaire, Type IC or Non-IC, with the dimensions specified:

- 2'x2': Part Numbers RFMXT2XXXXW: (2ft x 2ft) or larger with a diffuser or lens.
- 2'x4': Part Numbers RFMXT4XXXXW: (2ft x 4ft) or larger with a diffuser or lens.

SWITCH DIMMING FUNCTIONALITY

Switch dimming enables various levels of brightness in applications where 0-10V dimming isn't possible. Here's how it works:

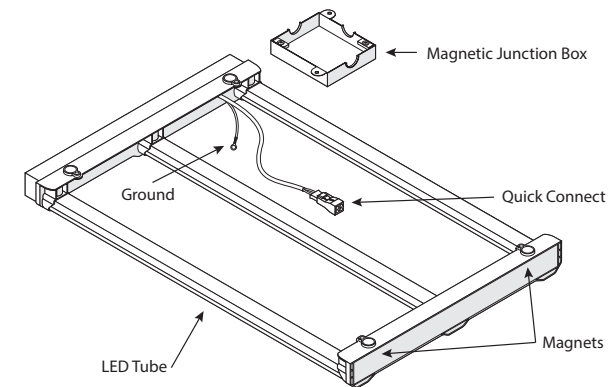
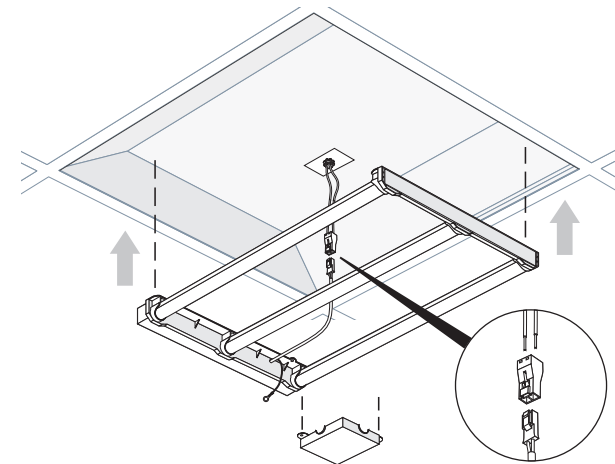
- Turn on the fixture at the switch. The fixture will power on to 100%.
- To cycle through levels of brightness, simply switch the fixture off and then back on within 1 second. The fixture will now be putting out 66% power. Turn it off and on again and it will dim down to 33%.
- If the fixture is powered off for more than a few seconds, it will reset and will power back on to 100%.

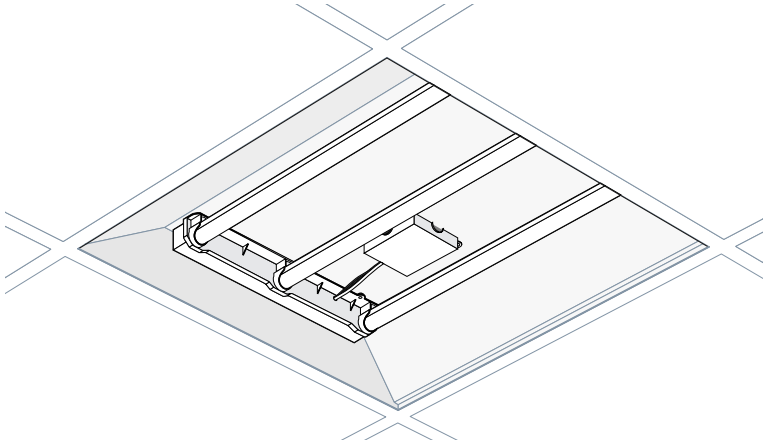
PREPARATION - REMOVE EXISTING PARTS

1. Turn off power at the Circuit Breaker
2. Open the cover of the existing fixture
3. Remove the existing tubes and ballast cover. Then disconnect the ballast wires from the incoming electrical line and remove the ballast completely. You do not need to remove the existing tombstones.

INSTALLING YOUR MAGNETIC RETROFIT

1. Remove the retrofit kit from the packaging and review parts
2. With the magnets facing up, place the retrofit into the troffer. Center as needed.
3. Disconnect the male/female ends of the Quick Connect. Insert the incoming line into the male side. Make sure wires are secure, then reconnect both sides.
4. Connect your ground wire (green) to the troffer
5. Once connections are complete, cover wiring with the included magnetic junction box
6. Secure the retrofit and junction box to the troffer with included self-tapping screws
7. Apply the included retrofit labels to the inside of the troffer
8. Re-attach and close the fixture cover
9. Restore power





Thank you for choosing

LITETRONICS®

6969 W. 73rd Street
Bedford Park, IL 60638

WWW.LITETRONICS.COM

CustomerService@Litetronics.com or 1-800-860-3392



**RoHS
Compliant**

The information and product specifications contained in these instructions are based upon data believed to be accurate at the time of printing. This information is subject to change without notice and without incurring liability. If you have questions regarding specific product details, please contact us at 800-860-3392 or via email at customerservice@litetronics.com.

To check for an updated version of these instructions, please visit www.litetronics.com.

8/6/19