

LED MAGNETIC RETROFIT

for 1' x 4' fluorescent strip fixtures and wraps



Litetronics has simplified the process of converting fluorescent strip fixtures to LED. The 1' x 4' LED Magnetic Retrofit is perfectly suited for upgrading single 4' fixtures, 8' fixtures or continuous row mounting. Both the 1-tube and 2-tube configurations are connectable, offering the ability to daisy chain multiple fixtures in order to cover more ground from one power source. To further support the installation process, each unit is equipped with rare earth magnets at both ends, allowing the installer to magnetically attach the retrofit to the inside of the fixture, leaving them with two free hands for wiring and alignment before securing the final screws.

Each tube configuration generates up to 157 LPW of flicker free, consistent light, which results in a significant reduction in energy use compared to fluorescent fixtures. This LED retrofit is rated for a 100,000-hour life (@L70), meaning that you'll see very little degradation over a long period of time.

BENEFITS

- Significant reduction in energy use over fluorescent bulbs
- Consistent, flicker free light output over the life of the lamp
- Simple installation process
- Ability to daisy chain for continuous row mounting
- Suitable for damp locations
- Compatible with Emergency Battery Backup

KEY FEATURES

- Up to 157 LPW
- Rare earth magnets
- 100,000-hour rated life
- 10-year warranty
- Flicker free driver
- 0-10V dimming (select models)
- Connectability options (direct or via various length cords)

MARKETS

- Schools and universities
- Offices and municipal buildings
- Healthcare facilities and hospitals

APPLICATIONS

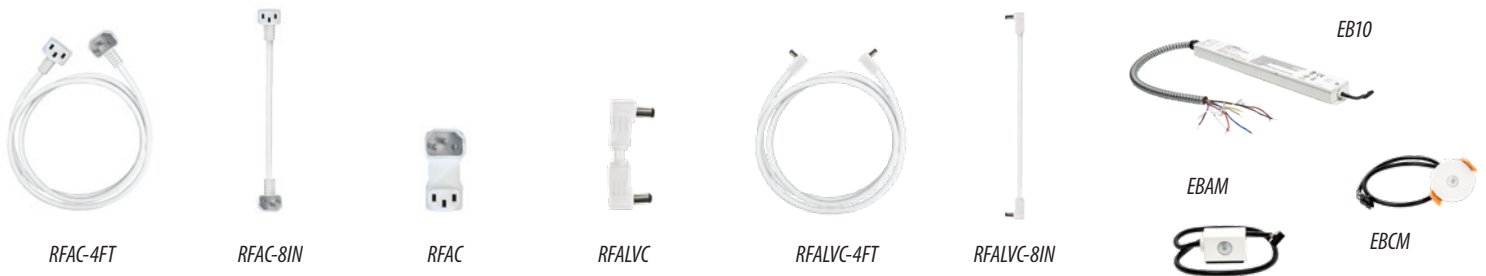
- Grid/drop ceilings
- Fluorescent troffers
- Strip fixtures
- Fluorescent wraps



LED MAGNETIC RETROFIT ORDERING INFORMATION

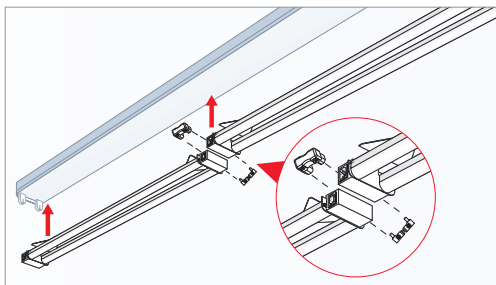
ORDERING CODE	DESCRIPTION	WATTS	CCT (K)	RETROFIT LUMENS*	LUMINAIRE LUMENS**
RFM262T140DL	26W 1' x 4' LED Magnetic Retrofit in 4000K	26	4000	4,080	3,250
RFM262T150DL	26W 1' x 4' LED Magnetic Retrofit in 5000K	26	5000	4,080	3,250
RFM131T140DL	13W 1' x 4' LED Magnetic Retrofit in 4000K	13	4000	2,040	1,625

ACCESSORIES

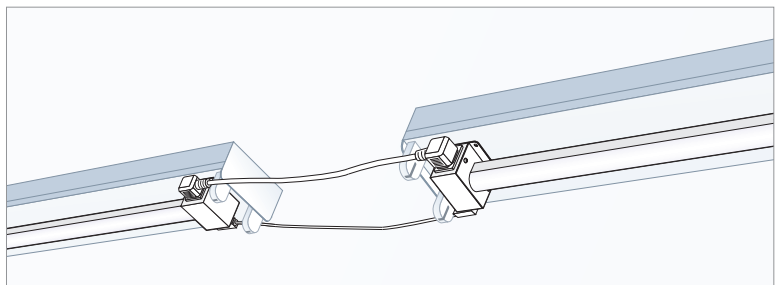


ACCESSORIES

ORDERING CODE	DESCRIPTION	ACCESSORY USE
RFAC-4FT	4'- Retrofit Lamp to Lamp Power Extension	Power cable for Retrofits up to 4' apart.
RFAC-8IN	8"- Retrofit Lamp to Lamp Power Extension	Power cable for Retrofits up to 8" apart
RFAC	Retrofit Dual Power Connector	Molded power jumper connects Retrofits end-to-end
RFALVC	Retrofit 0-10V Dimming Connector	0-10V dimmer jumper connects Retrofits end-to-end
RFALVC-4FT	4'- Retrofit 0-10V Dimming Connector	0-10v dimmer cable for Retrofits up to 4' apart
RFALVC-8IN	8"- Retrofit 0-10V Dimming Connector	0-10v dimmer cable for Retrofits up to 8" apart
EB10	10W Emergency Battery Backup	Supplies battery backup to an individual fixture for up to 90 minutes. <u>Must be ordered with EBCM or EBAM indicator module.</u>
EBCM	Ceiling-mounted Indicator Module	In grid ceiling applications, this unit connects to the EB10 and is recess mounted in an adjacent panel where it displays the unit's current status of operation.
EBAM	Adhesive-mounted Indicator Module	In drywall/open ceiling applications, this unit connects to the EB10 and is mounted via adhesive, where it displays the unit's current status of operation.



Retrofit power (C) and dimming (D) connectors shown in operation



8" Retrofit power (B) and dimming (F) connectors shown in operation

* Linear ambient lumens

** Based on Photometric testing consistent with IES LM-79 testing; Lumens will vary based on diffuser and fixture.

SPECIFICATIONS

Average rated life: 100,000 hours @ L70

Warranty: 10 years

Operating temperature: -5°F to 95°F

Input voltage: 120-277V

Power factor: ≥ 0.9

CRI: 82

UL/cUL listed: Yes

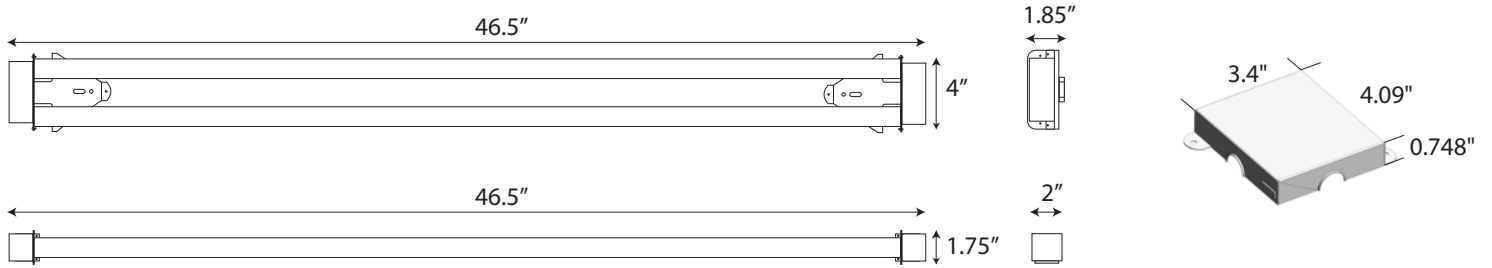
RoHS compliant: Yes

DLC rating: Premium (select models)

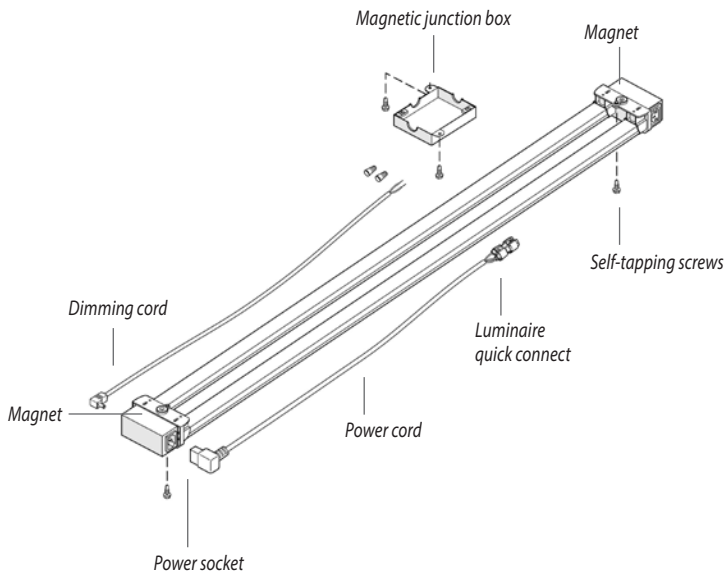
ACCESSORIES

- Power and dimming connectors for continuous row mounting
- Emergency Battery Backup

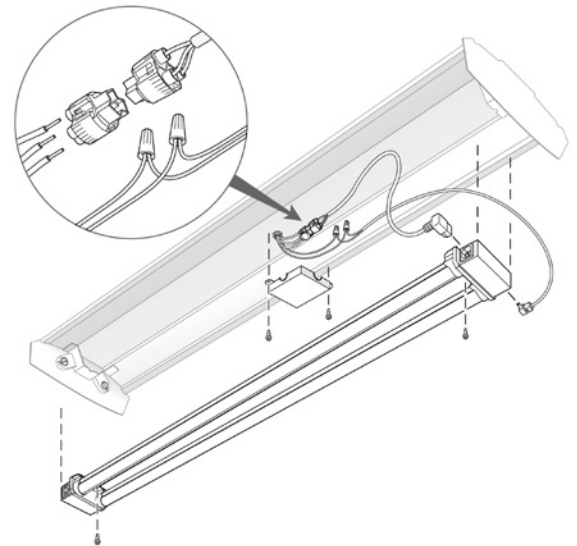
SIZING



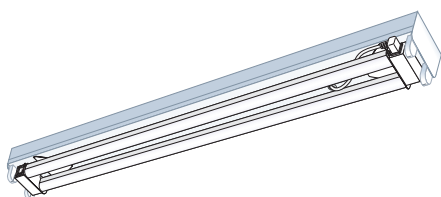
PRODUCT OVERVIEW



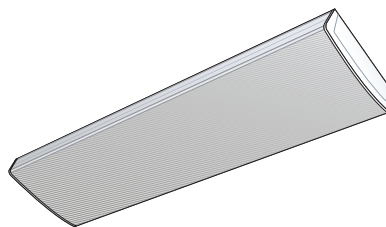
INSTALLATION PROCESS



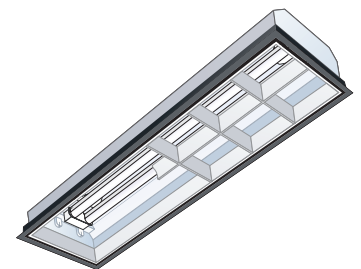
PRODUCT MOUNTING OPTIONS



4' or 8' Strip Fixture



Wrap Fixtures



Troffer Fixtures