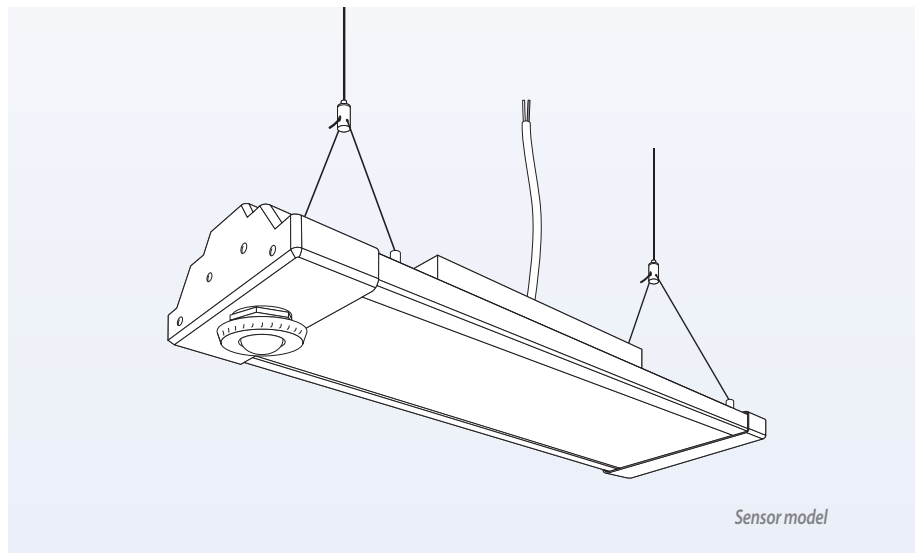


LITETRONICS®

LED Linear High Bay

Installation Instructions

Ordering Code: LHB & LLB Series



WHAT COMES IN THE BOX

LED Linear High Bay w/ 8' input wire
4' Suspension cables with 2 lock mounts
2 expansion hooks with washers (4) and nuts (2)
Installation instructions

TOOLS NEEDED

Wire Stripper
Wire Cutter
Phillips Screwdriver

SAFETY INSTRUCTIONS AND WARNINGS

WHEN USING ELECTRICAL EQUIPMENT, BASIC SAFETY PRECAUTIONS SHOULD ALWAYS BE OBSERVED

READ AND FOLLOW ALL SAFETY INSTRUCTIONS.

- Risk of fire or electric shock. Linear High Bay or Low Bay luminaire installation requires knowledge of luminaires electrical systems. If not qualified, do not attempt installation. Contact a qualified electrician.
- Be certain electrical power is OFF before and during installation and maintenance.
- Linear High Bay or Low Bay luminaire must be connected to a wiring system with an equipment – grounding conductor.
- Make sure the supply voltage is same as the rated luminaire voltage
- Only those open holes indicated in the photographs and/or drawings may be made or altered as a result of this fixture installation. Do not leave any other open holes in an enclosure of wiring or electrical components.
- To prevent wiring damage or abrasion, do not expose wiring to edges of sheet metal or sharp objects.
- No user serviceable parts inside of Linear High Bay or Low Bay Luminaire.

READ ALL INSTRUCTIONS BEFORE BEGINNING INSTALLATION

- Turn off power at circuit breaker.
- Suspending the fixture from a beam/rafter
 - Disengage the top portion of the cable from the lock mount. Swing the top portion around the ceiling beam and pass the open end through the loop.
 - Attach the lower portion of the cables to the fixture by screwing them in at all four corners.
 - Now reattach the top portion of the cable with the bottom portion and fixture by passing the top wire through the lock mount until the desired hanging height is achieved. Tug cable to test/ensure security. Do this for all wires. Compress lock mount end to release wires.
- Make wiring connections (see wiring diagram below).
 - For non-sensor model**, make connections between dimming wires (purple (+) and gray (-)) and dimmer. Then, depending on voltage, connect input wire to AC branch circuits as noted in figures 2-4. This should be in accordance with national and local codes.
 - For sensor model**, 0-10V dimming wires are included, but stored within the junction box. If you are using the built-in sensor for dimming, you can disregard the dimming wires. If you are using the dimming wires, remove them (purple (+) and gray (-)) from the junction box and connect to the dimmer. This model can also be controlled through a remote control (part # SCRO53). Depending on voltage, connect input wire to AC branch circuits as noted in figures 2-4. This should be in accordance with national and local codes.
 - If using the sensor model**, various settings can be customized using a remote control, part # SCRO53 (sold separately). Instructions for sensor settings are included with each remote control. Default settings are listed below in figure 1.
- Restore power at circuit breaker and subsequently switch on dimmer (if applicable).

SENSOR DEFAULT SETTINGS

SENSITIVITY	TIME	DAY LIGHT	STAND BY LEVEL	STAND BY TIME
100%	10 Seconds	30 lux	30%	∞

figure 1

120V & 277V

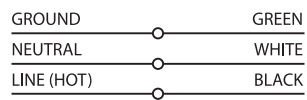


figure 2

*For 240V, follow 480V wiring instructions

480V

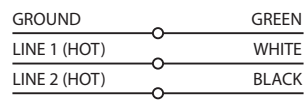
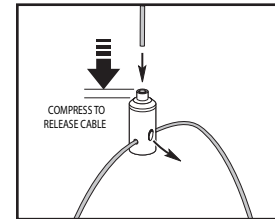
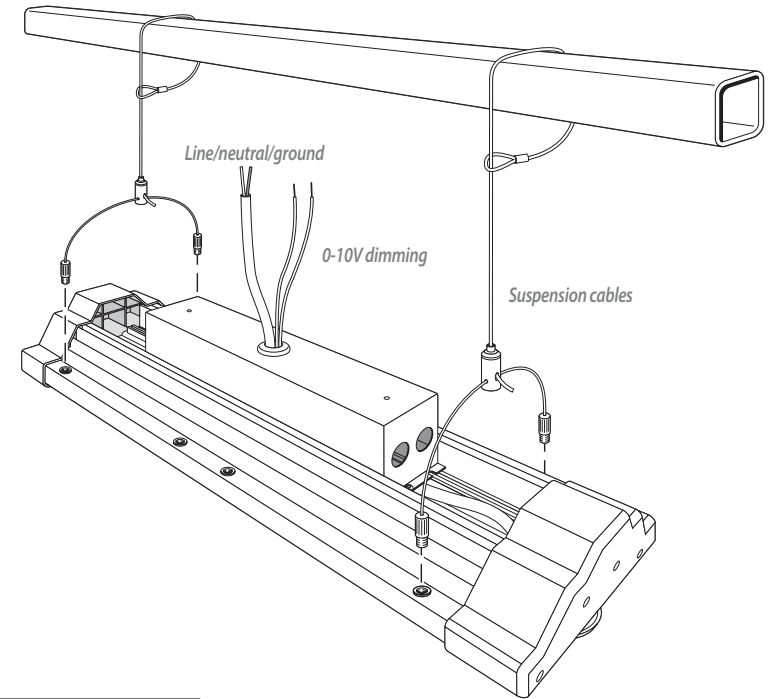


figure 3

*For 347V, follow 120-277V wiring instructions



SENSOR OR NON-SENSOR MODEL WIRING DIAGRAM

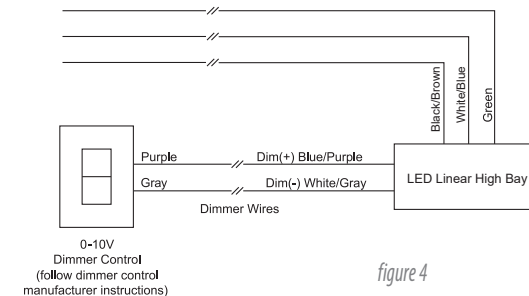
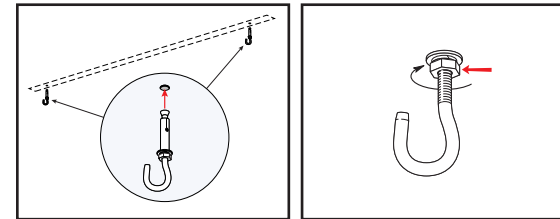
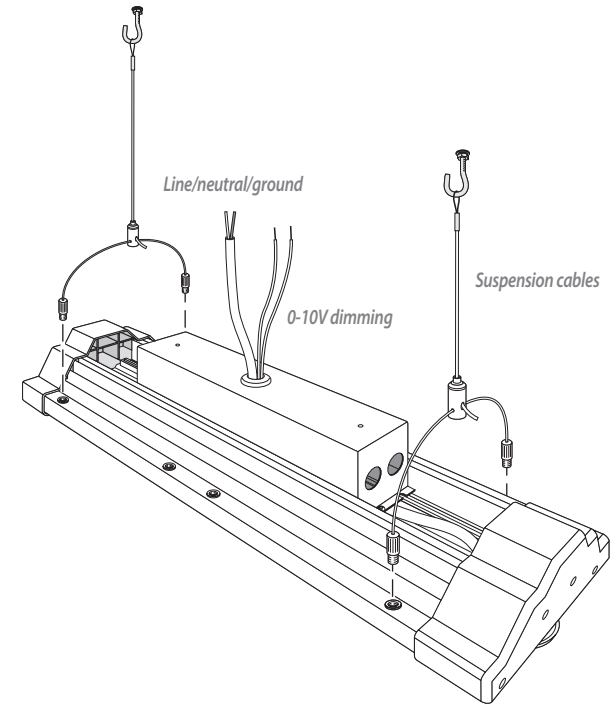


figure 4

READ ALL INSTRUCTIONS BEFORE BEGINNING INSTALLATION

1. Turn off power at circuit breaker.
2. Suspending the fixture from drywall with hooks
 - Determine the mounting position and mark placement for expansion hooks. Drill pilot holes for anchors.
 - Insert the expansion hooks into the surface by pressing firmly or gently hammering up to surface.
 - Tighten the hook nut to the surface. The expansion will tighten inside the drywall.
 - Now hang the fixture by securing the suspension cables onto the surface mounted hooks.
3. Make wiring connections (see wiring diagram below).
 - **For non-sensor model**, make connections between dimming wires (purple (+) and gray (-)) and dimmer. Then, depending on voltage, connect input wire to AC branch circuits as noted in figures 2-4. This should be in accordance with national and local codes.
 - **For sensor model**, 0-10V dimming wires are included, but stored within the junction box. If you are using the built-in sensor for dimming, you can disregard the dimming wires. If you are using the dimming wires, remove them (purple (+) and gray (-)) from the junction box and connect to the dimmer. This model can also be controlled through a remote control (part # SCR053). Depending on voltage, connect input wire to AC branch circuits as noted in figures 2-4. This should be in accordance with national and local codes.
 - **If using the sensor model**, various settings can be customized using a remote control, part # SCR053 (sold separately). Instructions for sensor settings are included with each remote control. Default settings are listed below in figure 1.
4. Restore power at circuit breaker and subsequently switch on dimmer (if applicable).



SENSOR DEFAULT SETTINGS

SENSITIVITY	TIME	DAY LIGHT	STAND BY LEVEL	STAND BY TIME
100%	10 Seconds	30 lux	30%	∞

figure 1

120V & 277V

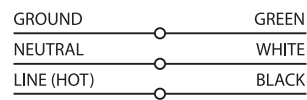


figure 2

*For 240V, follow 480V wiring instructions

480V

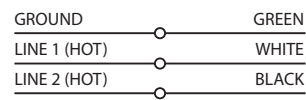


figure 3

*For 347V, follow 120-277V wiring instructions

SENSOR OR NON-SENSOR MODEL WIRING DIAGRAM

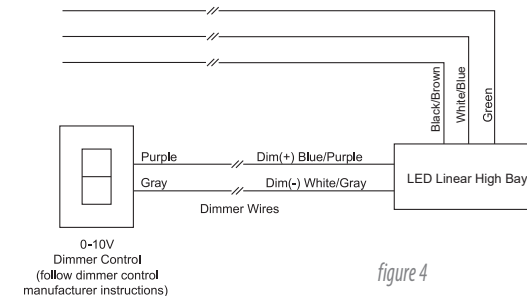


figure 4

Thank you for choosing

LITETRONICS®

6969 W. 73rd Street
Bedford Park, IL 60638

WWW.LITETRONICS.COM

CustomerService@Litetronics.com or 1-800-860-3392



The information and product specifications contained in these instructions are based upon data believed to be accurate at the time of printing. This information is subject to change without notice and without incurring liability. If you have questions regarding specific product details, please contact us at 800-860-3392 or via email at customerservice@litetronics.com.

To check for an updated version of these instructions, please visit www.litetronics.com.

v2 (4/11/19)