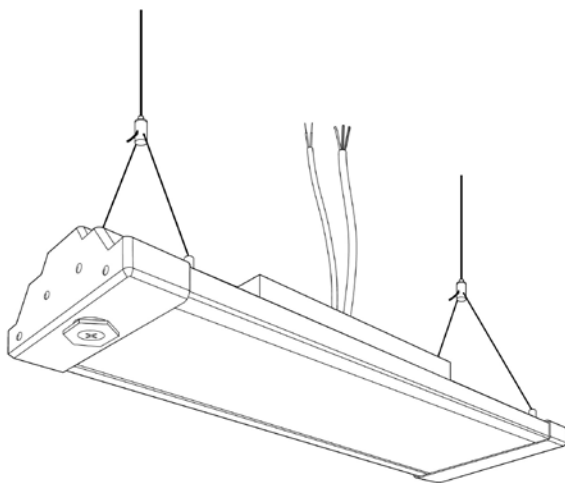


# LITETRONICS®

## LED Linear High Bay

### Installation Instructions

Ordering Code: LHB & LLB Series



#### WHAT COMES IN THE BOX

LED Linear High Bay with 10' input wire  
10' Suspension cables with 2 lock mounts  
2 expansion hooks with washers (4) and nuts (2)  
Installation instructions

#### TOOLS NEEDED

Wire Stripper  
Wire Cutter  
Phillips Screwdriver

---

## SAFETY INSTRUCTIONS AND WARNINGS

WHEN USING ELECTRICAL EQUIPMENT, BASIC SAFETY PRECAUTIONS SHOULD ALWAYS BE OBSERVED

READ AND FOLLOW ALL SAFETY INSTRUCTIONS.

- Risk of fire or electric shock. Linear High Bay or Low Bay luminaire installation requires knowledge of luminaires electrical systems. If not qualified, do not attempt installation. Contact a qualified electrician.
- Be certain electrical power is OFF before and during installation and maintenance.
- Linear High Bay or Low Bay luminaire must be connected to a wiring system with an equipment – grounding conductor.
- Make sure the supply voltage is same as the rated luminaire voltage
- Only those open holes indicated in the photographs and/or drawings may be made or altered as a result of this fixture installation. Do not leave any other open holes in an enclosure of wiring or electrical components.
- To prevent wiring damage or abrasion, do not expose wiring to edges of sheet metal or sharp objects.
- No user serviceable parts inside of Linear High Bay or Low Bay Luminaire.

# INSTALLATION INSTRUCTIONS

Before starting installation, turn off power at circuit breaker.

## SETTING THE COLOR TEMPERATURE (FIGURE A)

- Before installing the fixture, find the CCT dip switches and select the preferred color temperature.  
CCT settings: 5000K | 4000K

## SUSPENDING THE FIXTURE FROM A BEAM/RAFTER (FIGURE B)

- Disengage the top section of the cable from the lock mount. Then, swing it around the ceiling beam and pass the open end through the loop.
- Attach the lower section of the cables to the fixture by screwing them in at all four corners.
- Reattach the top section of the cable with the bottom by passing the top wire through the lock mount until the desired hanging height is achieved. Tug cable to test/ensure security. Do this for all wires. Compress lock mount end to release wires.

## SUSPENDING THE FIXTURE FROM DRYWALL WITH HOOKS (FIGURE C)

- Determine the mounting position and drill pilot holes for expansion hooks.
- Insert the expansion hooks into the surface by pressing firmly or gently hammering up to surface.
- Tighten the hook nut to the surface. The expansion will tighten inside the drywall.
- Now hang the fixture by securing the suspension cables onto the surface mounted hooks.

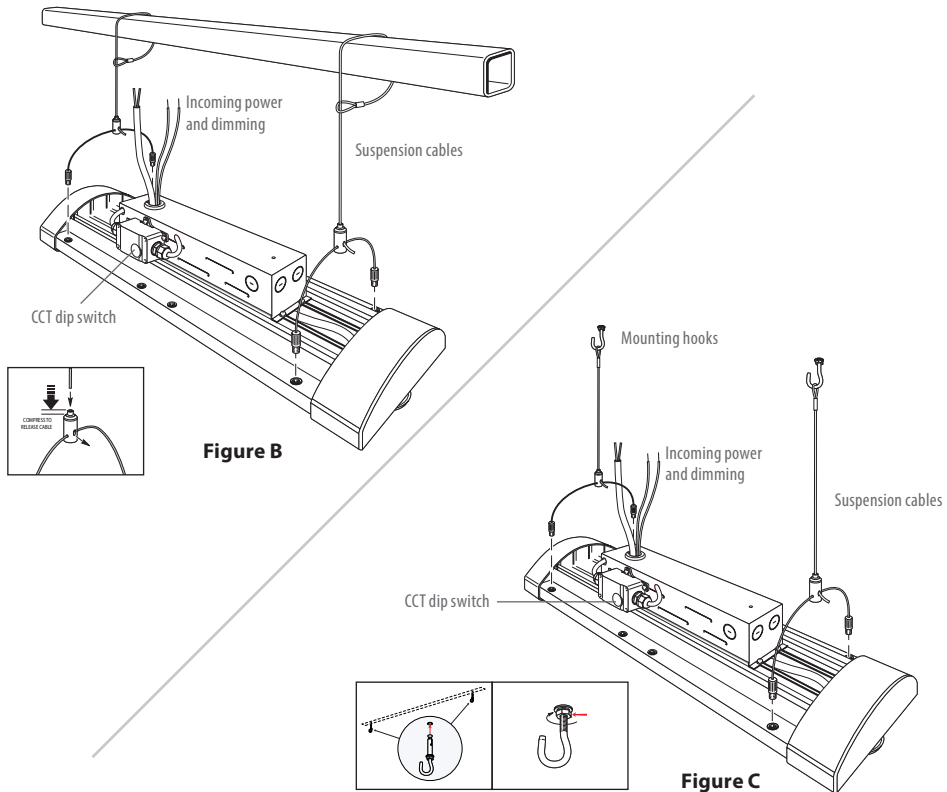


Figure B

Figure C

# INSTALLATION INSTRUCTIONS

## CCT DIP SWITCH SETTINGS

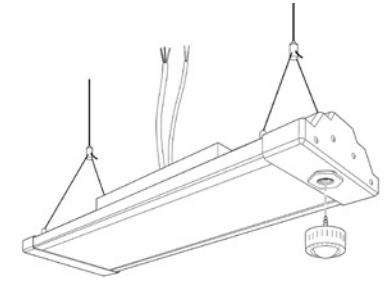
CCT	1	2
4000K	ON	OFF
5000K	OFF	ON

Default CCT setting is 5000K

Figure A

## ATTACHING THE SENSOR

- Unscrew and remove sensor port plug
- Plug sensor into port and screw to tighten (sensor sold separately)



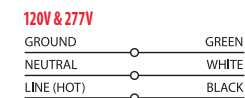
## WIRING WITHOUT SENSOR

- To enable dimming without a sensor, make connections between dimming wires (purple (+) and gray (-)) and dimmer.
- Then, depending on voltage, connect the input wire to AC branch circuits as noted in figures D-F. This should be in accordance with national and local codes. If 0-10V dimming is not needed, there is no need to connect the purple (+) and gray (-) wires. They can simply be capped off.
- When wiring is complete, restore power at circuit breaker and subsequently switch on dimmer (if applicable).

## WIRING WITH SENSOR

- When using the plug-in sensor (sold separately), any dimming is controlled through the sensor. Dimming wires do not need to be connected and can simply be capped off.
- Then, depending on voltage, connect the input wire to AC branch circuits as noted in figures D-F. This should be in accordance with national and local codes.
- When wiring is complete, restore power at circuit breaker.

If using the sensor model, various settings can be customized using a remote control, part # SCR053 (sold separately). Instructions for sensor settings are included with each remote control.



\*For 240V, follow 480V wiring instructions

Figure D



\*For 347V, follow 120-277V wiring instructions

Figure E

## WIRING DIAGRAM

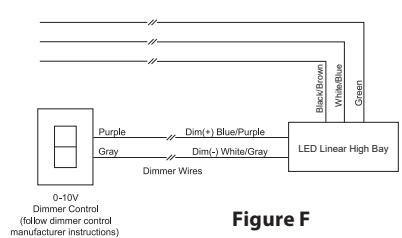


Figure F

Thank you for choosing

**LITETRONICS®**

6969 W. 73rd Street  
Bedford Park, IL 60638

WWW.LITETRONICS.COM

CustomerService@Litetronics.com or 1-800-860-3392



The information and product specifications contained in these instructions are based upon data believed to be accurate at the time of printing. This information is subject to change without notice and without incurring liability. If you have questions regarding specific product details, please contact us at 800-860-3392 or via email at [customerservice@litetronics.com](mailto:customerservice@litetronics.com).

To check for an updated version of these instructions, please visit [www.litetronics.com](http://www.litetronics.com).

5/19/21