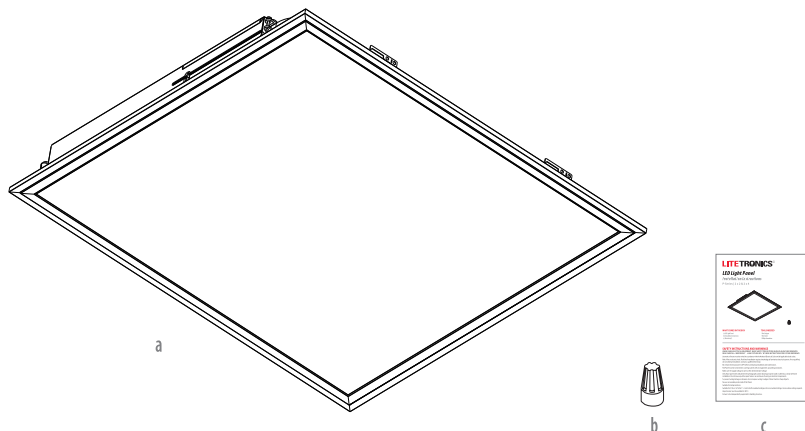


# LITETRONICS®

## LED Light Panel with EBB

### Installation Instructions

PTEB-Series | 2' x 2', 2' x 4'



#### WHAT COMES IN THE BOX

- (a) LED Light Panel
- (b) Wire Nut (x2)
- (c) Installation Instructions

#### TOOLS NEEDED

- Wire Stripper
- Wire Cutter
- Phillips Screwdriver

## SAFETY INSTRUCTIONS AND WARNINGS

WHEN USING ELECTRICAL EQUIPMENT, BASIC SAFETY PRECAUTIONS SHOULD ALWAYS BE OBSERVED. READ CAREFULLY BEFORE INSTALLING FIXTURE. RETAIN THESE INSTRUCTIONS FOR FUTURE REFERENCE.

Litetronics fixtures must be wired in accordance with the National Electrical Code and all applicable local codes.

Risk of fire or electric shock. Light Panel installation requires knowledge of luminaire electrical systems. If not qualified, do not attempt installation. Contact a qualified electrician.

Be certain electrical power is OFF before and during installation and maintenance.

Light Panel must be connected to a wiring system with an equipment grounding conductor.

Make sure the supply voltage is the same as the rated luminaire voltage.

Only the open holes indicated in the photographs and/or drawings may be made or altered as a result of this kit installation. Do not leave any other open holes in an enclosure of wiring or electrical components.

To prevent wiring damage or abrasion, do not expose wiring to edges of sheet metal or sharp objects.

No user serviceable parts inside of Light Panel.

Suitable for damp locations.

Suitable for 9/16" or 15/16" Flat Tee Grid in both insulated ceilings and non-insulated ceilings. Access above ceiling required.

Vapor barrier must be suitable for 90° C.

Fixture to be independently supported to building structure.

# INSTALLATION PROCEDURE

## READ ALL INSTRUCTIONS BEFORE BEGINNING INSTALLATION

1. Turn off power at the electrical panel.
2. Remove the ceiling tile or existing fixture from the grid ceiling space.
3. Before installing, locate the grid clips on your panel; bend them up and out so they can rest on top of the grid.
4. Unscrew and remove the driver cover to access the input ports, ground and dimming wires.
5. Locate the adjustable wattage slide switch on the side of the driver junction box and set to the desired wattage. See wattage/lumen output levels below for various models.
6. Locate the adjustable color temperature slide switch and select desired temperature by sliding the switch left/right.
7. Tilt and raise the panel up into the empty grid space, then lower until the grid clips catch on the tee-grid bar. Attach the panel to the building with support wires (not included) using the hole in the grid clip.
8. Remove one conduit knock-out from the driver, then run branch power wire from the conduit to the driver.
9. Insert incoming wires into spring-loaded Terminal Blocks. Note the markings on Printed Circuit Board.
  - a. Connect the live power (black) line to one of the two ports labeled AC-L. (Push down on spring lock to insert wire).
  - b. Connect the neutral (white) line to one of the two open ports labeled AC-N.
  - c. If 0-10V dimming is required, connect incoming dimming lines to the DIM+ (Purple) and DIM- (Pink/Gray) wires. Follow dimmer manufacturers instructions.
10. Connect L1 (red) wire to uninterrupted AC line.
11. Connect the green ground line through the conduit with help of the included wire nut.
12. Close the driver cover and secure it with the screw.
13. Replace the ceiling tiles, turn on the power and your installation is complete.

## EMERGENCY USAGE

Emergency battery backup units include a label marked EBB unit on its frame so units are easily identified.

When power outage occurs, emergency battery backup will last for 90 minutes. The red indicator light will appear and stay on until power is restored or the battery runs out. When in emergency mode with less than 30 minutes of battery time remaining, the indicator light will flash red to warn of low battery.

When power is restored, the emergency battery will begin to recharge. Recharge time is 24 hours.

When the indicator light is off, the battery is charging. If the indicator light is on during normal operation, or is flashing, there could be a problem with the battery or charging circuit.

## TESTING EMERGENCY FUNCTIONALITY

To test the functionality of the emergency battery backup, a test remote (part # TR01) is needed. Refer to TR01 instructions for specific operations.

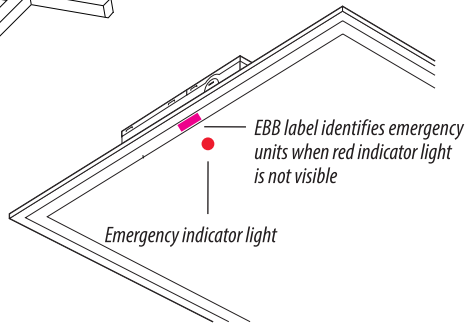
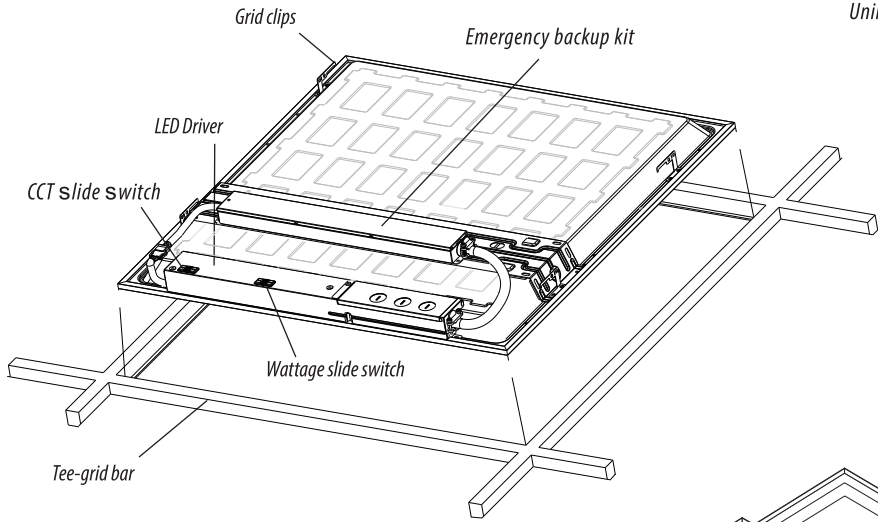
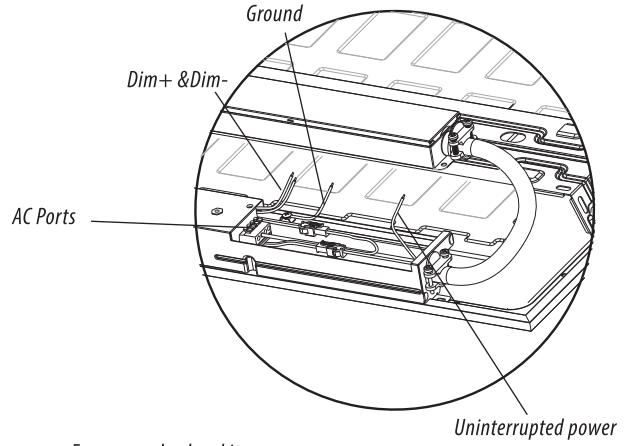
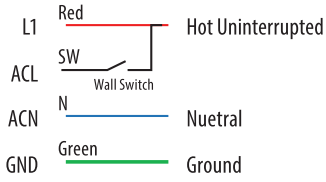
## MAINTENANCE

Although no routine maintenance is required to keep the emergency battery backup functional, it should be checked periodically to ensure that it is working. The following schedule is recommended:

- Test the emergency operation of the fixture at 30-day intervals for a minimum of 30 seconds.
- Conduct a 90-minute discharge test once a year. LED tubes should operate at up to 10W for at least 90 minutes.

# INSTALLATION PROCEDURE

## WIRING DIAGRAM



## WATTAGE SETTINGS

2 X 2

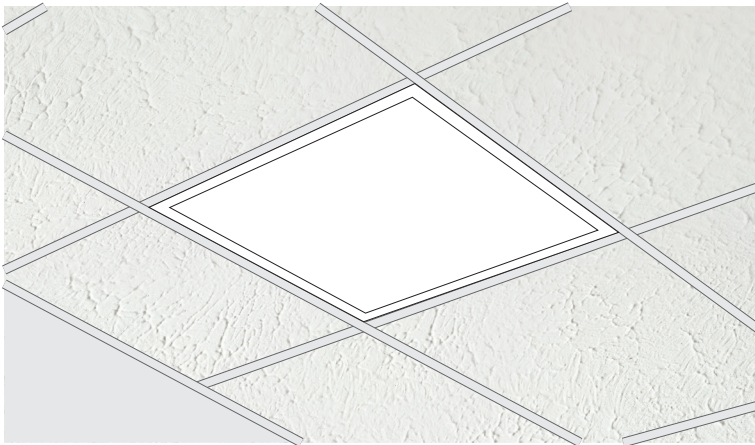
WATTAGE	LUMENS
18	2,250
20	2,500
25	3,125
30	3,750
36	4,500

2 X 4

WATTAGE	LUMENS
25	3,125
30	3,750
40	5,000
45	5,625
50	6,250

## COLOR TEMPERATURE SETTINGS

3500K | 4000K | 5000K



Thank you for choosing

**LITETRONICS®**

6969 W. 73rd Street  
Bedford Park, IL 60638

[WWW.LITETRONICS.COM](http://WWW.LITETRONICS.COM)

[CustomerService@Litetronics.com](mailto:CustomerService@Litetronics.com) or 1-800-860-3392



**RoHS  
Compliant**

The information and product specifications contained in these instructions are based upon data believed to be accurate at the time of printing. This information is subject to change without notice and without incurring liability. If you have questions regarding specific product details, please contact us at 800-860-3392 or via email at [customerservice@litetronics.com](mailto:customerservice@litetronics.com).

To check for an updated version of these instructions, please visit [www.litetronics.com](http://www.litetronics.com).

5/2/23-V1