

LED LIGHT PANEL RETROFIT

with Field-adjustable Light Output



Combining top-of-the-line efficiency with a stylish, modern design, the LED Light Panel Retrofit is an ideal solution for updating interior grid ceiling applications. It can accommodate all standard sizes of fluorescent troffers, including 2' x 4', 2' x 2' or 1' x 4', and it's patented design makes installation simple and quick. The kit can be installed by one person in less than two minutes, without breaking into the ceiling plenum.

Our standard model is equipped with field-adjustable light output, enabling the lumen output and wattage to be set to one of five specific levels based on the needs of the user. This feature enables not only the customization of light output, but also puts a cap on the amount of energy being used.

The LED Light Panel Retrofit is listed as a DLC Premium product and delivers up to 125 lumens per watt (LPW) over the course of its 100,000-hour rated life. It ensures long-term energy savings over traditional fluorescent bulbs and ballasts, as well as eliminates routine maintenance, making it perfect for updating existing troffers. Furthermore, it's backed by an industry-leading 10-year warranty, guaranteeing peace of mind for the life of your fixture.

KEY FEATURES

- Field-adjustable light output
- 100,000-hour rated life
- 10-year warranty
- DLC Premium (125 LPW)
- Sealed enclosure (Bug/dust free)
- Anti-yellowing frosted diffuser
- Suitable for damp locations
- 0-10V Dimming
- Compatible with Emergency Battery Backup

MARKETS

- Schools and universities
- Offices and municipal buildings
- Healthcare facilities and hospitals

APPLICATIONS

- Drop/grid ceilings
- Fluorescent troffers



SPECIFICATIONS

Average rated life: 100,000 hours (@L70)
Warranty: 10 years
Operating temp: -4°F to 113°F (-20°C to 45°C)
Surge protection: ANSI C82.77 compliant
Input voltage: 120-277V
Input frequency: 50/60Hz
Power factor: ≥0.95
CRI: 80
Lens type: Polycarbonate frosted

Dimming: 0-10VDC ANSI C137.x compliant
 LED drive current
Location rating: Damp
ETL listed: Yes
RoHS compliant: Yes
DLC rating: Premium

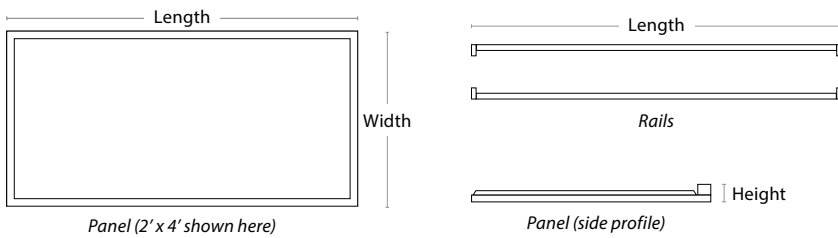
MOUNTING

Standard: T-bar grid (drop ceilings) mounted fluorescent troffers
Wiring access: 1/2" trade size knockouts

ACCESSORIES

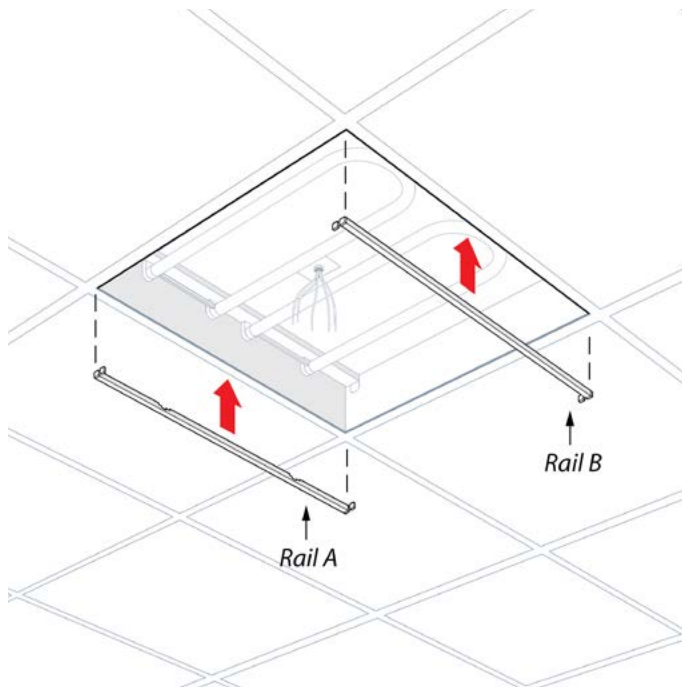
Emergency Battery Backup

DIMENSIONS

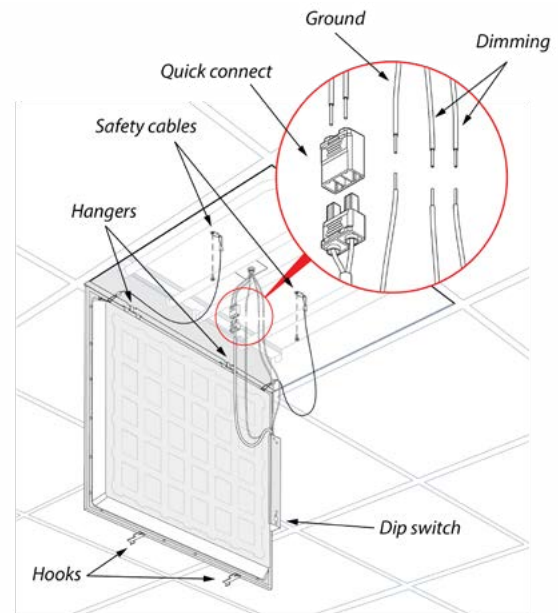


SIZE	LENGTH	WIDTH	HEIGHT	RAIL LENGTH	WEIGHT
2' x 4'	45"	21"	1.625"	47"	9.5 lbs
2' x 2'	21"	21"	1.625"	23"	6.06 lbs
1' x 4'	45"	10.5"	1.625"	47"	6.68 lbs

PRODUCT OVERVIEW AND INSTALLATION



The mounting rails are inserted between the troffer and grid rail on opposite sides with the anti-rotational tabs pointed inward and notches facing up.



The panel hangers are inserted into the notches on the mounting rail, enabling the panel to hang freely while electrical connections are completed.

ORDERING INFORMATION

Listed below are the included wattage settings and lumens for each model number.

2' X 2'

ROOT MODEL #	DESCRIPTION		
PRT235	2X2 LED Light Panel Retrofit		
EXT. MODEL #	WATTAGE	CCT	LUMENS
PRT23518	18	3500	2,250
PRT23520	20	3500	2,500
PRT23525	25	3500	3,125
PRT23530	30	3500	3,750
PRT235	36	3500	4,500

ROOT MODEL #	DESCRIPTION		
PRT240	2X2 LED Light Panel Retrofit		
EXT. MODEL #	WATTAGE	CCT	LUMENS
PRT24018	18	4000	2,250
PRT24020	20	4000	2,500
PRT24025	25	4000	3,125
PRT24030	30	4000	3,750
PRT240	36	4000	4,500

ROOT MODEL #	DESCRIPTION		
PRT250	2X2 LED Light Panel Retrofit		
EXT. MODEL #	WATTAGE	CCT	LUMENS
PRT25018	18	5000	2,250
PRT25020	20	5000	2,500
PRT25025	25	5000	3,125
PRT25030	30	5000	3,750
PRT250	36	5000	4,500

2' X 4'

ROOT MODEL #	DESCRIPTION		
PRT435	2X4 LED Light Panel Retrofit		
EXT. MODEL #	WATTAGE	CCT	LUMENS
PRT43525	25	3500	3,125
PRT43530	30	3500	3,750
PRT43540	40	3500	5,000
PRT43545	45	3500	5,625
PRT435	50	3500	6,250

ROOT MODEL #	DESCRIPTION		
PRT440	2X4 LED Light Panel Retrofit		
EXT. MODEL #	WATTAGE	CCT	LUMENS
PRT44025	25	4000	3,125
PRT44030	30	4000	3,750
PRT44040	40	4000	5,000
PRT44045	45	4000	5,625
PRT440	50	4000	6,250

ROOT MODEL #	DESCRIPTION		
PRT450	2X4 LED Light Panel Retrofit		
EXT. MODEL #	WATTAGE	CCT	LUMENS
PRT45025	25	5000	3,125
PRT45030	30	5000	3,750
PRT45040	40	5000	5,000
PRT45045	45	5000	5,625
PRT450	50	5000	6,250

1' X 4'

ROOT MODEL #	DESCRIPTION		
PRT135	1X4 LED Light Panel Retrofit		
EXT. MODEL #	WATTAGE	CCT	LUMENS
PRT13518	18	3500	2,250
PRT13520	20	3500	2,500
PRT13525	25	3500	3,125
PRT13530	30	3500	3,750
PRT135	36	3500	4,500

ROOT MODEL #	DESCRIPTION		
PRT140	1X4 LED Light Panel Retrofit		
EXT. MODEL #	WATTAGE	CCT	LUMENS
PRT14018	18	4000	2,250
PRT14020	20	4000	2,500
PRT14025	25	4000	3,125
PRT14030	30	4000	3,750
PRT140	36	4000	4,500

ROOT MODEL #	DESCRIPTION		
PRT150	1X4 LED Light Panel Retrofit		
EXT. MODEL #	WATTAGE	CCT	LUMENS
PRT15018	18	5000	2,250
PRT15020	20	5000	2,500
PRT15025	25	5000	3,125
PRT15030	30	5000	3,750
PRT150	36	5000	4,500

Each extended model # is individually listed with DLC. The highest wattage is listed under the root model #.

ACCESSORIES

MODEL #	DESCRIPTION	USAGE
EB10	10W Emergency Battery Backup	Supplies battery backup to an individual fixture for up to 90 minutes. <u>Must be ordered with EBCM or EBAM indicator module.</u>
EBCM	Ceiling-mounted Indicator Module	In grid ceiling applications, this unit connects to the EB10 and is recess mounted in an adjacent panel where it displays the unit's current status of operation.
EBAM	Adhesive-mounted Indicator Module	In drywall/open ceiling applications, this unit connects to the EB10 and is mounted via adhesive, where it displays the unit's current status of operation.

