

PROJECT:	
CATALOG #	
TYPE:	DATE:

LED LIGHT PANEL RETROFIT (C-SERIES)

with Selectable Wattage and CCT

DESCRIPTION

Contractor-Series Value product combining top-of-the-line efficiency with a stylish, modern design, the LED Light Panel Retrofit is an ideal solution for updating interior grid ceiling applications. It can accommodate all standard sizes of fluorescent troffers, including 2' x 4', 2' x 2' or 1' x 4', and it's patented design makes installation simple and quick. The kit can be installed by one person in less than two minutes, without breaking into the ceiling plenum.

Our standard model is equipped with field-adjustable light output, enabling the lumen output and wattage to be set to specific levels based on the needs of the user. This feature enables not only the customization of light output, but also energy used.

The LED Light Panel Retrofit is listed as a DLC Premium product and delivers up to 125 lumens per watt (LPW) over the course of its 50,000-hour rated life. It ensures long-term energy savings over traditional fluorescent bulbs and ballasts, as well as eliminates routine maintenance, making it perfect for updating existing troffers. Furthermore, it's backed by an industry-leading 5-year warranty, guaranteeing peace of mind for the life of your fixture.

FEATURES

- Selectable Wattage
- Selectable CCT (Kelvin)
- Watt-adjustable light output
- 50,000-hour rated life
- 5-year warranty
- DLC 5.1 Premium (125 LPW)
- Sealed enclosure (Bug/dust free)
- Anti-yellowing frosted diffuser
- Suitable for damp locations
- 120-127V
- 0-10V Dimming
- Compatible with Emergency Battery Backup

APPLICATIONS

- Drop/grid ceilings
- Fluorescent troffers



MARKETS

- Schools and universities
- Offices and municipal buildings
- Healthcare facilities and hospitals

LITETRONICS DIFFERENCE

- Contractor Value Pricing
- Quick Connect
- One Person Installation
- DLC 5.1 Premium

CERTIFICATIONS



SPECIFICATIONS

Life (@L70): 50,000 hours

Warranty: 5 years

PERFORMANCE

Operating temp: -4°F to 122°F (-20°C to 50°C)

Efficacy (LPW): 125 LPW

CRI: 80

ELECTRICAL

Input voltage: 120-277V

Input frequency: 50/60Hz

PF: ≥0.95

THD: N/A

Surge protection: N/A

Dimming: 0-10VDC ANSI C137.x compliant

Minimum dimming: 0% of rated lumen LED drive current

Aux. Voltage: No

Driver CL: N/A

Whip/Cord: No

Sensor: No

OPTICAL

Beam: 110°

Lens: Polycarbonate Frosted

UGR: <22

PHYSICAL

Finish: Powder Coat

Color: White

Housing: Painted Steel

INDUSTRY STANDARDS/RATINGS

IP: 20

IK: No

Location: Damp

IC: Yes

UL/ETL: ETL

FCC: Yes

RoHS: Yes

DLC: 5.1 Premium

MOUNTING

Standard: T-bar grid (drop ceilings) mounted fluorescent troffers.

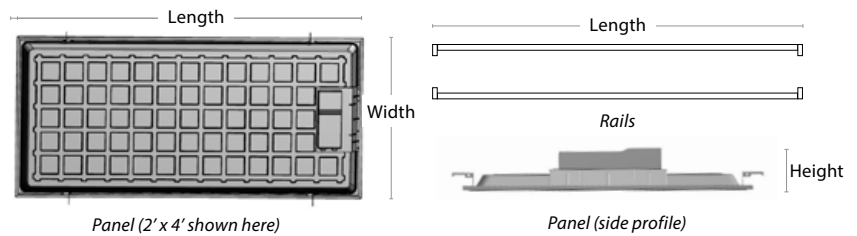
Wiring access: 1/2" trade size knockouts.

ACCESSORIES

Emergency Battery Backup

DIMENSIONS / WEIGHT

ORDER#	SIZE	LENGTH	WIDTH	HEIGHT	RAIL LENGTH	WEIGHT
PRCT2	2' x 2'	23.82"	23.86"	1.625"	23"	8.23 lbs
PRCT4	2' x 4'	47.83"	23.86"	1.625"	47"	13.58 lbs
PRCT1	1' x 4'	47.83"	11.89"	1.625"	47"	8.71 lbs



PRODUCT OVERVIEW AND INSTALLATION

FIGURE 1

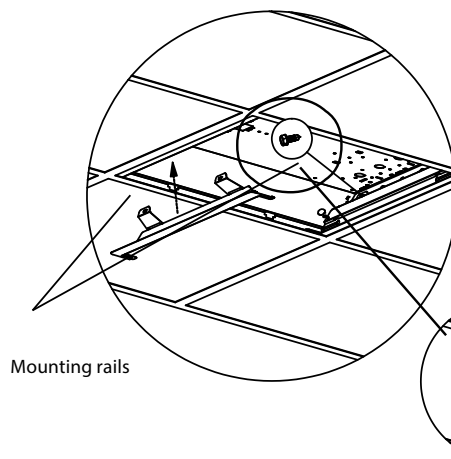
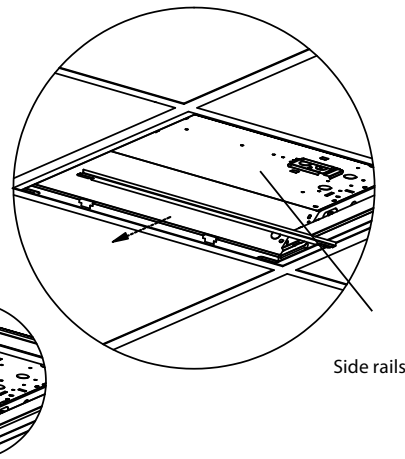


FIGURE 2



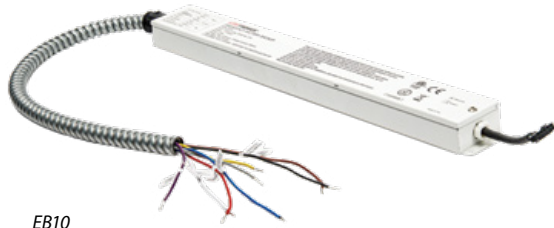
The mounting rails are inserted between the troffer and grid rail on opposite sides with the anti-rotational tabs pointed inward and notches facing up.

The panel hangers are inserted into the notches on the mounting rail, enabling the panel to hang freely while electrical connections are completed.

ORDERING INFORMATION

Listed below are the max wattage settings and lumens for each model number.

ORDERING CODE	DESCRIPTION	SIZE	WATTS	VOLTS	CCT (K)	LUMENS
PRCT2	LED Light Panel Retrofit	2' x 2'	18 22 25	120-277	3500 4000 5000	2250 2750 3125
PRCT4	LED Light Panel Retrofit	2' x 4'	23 30 36	120-277	3500 4000 5000	2875 3750 4500
PRCT1	LED Light Panel Retrofit	1' x 4'	18 22 25	120-277	3500 4000 5000	2250 2750 3125



EB10



EBCM



EBAM



TR01

ACCESSORIES

MODEL #	DESCRIPTION	USAGE
EB10	10W Emergency Battery Backup	Supplies battery backup to an individual fixture for up to 90 minutes. <u>Must be ordered with EBCM or EBAM indicator module.</u>
EBCM	Ceiling-Mounted Indicator Module	This Ceiling-Mounted Indicator Module (EBCM) can be used with one of Litetronics' emergency battery backup products (EB10, EB10N or EB20) to provide a visual confirmation of the operational status of the EBB unit. This module is typically used in grid ceiling applications where it is recess mounted in a panel adjacent to the fixture.
EBAM	Adhesive-Mounted Indicator Module	This Adhesive-Mounted Indicator Module (EBAM) must be used with one of Litetronics' emergency battery backup products (EB10, EB10N or EB20) to provide a visual confirmation of the operational status of the EBB unit. This module is typically used in open ceiling or drywall ceiling applications where the module is applied to the side of the fixture, mounting kit, or a nearby structural element.
TR01	LED Emergency Light Test Remote	This accessory is required to operate and test the EMBB. Only one remote required per area, building or site as necessary.