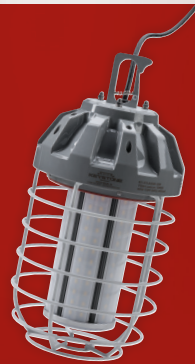




SINCE 1945  
**KEYSTONE**

**Light Weight. Heavy Duty.**



**LED Temporary  
High Bay Fixture**

**75% More Energy Efficient  
than Metal Halide**

**ARMOR LIGHT**



# ARMOR LIGHT

TEMPORARY LED HIGH BAY FIXTURE



Easy-to-install, portable, flexible, lightweight temporary lighting; 3-prong USA plug

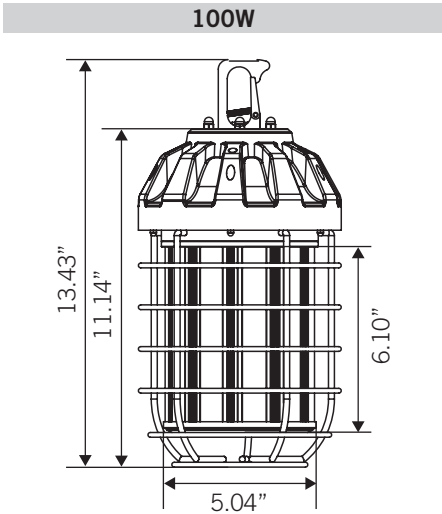
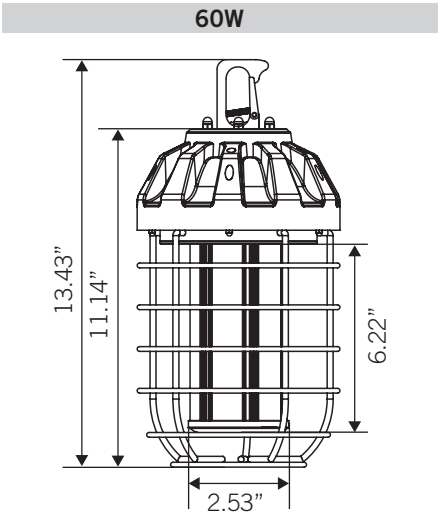
### PRODUCT FEATURES

- Omni-Directional Light Distribution
- SmartCool Technology: No Internal Fan for Cooling
- Efficacy: 115 lm/W
- 6KV Surge Protection
- Strong, Durable Construction
- Suitable for Construction Areas, Outdoor Activity Lighting
- IP64 Rated
- Lightweight
- Isolated Driver for Better Heat Dissipation
- Driver with Heat Sink Silicone is Waterproof, Dust-Proof, and Anti-Mosquito
- Operating Temperature: -40°C/-40°F-60°C/140°F

### PERFORMANCE SPECIFICATIONS

Catalog Number	Power Consumption	LED Quantity	Power Factor	CRI	Input Voltage	Frequency	Color Temp.	Total Lumens	Fluorescent Equivalent
KT-TFLED60-850	60W	96	≥0.90	≥80	120V	50~60Hz	5000K	7,000	175W
KT-TFLED100-850	100W	168	≥0.90	≥80	120V	50~60Hz	5000K	11,500	400W

### DIMENSIONS



Keystone Technologies  
North Wales, PA  
800-464-2680  
KeystoneTech.com

