

# LITETRONICS®

## *High Bay Luminaire*

### *Installation Instructions*

Base Product & Accessories for: HB125, 185 and 220 series

Base Product & Accessories for: HB150 and 200 Premium series  
luminaires with and without dimming.



# INSTALLATION AND ASSEMBLY INSTRUCTIONS

## PLEASE READ ENTIRE DOCUMENT BEFORE INSTALLATION

HB125, 150, 185, 200 and 220 series luminaires with and without dimming.

Standard: Glass lens (frosted and clear) suitable for wet locations (IP66 rated).

Optional: Shatterproof polycarbonate lens (frosted and clear) suitable for wet locations (IP66 rated).

**Note: Save these instructions for future reference.**

---

## INTRODUCTION & TABLE OF CONTENTS

Congratulations on the purchase of your LED High Bay. It is usable alone or with a range of accessories. Instructions for some of the most popular of these are included here.

Section 1- INSTALLATION PROCEDURE-BASE PRODUCT	5
Section 2- YOKE MOUNTING (ACCESSORY)	7

---

## SAFETY INSTRUCTIONS AND WARNINGS

### **WARNING:**

Risk of fire or electric shock. High Bay luminaire installation requires knowledge of luminaires electrical systems. If not qualified, do not attempt installation. Contact a qualified electrician.

Be certain electrical power is OFF before and during installation and maintenance.

High Bay luminaire must be connected to a wiring system with an equipment – grounding conductor.

Make sure the supply voltage is same as the rated luminaire voltage

Only those open holes indicated in the photographs and/or drawings may be made or altered as a result of this kit installation. Do not leave any other open holes in an enclosure of wiring or electrical components.

To prevent wiring damage or abrasion, do not expose wiring to edges of sheet metal or sharp objects.

No user serviceable parts inside of High Bay Luminaire.

Secure heat sink with safety cable.

---

### **Tools typically used for base product installation:**

Wire Stripper (*optional*)

Wire Cutter (*optional*)

## WHAT COMES IN THE BOX:



**1.** Built in 0-10V DIM wires  
to connect to dimming controls



**2.** Built in Snap-  
Lock Hook

**3.** Built in longer input wire with connector  
One end with 3 stripped wires and other connected to  
waterproof twist female connector on cable jumper fitted  
to waterproof cord grip .

**4.** LED High Bay

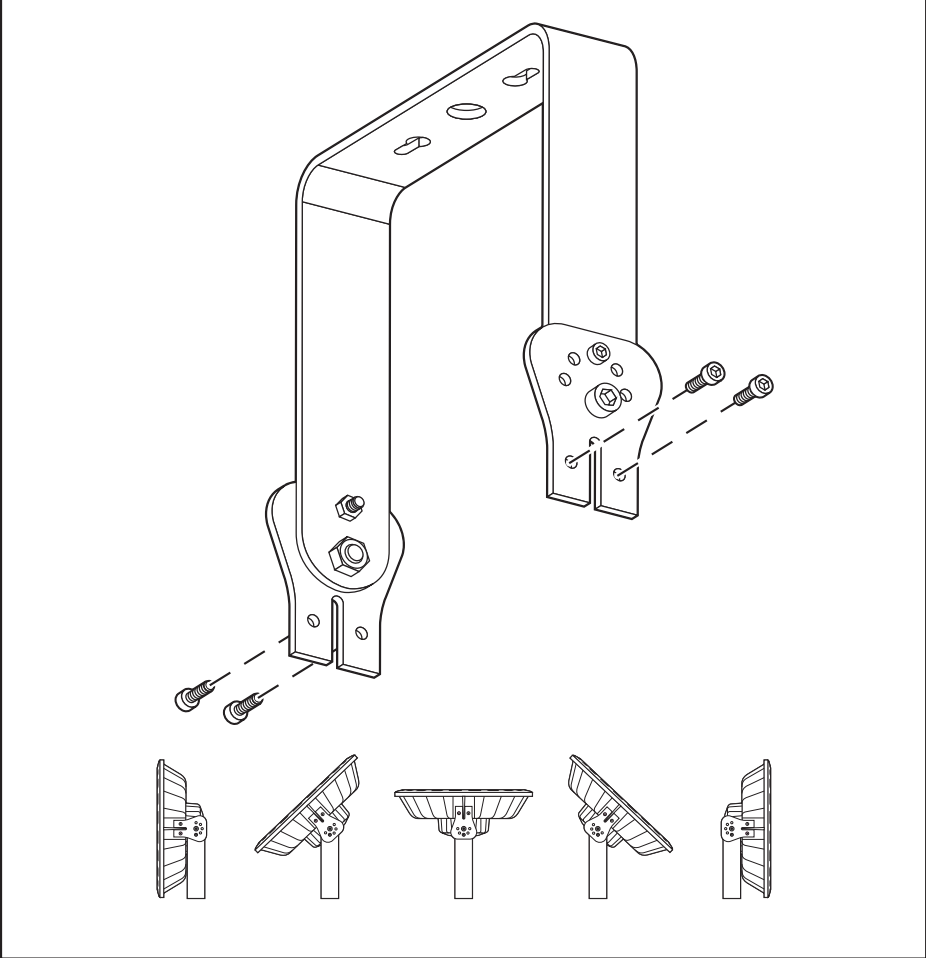


**5.** Two waterproof wire nuts  
included for wet or dry location use

# LED HIGH BAY ACCESSORIES

The following accessories for the LED High Bay luminaire are addressed in these instructions

## Section 2 - Yoke Mounting



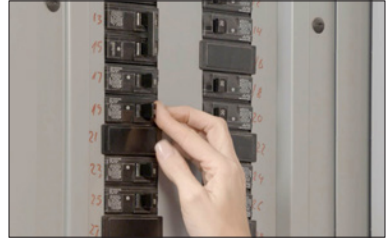
Aluminum Swivel Yoke Bracket

## Section 1

### INSTALLATION PROCEDURE- BASE PRODUCT

Input 120V or 277V using 3 strip wires with or without 0-10V dimmer

**1.** Turn off power at the circuit breaker and ensure that the power is off before wiring.

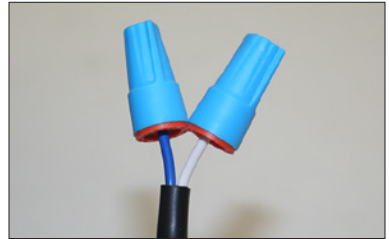


**2.** High Bay Luminaire should be mechanically supported by chain or cable by securing to snap-lock hook or optional round hook Litetronics part # HBAM20 or HBAM21 on top of fixture.



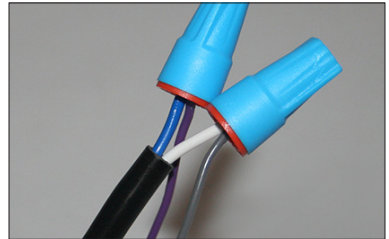
**3. When installing without dimmer (0-10V) in wet locations:** Ensure that white/gray and blue/purple wires are each covered with a waterproof nut (supplied). When installing in dry locations, ensure white/gray and blue/purple wires are not crossed.

- a. Connect Blue (+)/Purple
- b. Connect White (-)/Gray



**4. When installing dimmer (0-10V):** Connect 0-10V dimmer wires to dimmer control with dim (+) blue/purple and dim (-) white/gray from High Bay luminaire with waterproof nuts (supplied). Follow fig. 1 on next page to connect 0-10V dimmer and 120-277V power. Follow dimmer control manufacturer instructions for more details.

- a. Connect Blue (+)/Purple
- b. Connect White (-)/Gray



# Section 1

## INSTALLATION PROCEDURE- BASE PRODUCT

Input 120V or 277V using 3 strip wires with or without 0-10V dimmer

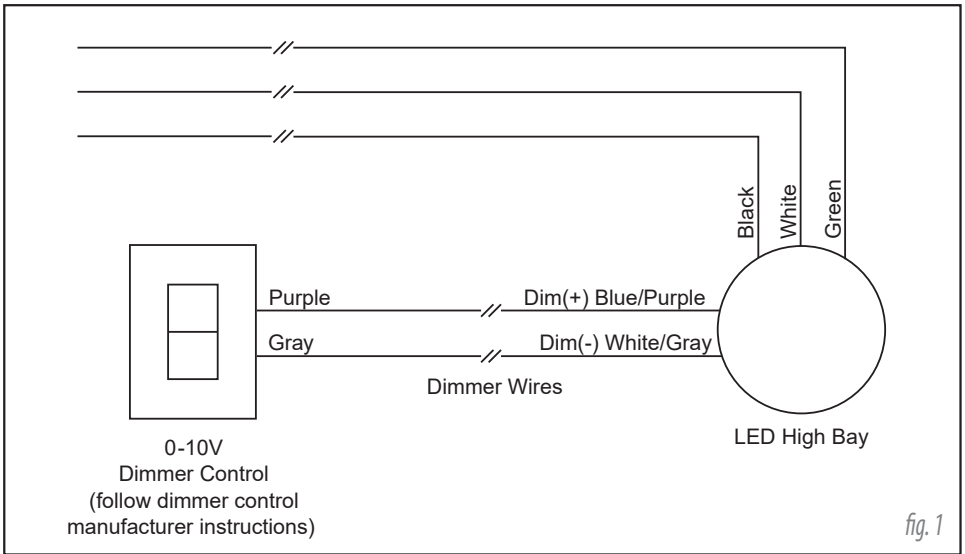
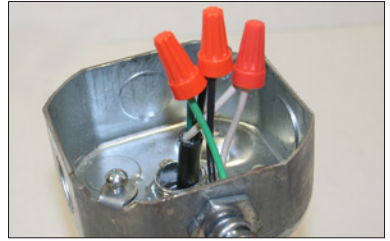
5. Connect wire cord to AC branch circuit as per following. It should be in accordance with national and local codes.

### 120V & 277V

GROUND	○	GREEN
NEUTRAL	○	WHITE
LINE (HOT)	○	BLACK

### 240V

GROUND	○	GREEN
LINE 1 (HOT)	○	WHITE
LINE 2 (HOT)	○	BLACK



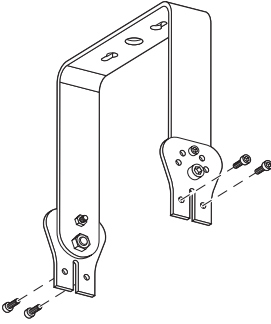
6. Restore power at circuit breaker and subsequently switch on dimmer (if applicable) and enjoy High Bay luminaire.



## Section 2

# INSTALLATION PROCEDURE

## OPTIONAL ACCESSORY - Yoke Mount: HBAM22 and HBAM23



### HBAM22

9" X 9" Aluminum Swivel  
Yoke Bracket Black

### HBAM23

9" X 9" Aluminum Swivel  
Yoke Bracket White

### HBAM24

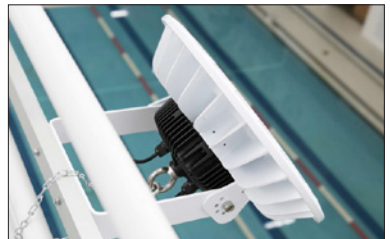
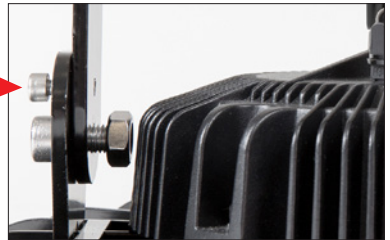
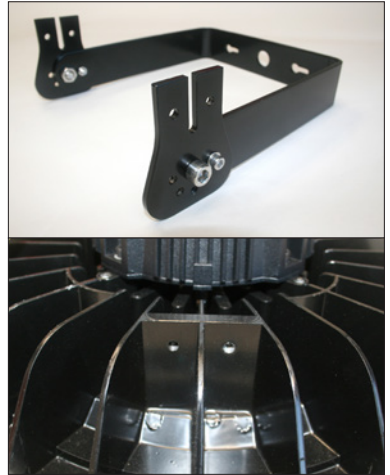
? X ? Aluminum Swivel  
Yoke Bracket White  
(for HB150 Premium Series Only)



**1.** For mounting High Bay to use with multiple angles, attach pre assembled yoke bracket (part HBAM22, HBAM23 or HBAM24) to High Bay luminaire with (4) M6x15 socket head type screws. Tip: Look for the flat surface with pre-drilled holes to attach yoke bracket. Do not use curved surface with holes.

**2.** Once yoke bracket is connected to High Bay, use (2) M6x15 socket head type screws with hex nut to set bracket angle, and then tightly fix all screws.

**3.** Properly assembled yoke bracket can be mounted with bolts, anchors or screws depending using holes on yoke bracket.



Thank you for choosing

**LITETRONICS®**

6969 W. 73rd Street  
Bedford Park, IL 60638

[WWW.LITETRONICS.COM](http://WWW.LITETRONICS.COM)

[CustomerService@Litetronics.com](mailto:CustomerService@Litetronics.com) or 1-800-860-3392

