

# LITETRONICS®

## LED High Bay PL Installation Instructions

Ordering Code: HBC Series

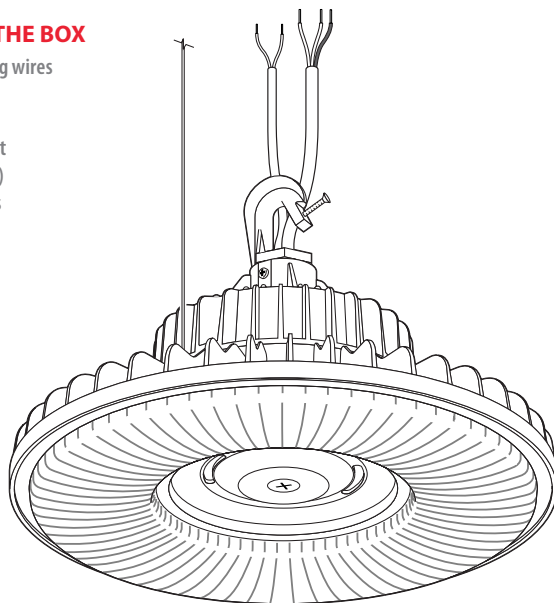
---

### WHAT COMES IN THE BOX

Built in 3' 0-10V dimming wires  
Snap hook  
Input wire (10')  
Safety cable (5') and bolt  
Waterproof wire nuts (2)  
Installation instructions

### TOOLS NEEDED

Wire Stripper  
Wire Cutter



---

## SAFETY INSTRUCTIONS AND WARNINGS

When using electrical equipment, basic safety precautions should always be observed. Read and follow all safety instructions.

- Consult a qualified electrician to ensure correct branch circuit conductor.
- This product must be installed in accordance with the applicable installation code by a person familiar with the construction and operation of the product and the hazards involved.
- Installation should only be conducted by a qualified electrician in accordance with NEC and any relevant local building codes.
- Risk of fire or electric shock. High Bay installation requires knowledge of luminaires electrical systems. If not qualified, do not attempt installation. Contact a qualified electrician.
- Be certain electrical power is OFF before and during installation and maintenance.
- High Bay must be connected to a wiring system with an equipment-grounding conductor.
- Make sure the supply voltage is the same as the rated High Bay voltage.
- To prevent wiring damage or abrasion, do not expose wiring to edges of sheet metal or sharp objects.
- No user serviceable parts inside of High Bay luminaires.
- Secure heat sink with safety cable.

# INSTALLATION

## INSTALLING THE FIXTURE

1. Turn off power at the circuit breaker.
2. High Bay Luminaire can be mechanically supported to hook, chain or cable (not included) by securing to snap hook (included) on top of fixture. For pendant mounting, leave snap hook off and screw conduit directly into the fixture (see fig 6).
3. Once fixture is supported, attach the included safety cable to a beam or structural support.

## WIRING WITHOUT SENSOR

1. To enable dimming without a sensor, make connections between dimming wires (purple (+) and gray (-)) and dimmer, using the included waterproof wire nuts.
2. Then, depending on voltage, connect the input wire to AC branch circuits as noted in figures 1-3. This should be in accordance with national and local codes. If 0-10V dimming is not needed, there is no need to connect the purple (+) and gray (-) wires. They can simply be capped off.
3. When wiring is complete, restore power at circuit breaker and subsequently switch on dimmer (if applicable).

## WIRING WITH SENSOR

1. When using the plug-in sensor (part # SC005 sold separately), any dimming is controlled through the sensor. Dimming wires do not need to be connected and can simply be capped off.
2. Then, depending on voltage, connect the input wire to AC branch circuits as noted in figures 1-3. This should be in accordance with national and local codes.
3. When wiring is complete, restore power at circuit breaker.

If using the sensor model, various settings can be customized using a remote control, part # SCR053 (sold separately). Instructions for sensor settings are included with each remote control.

### 120V & 277V

GROUND	○	GREEN
NEUTRAL	○	WHITE
LINE (HOT)	○	BLACK

figure 1

\*For 240V, follow 480V wiring instructions

### 480V

GROUND	○	GREEN
LINE 1 (HOT)	○	WHITE
LINE 2 (HOT)	○	BLACK

figure 2

\*For 347V, follow 120-277V wiring instructions

## WIRING DIAGRAM

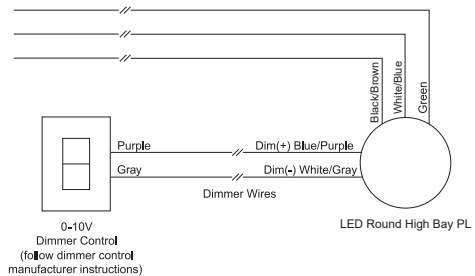


figure 3

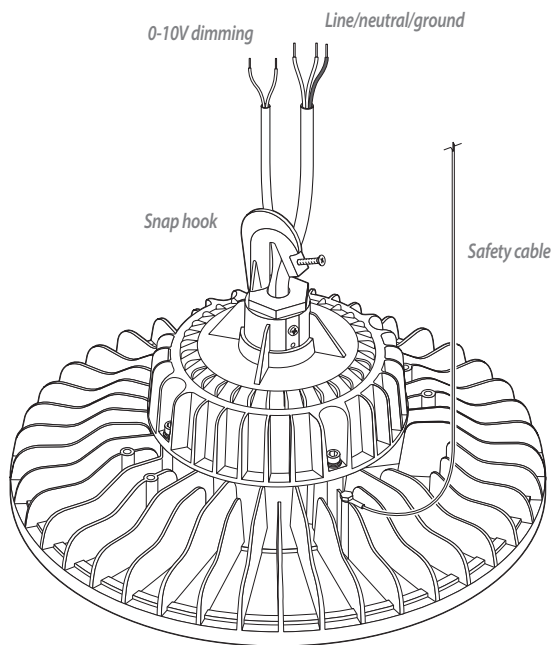
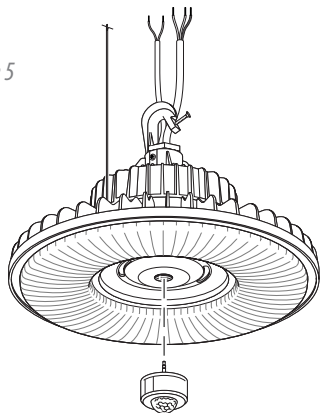


figure 4

### ATTACHING THE SENSOR

1. Unscrew and remove sensor port plug
2. Plug sensor (part # SC005 sold separately) into port and screw to tighten

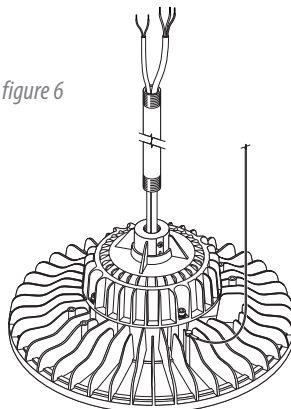
figure 5



### PENDANT MOUNTING

1. Unscrew snap hook
2. Insert and screw in 3/4" pipe

figure 6



Thank you for choosing

**LITETRONICS®**

6969 W. 73rd Street  
Bedford Park, IL 60638

WWW.LITETRONICS.COM

CustomerService@Litetronics.com or 1-800-860-3392



The information and product specifications contained in these instructions are based upon data believed to be accurate at the time of printing. This information is subject to change without notice and without incurring liability. If you have questions regarding specific product details, please contact us at 800-860-3392 or via email at customerservice@litetronics.com.

To check for an updated version of these instructions, please visit [www.litetronics.com](http://www.litetronics.com).

8/18/21