

storm **HIGH SPEED** Hand Dryer² **HAND DRYER**

LED Sensor

allows user to maximize the dryers efficiency



Antibacterial Coating

inhibits and reduces the ability for micro-organisms to grow

Innovative Absorbent Ceramic Plate (optional)

captures water runoff and keeps floors safe and dry

Adjustable Air Speed

for customizable settings that will maximize efficiency

On/Off Heater Switch



Removable Drip Tray

optional for high volume areas

Super 3-Layer HEPA Filter

HEPA, carbon, anti-microbial filter eliminates over 99% of airborne bacteria



MODEL: HD0983 | ULTRA SERIES



MODEL NUMBER & COLOR

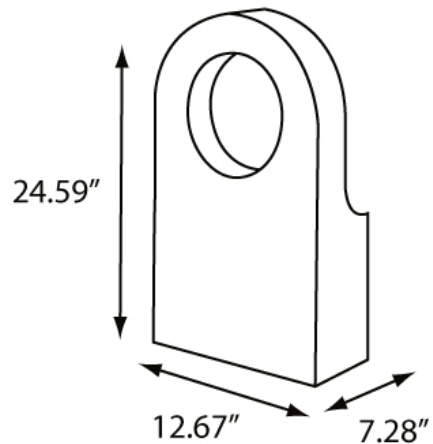
HD0983-08, HD0984-08, HD0985-08	Platinum
HD0983-16, HD0984-16, HD0985-16	Black
HD0983-17, HD0984-17, HD0985-17	White

COLOR OPTIONS

- (08) PLATINUM
- (16) BLACK
- (17) WHITE

TECHNICAL SPECIFICATIONS

Material: Polycarbonate ABS (ION+)		
Motor Type: 1HP, 350-700 Watts		
Thermal Protection: Motor Shuts Off at 275°F (135°C) Heater Shuts Off at 288°F (142°C)		
Operating Airflow: 19,476 LFM, Adjustable		
Air Output Temperature: 140°F (60°C) Ambient Temperature 68°F (20°C)		
Sound Level: 65dB - 78dB MAX		
Isolation: Class 1		
Drip Proof: IP23		
Watts: 1600W (700W w/ heater off)		
RPM: 11,000 - 20,000, Adjustable		
Voltage & Amps:		
HD0983	110/120 Volts	12.2-13.3 Amps
HD0984	208/220 Volts	5.7-6.6 Amps
HD0985 (special order)	277 Volts	6.6 Amps
Mounting: Surface		



MOUNTING HEIGHTS

from bottom of dryer to the finished floor

Men	26-1/6"
Women	23-5/64"
Children (4-10)	9-59/64"
Children (11-16)	15-5/64"
Disabled	13-5/8"

DIMENSIONS & WEIGHT

Width:	12.67"
Height:	24.59"
Depth:	7.28"
Weight:	23.8 lbs

ISTORM EXTRAS

Filter:	SP098399-002
Backsplash Kit:	SP098399-050
Drawer White:	SP098399-003
Drawer Platinum:	SP098399-004
Drawer Black:	SP098399-005
Cover White:	SP098399-012
Cover Platinum:	SP098399-013
Cover Black:	SP098399-011
Drain Tray:	SP098399-029

Phone: 920.884.8698
Toll-Free: 800.558.8678
Fax: 920.884.8699
Email: info@palmerfixture.com



Palmer Fixture
 PO BOX 10887
 Green Bay, WI 54307
Website: www.palmerfixture.com