

# HD0901

## AUTOMATIC HAND DRYER

### Low Maintenance

easy to clean surface  
and design

### Brushed Stainless

for a sleek,  
smooth appearance

### Durable Steel

heavy duty  
construction

### Vandal Resistant Screws

for peace of mind  
and security

### Automatic

touch-free on/off  
operation



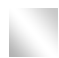

MODEL: HD0901 | CONVENTIONAL SERIES

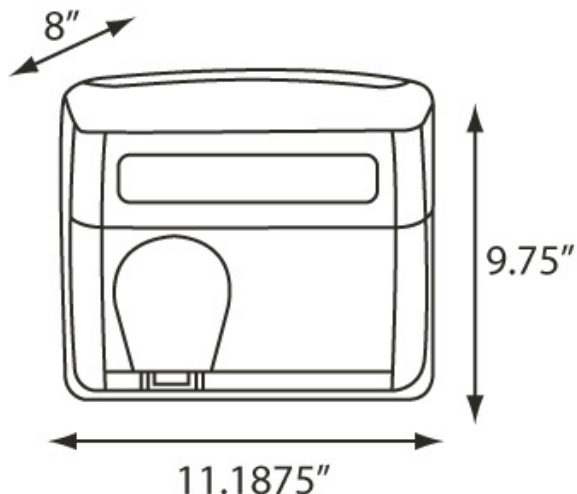
## MODEL NUMBER & COLOR



HD0901-11	Brushed Chrome
HD0901-17	White

## COLOR OPTIONS

-  (11) BRUSHED CHROME
-  (17) WHITE



## TECHNICAL SPECIFICATIONS

<b>Material:</b> Steel
<b>Motor Type:</b> 1/4HP, 200W Brush
<b>Thermal Protection:</b> Motor Shuts Off at 2221°F (105°C) Heater Shuts Off at 149°F (65°C)
<b>Operating Airflow:</b> 5,515 LFM
<b>Air Output Temperature:</b> 137.4°F (53°C) Ambient Temperature 68°F (20°C)
<b>Sound Level:</b> 70±dB
<b>Isolation:</b> Class 1
<b>Drip Proof:</b> IPX1
<b>Watts:</b> 1,800 - 2,200W
<b>RPM:</b> 5,500
<b>Voltage &amp; Amps:</b>
HD0901-11 110/120 Volts 18.3-20 Amps
HD0901-17 110/120 Volts 18.3-20 Amps
<b>Mounting:</b> Surface

## MOUNTING HEIGHTS

from bottom of dryer to the finished floor

<b>Men</b>	43"
<b>Women</b>	41"
<b>Children (3-10)</b>	33"
<b>Children (11-18)</b>	39"
<b>Disabled</b>	35"

## DIMENSIONS & WEIGHT

<b>Width:</b>	11.1875"
<b>Height:</b>	9.75"
<b>Depth:</b>	8"
<b>Weight:</b>	15.4 lbs



**Phone:** 920.884.8698  
**Toll-Free:** 800.558.8678  
**Fax:** 920.884.8699  
**Email:** info@palmerfixture.com



Palmer Fixture  
PO BOX 10887  
Green Bay, WI 54307  
**Website:** www.palmerfixture.com