

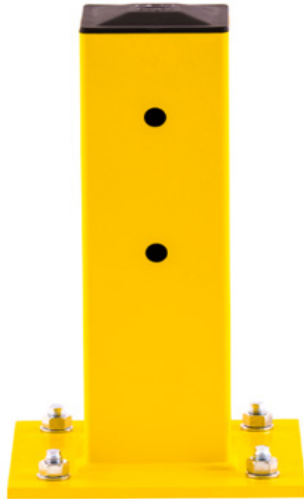
COLUMNS

Description

Double Rail: Standard 44"H columns are designed to support two parallel rails. Made from 5" x 5" x 1/8" thick steel welded to a 10" x 10" x 1/2" baseplate. Columns are punched with (4) 3/4"Ø holes on each side and are topped with a blast plastic cap. Baseplates are punched with (4) 3/4"Ø holes for floor anchors. Powder-coated safety yellow paint finish.

Single Rail: Standard 18" columns are designed to support one rail. Columns are punched with (2) 3/4"Ø holes on each side.

When properly installed, heavy-duty guardrail is engineered to withstand a 10,000 lb. impact at 4 mph.



18" HIGH COLUMN

PRODUCT INFORMATION

Assembly

Columns are available as two options, either with a centered base plate or an offset base plate. Columns with offset base plates allow it to be placed flush against an adjacent wall. Each option is designed for double or single guardrails. The base plates require 4 - 5/8" x 4 1/2" zinc plated floor anchors.

Specifications

Need it fast? This product is available for Accelerated Production. 2-week delivery on select components. See "Sizes" tab for details.

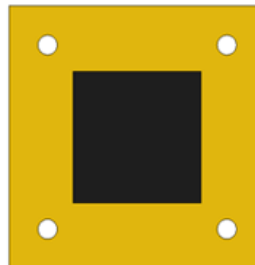
Accelerated Production orders are assembled using raw material that we keep in stock. This allow us to fast track your order through our abbreviated production process.

SPECIFICATIONS

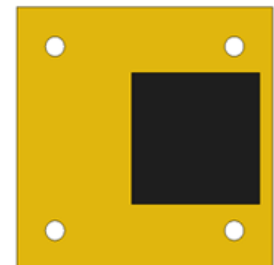
Column Height	18", 44"
Type of Column	Centered or Offset
Size	5" x 5" x 1/8" Thick
Finish	Powder-coated
Weight	18" Column including baseplate- 27 lbs 44" Column including baseplate- 45 lbs
Base Plate	10" x 10" x 1/2" Thick
Requires	5/8"x Ø 4 1/2" Floor Anchors (sold separately)

Type of Column

Centered Base Plate



Offset Base Plate





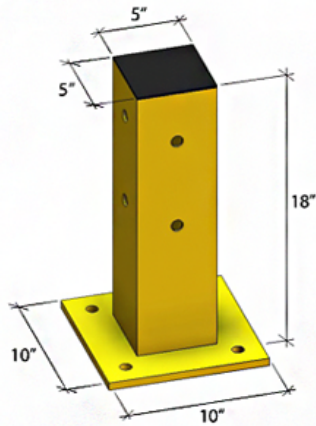
SIZES

Please consult the table below for a complete list of dimensions.

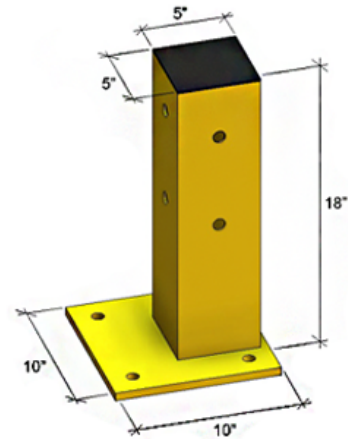
Sizes shown in blue are available for Accelerated Production.

ITEM DESCRIPTION	COLUMN HEIGHT	RAIL HEIGHT	ITEM #
Single Rail Column (5" x 5" column + centered 10" x 10" baseplate)	18"	17"	Item # G-GPSC
Single Rail Column (5" x 5" column + offset 10" x 10" baseplate)	18"	17"	Item # G-GPSO
Double Rail Column (5" x 5" column + centered 10" x 10" baseplate)	44"	42"	Item # G-GPDC
Double Rail Column (5" x 5" column + offset 10" x 10" baseplate)	44"	42"	Item # G-GPDO

ITEM # GPSC
 HEAVY DUTY GUARDRAIL-CENTERED
 SINGLE RAIL COLUMN
 5" X 5" COLUMN & CENTERED 10" X 10"
 BASE PLATE



ITEM # GPSO
 HEAVY DUTY GUARDRAIL-OFFSET
 SINGLE RAIL COLUMN
 5" X 5" COLUMN & CENTERED 10" X 10"
 BASE PLATE





Cogan
Since 1901



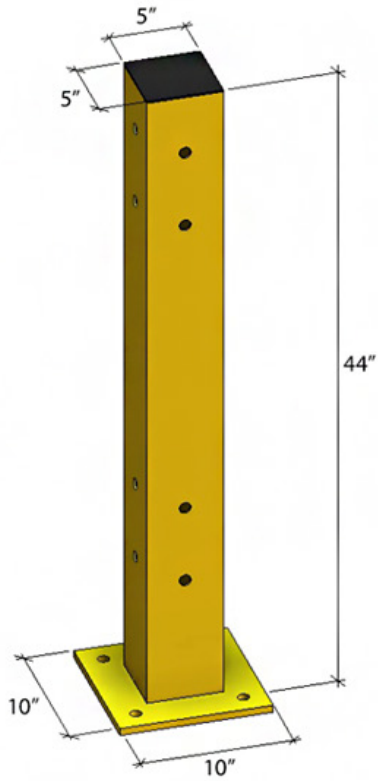
Guardrails
A Safe Workplace

cogan.com

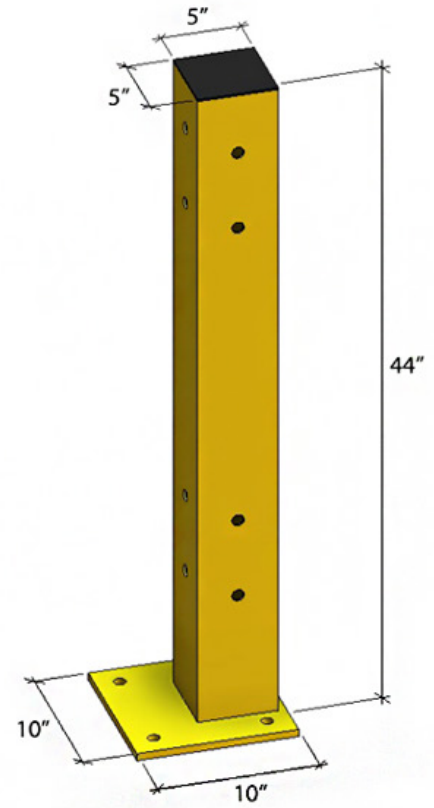
HEAVY - DUTY GUARDRAIL

SIZES

ITEM # GPDC
HEAVY DUTY GUARDRAIL-CENTERED
DOUBLE RAIL COLUMN
5" X 5" COLUMN & CENTERED 10" X 10"
BASE PLATE



ITEM # GPDO
HEAVY DUTY GUARDRAIL-OFFSET
DOUBLE RAIL COLUMN
5" X 5" COLUMN & CENTERED 10" X 10"
BASE PLATE





DETAILS

COLUMN SIZES

height: 18"

Columns are made of 5" x 5" x 1/8" thick steel tube.

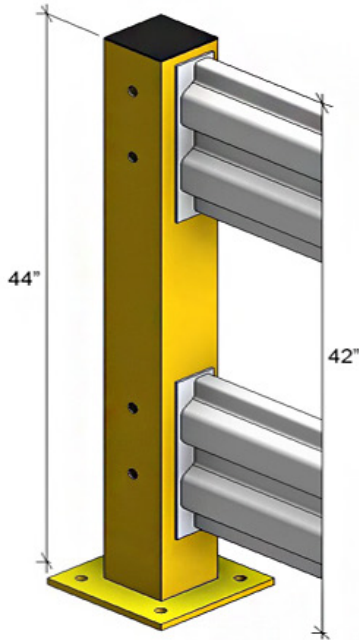
Base plates are made of 10" x 10" x 1/2" thick steel and are punched with four holes for 5/8" Ø x 4 1/2" floor anchors.

height: 44"

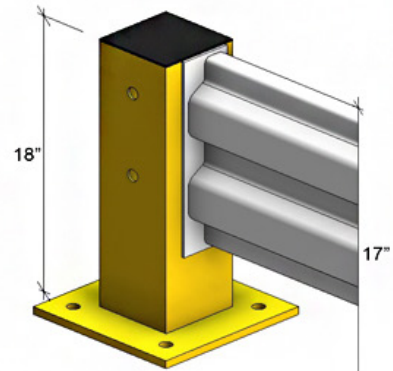
Columns are made of 5" x 5" x 1/8" thick steel tube.

Base plates are made of 10" x 10" x 1/2" thick steel and are punched with four holes for 5/8" Ø x 4 1/2" floor anchors.

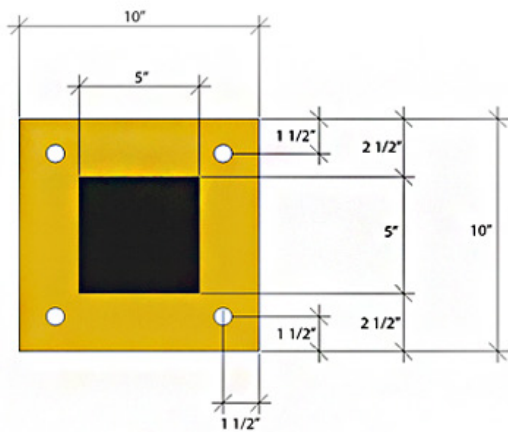
CENTERED
DOUBLE RAIL COLUMN



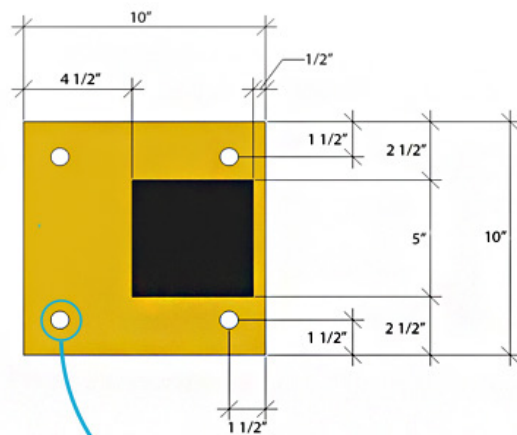
CENTERED
SINGLE RAIL COLUMN



PLAN VIEW
CENTER BASE PLATE



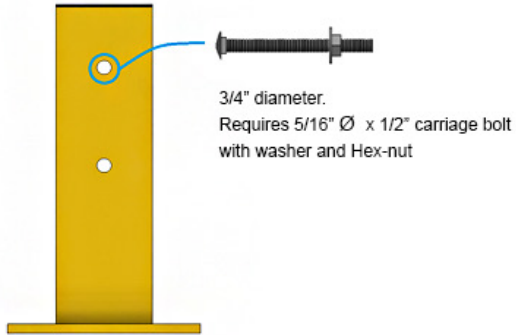
PLAN VIEW
OFFSET BASE PLATE



3/4" diameter
Requires 4- 5/8" Ø x 4 1/2"
floor anchors



DETAILS



HOW TO ORDER

LAYOUT EXAMPLE (PLAN VIEW)

