



RevScan Flash

Temperature Sensing KIOSK

Introducing the Howard **RevScan Flash** Temperature Sensing Kiosk

This Contactless Passive Detection Temperature-Sensing kiosk helps maintain a healthy environment for employees, customers, students, visitors, and the general public. This innovative gate-keeping solution can sense the temperature of anyone who passes through its sensors, allowing you to detect those with elevated temperatures. Designed for HR applications and ideal for businesses, schools and universities, restaurants, retailers, hospitals, clinics, and anywhere else you want to be proactive about avoiding the spread of infection.

Help safeguard your establishment from infection with kiosks from Howard and software from 22Miles

Kiosk Package

- HD Display
- Howard DR Mini-Desktop
 - Networking protection
 - Surge protection
 - Corrosion-resistant hardware
- Enclosure
 - Antimicrobial
 - Powder-coated
 - Cold-rolled steel

Solution Features

- Passive Detection:
 - 1 on 1 Application; visitors must walk up to the machine to be detected
- Active Detection:
 - Multiple user tracking from desk station
- Walk-Through Detection:
 - Similar to retail anti-theft devices; supports visual or audio alerts

Benefits

- Streamline facility gatekeeping
- Full-solution antimicrobial defense
- Fast, visual and audible feedback
- Active screening of open area traffic
- Easy-to-clean antimicrobial surfaces

Specs

- Width: 24 in
- Touchscreen: 21.5 in
- Depth: 18 in
- Weight: 108 lbs
- Height: 57.5 in

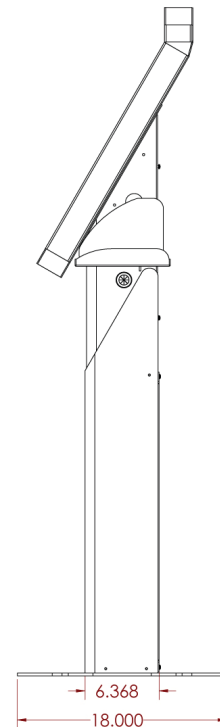
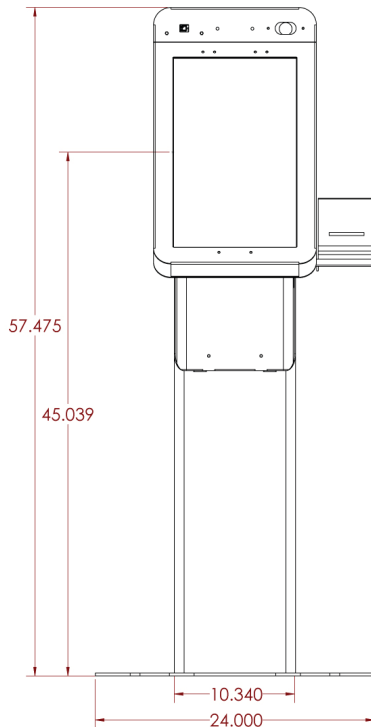
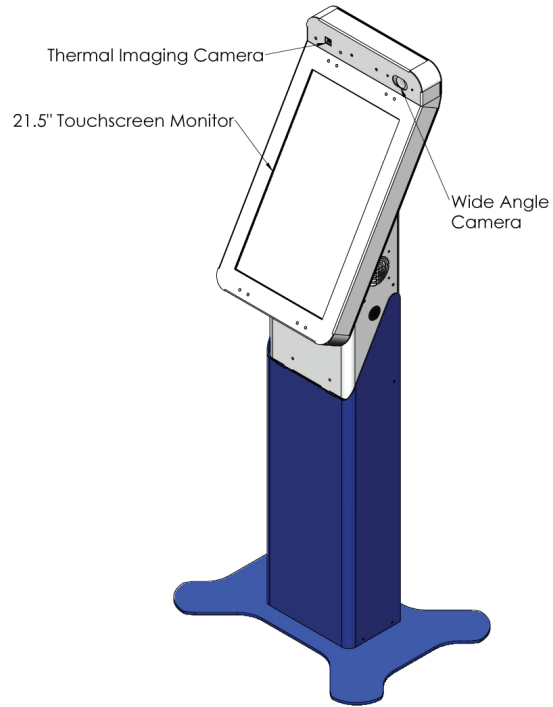
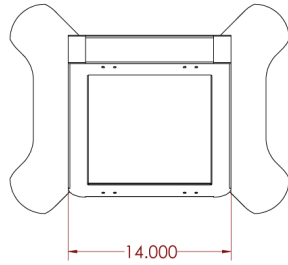
Experience the Howard Interactive Kiosk Advantage today!

howard-lighting.com | 800.956.3456

HOWARD[™]
LIGHTING PRODUCTS
a Division of Howard Industries, Inc.

HOWARD
INTERACTIVE

Howard RevScan Flash Pedestal Kiosk—Measurements & Isometric View



HOWARD[™]
LIGHTING PRODUCTS
a Division of Howard Industries, Inc.

Derral Ward - Utility
Vice President, Sales & Marketing
678.641.2984
dward@howard.com

Dirk Reader - C&I
Vice President, Lighting Distribution Sales
214.738.0220
dreader@howard.com

Bruce Bell
West C&I Rgnl. Mgr.
310.341.5435
bbell@howard.com

Chuck Frederking
Central C&I Rgnl. Mgr.
636.221.8717
cfrederking@howard.com

Chris Gosney
East C&I Rgnl. Mgr.
215.900.8383
cgosney@howard.com

Marcus Yahnke
Central Utility Rgnl. Mgr.
601.577.4230
myahnke@howard.com

Roy Manning
East Utility Rgnl. Mgr.
601.577.1497
rmanning@howard.com

Bruce Swenson
ESCO National Mgr.
847.951.0898
bswenson@howard.com