

Project Name:

Part Number:

# 1x4 FLAT LENS TROFFER RETROFIT KIT

## TROFFER RETROFIT



407-478-3759  
www.ilp-inc.com

### FEATURES

- American made
- Architectural design
- .040 Aluminum pre-painted housing
- One-piece unit with universal mounting brackets for rapid installation
- Post paint available
- Flat frosted acrylic lens easily removes for cleaning
- 3000K, 3500K, & 4000K colors available
- 0-10V Dimmable Driver (100%-1%)
- Universal Voltage (120-277V)
- EasySense Control Available
- 5 Year warranty
- ETL Listed
- DesignLights Consortium® Qualified Luminaire



### SUITABLE APPLICATIONS

- Office
- Hallways
- Multipurpose Rooms
- Conference Rooms

LED SYSTEMS INFO	19W	30W	45W
Calculated L <sub>70</sub> (TM-21)	>100K	>100K	>100K
Delivered Lumens	2,319 lm	3,561 lm	5,018 lm
Total Input Watts	19 W	30 W	45 W
Luminaire Efficacy Rating (LER)	124 lm/W	119 lm/W	112 lm/W
Correlated Color Temperature (CCT)	4000K	4000K	4000K
Color Rendering Index (CRI)	>80	>80	>80
Ambient Temperature Range	-4°F - 120°F	-4°F - 120°F	-4°F - 120°F
Universal Driver	120-277 V	120-277 V	120-277 V

LED System data above based on FLTR14-19WLED-UNIV-40, FLTR14-30WLED-UNIV-40 & FLTR14-45WLED-UNIV-40  
LED Lumen maintenance estimates based on TM-21 projections for the light source at 25°C ambient.

### ORDERING GUIDE:

Series	Watts	Driver	Color	Options
FLTR14 Flat Lens Troffer Retrofit 1x4	19WLED	UNIV 120-277V Driver	40	POSTP Post painted aluminum
	30WLED		35	ES EasySense Control
	45WLED		30	ES/PCD Pre-Installed app on control device
				ES/WWS EasySense Wall Switch
				SR Sensor ready driver for EasySense
				BLD Bi-Level Dim (controlled via 2 hot leads)
				DIMxx Factory set custom Dim Level (1% Dimming Driver)
				FI/ILBCP05** Factory Installed 5W LED Battery Backup
				FI/ILBCP07** Factory Installed 7W LED Battery Backup
				FI/ILBCP10** Factory Installed 10W LED Battery Backup
				FI/ILBCP12** Factory Installed 12W LED Battery Backup
				SD480* 480V Step Down Transformer
				SD347* 347V Step Down Transformer

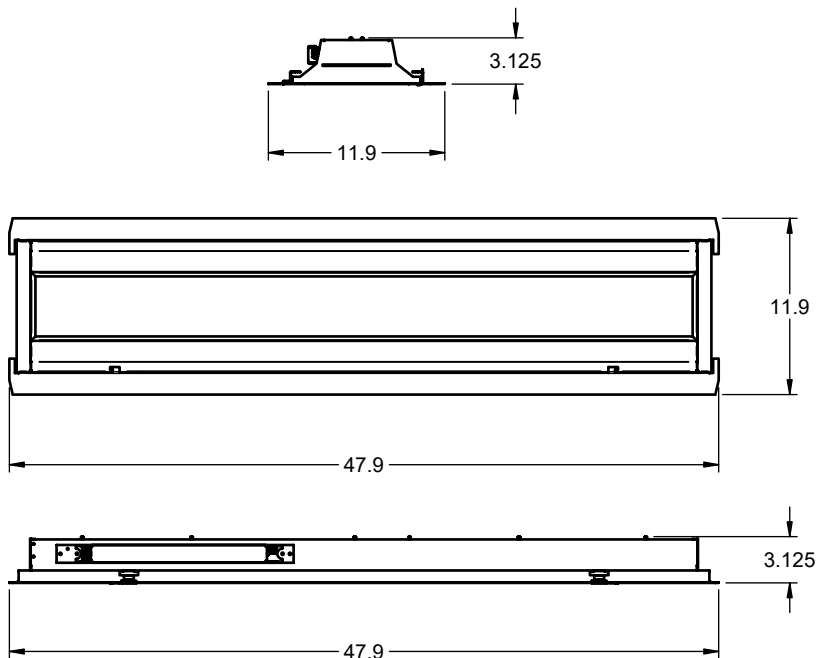
\* Does not qualify for DLC. Call factory for details.

\*\* Battery backup options see field installed LEDBB sheet.

# 1x4 FLAT LENS TROFFER RETROFIT KIT

## TROFFER RETROFIT

### LINE DRAWING



### PHOTOMETRIC REPORTS

Photometric values based upon tests performed in compliance w/ LM-79. Download IES files at [www.ilp-inc.com](http://www.ilp-inc.com)

