

CS000250

Sanitary Napkin Container



FEATURES

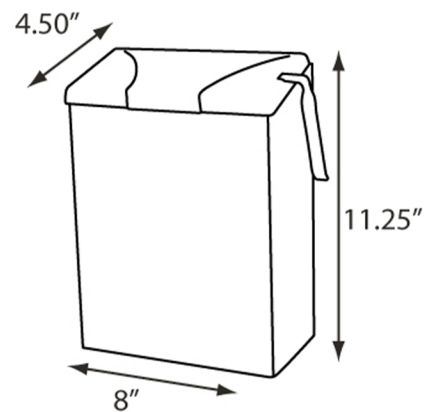
- Handle allows for easy opening and closing, without needing to touch the lid itself
- Unit opens from top and bottom to allow for ease of bag changing and trash removal
- Slim design allows unit to be mounted on bathroom stall panels
- Heavy duty metal construction
- Easy to clean surface inside and out

AVAILABLE COLORS



SPECIFICATIONS

Model #	CS000250-09 (Brushed Stainless) CS000250-17 (White)
Dimensions	8"W x 11.25"H x 4.50"D
Weight	3.16 lbs each
Case Pack	6 per case - 2.06' ³ Case Cube



Ph: 800.558.8678
Ph: 920.884.8698
Fax: 920.884.8699
info@palmerfixture.com



Palmer Fixture
P.O. Box 10887
Green Bay, WI 54307
www.palmerfixture.com